

# SKIL®

## HAMMER 1765 (F0151765 . . )



<b>GB</b>	INSTRUCTIONS	page 7	<b>PL</b>	INSTRUKCJA	strona 51
<b>F</b>	INSTRUCTIONS	page 10	<b>RU</b>	ИНСТРУКЦИИ	страница 55
<b>D</b>	HINWEISE	Seite 13	<b>UA</b>	ІНСТРУКЦІЯ	страница 59
<b>NL</b>	INSTRUCTIES	bladz. 16	<b>GR</b>	ΟΔΗΓΙΕΣ	σελίδα 62
<b>S</b>	INSTRUKTIONER	sida 20	<b>RO</b>	INSTRUCȚIUNI	pagina 66
<b>DK</b>	INSTRUKTION	side 23	<b>BG</b>	УКАЗАНИЕ	страница 70
<b>N</b>	ANVISNING	side 26	<b>SK</b>	POKYNY	strana 73
<b>FIN</b>	OHJEET	sivu 28	<b>HR</b>	UPUTE	stranica 77
<b>E</b>	INSTRUCCIONES	pág. 31	<b>SCG</b>	UPUTSTVA	stranica 80
<b>P</b>	INSTRUÇÕES	pág. 35	<b>SLO</b>	NAVODILA	stran 82
<b>I</b>	ISTRUZIONI	pag. 38	<b>EST</b>	KASUTUSJUHEND	lehekülg 85
<b>H</b>	LEÍRÁS	oldal 42	<b>LV</b>	INSTRUKCIJA	lappuse 89
<b>CZ</b>	POKYNY	strana 45	<b>LT</b>	INSTRUKCIJA	puslapis 92
<b>TR</b>	KILAVUZ	sayfa 48			

[www.skileurope.com](http://www.skileurope.com)

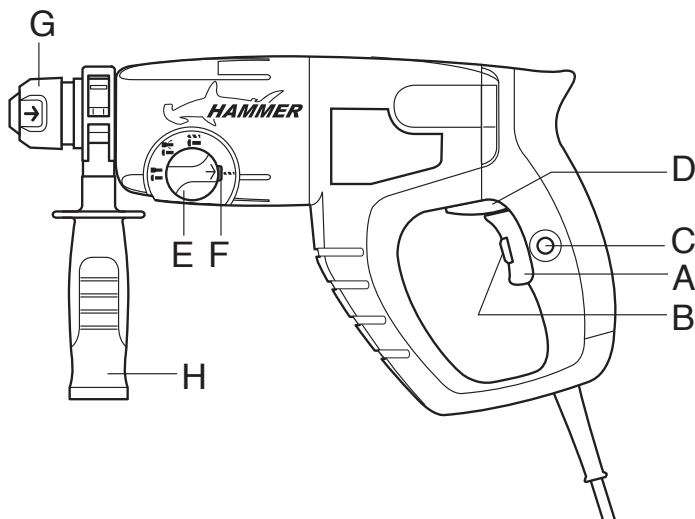


1 1765

900 W  
3,3 kg



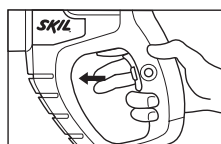
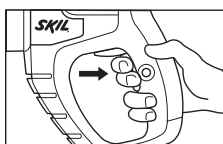
2

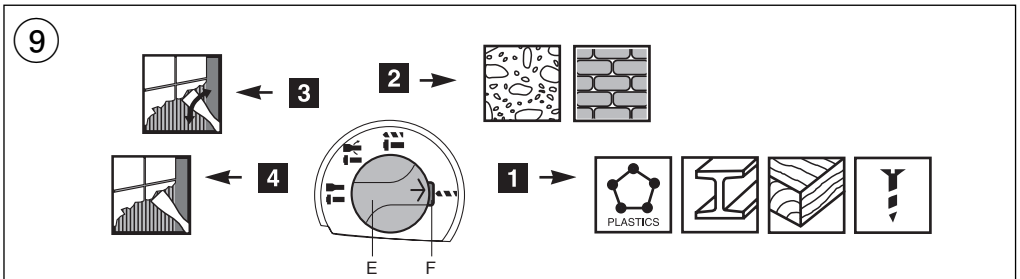
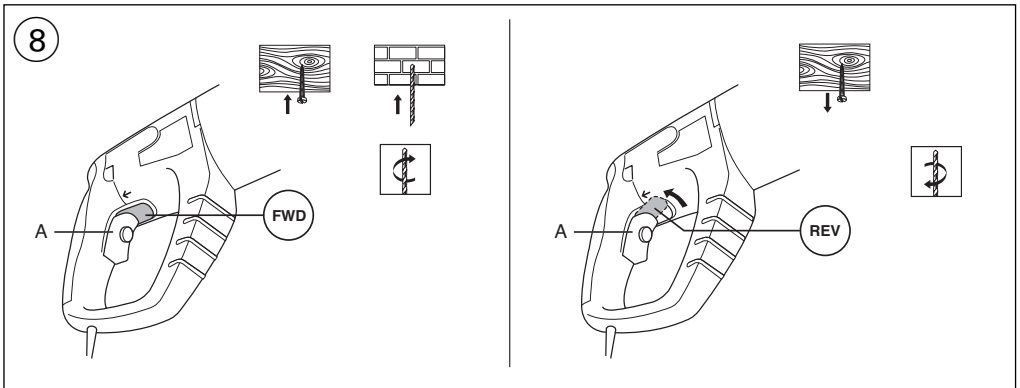
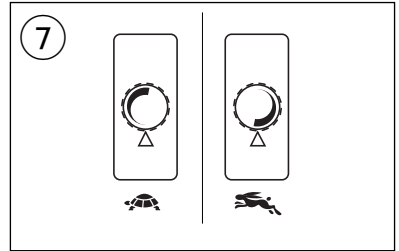
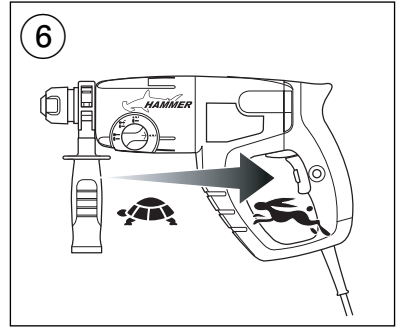
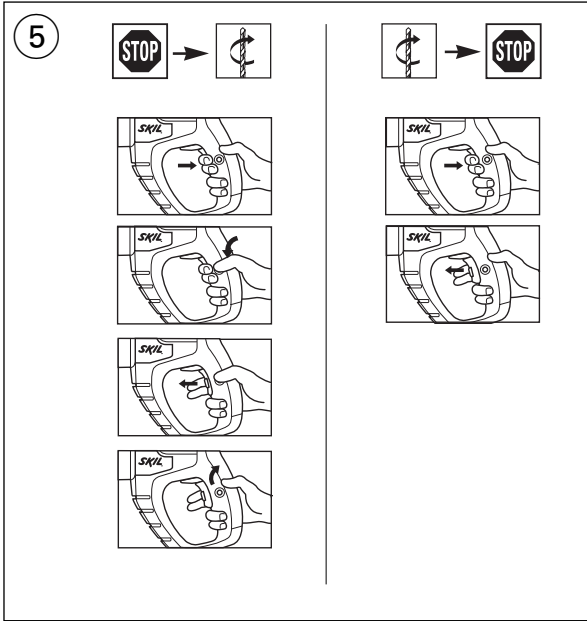


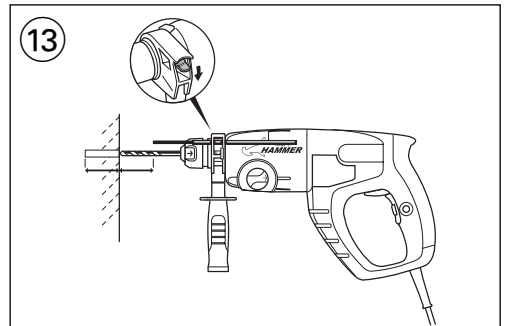
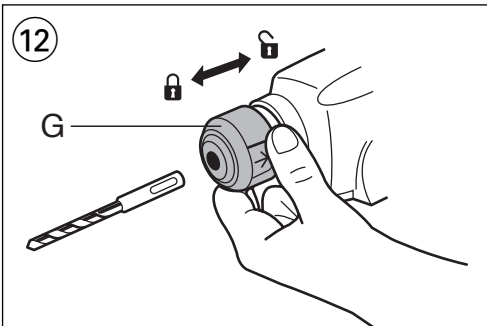
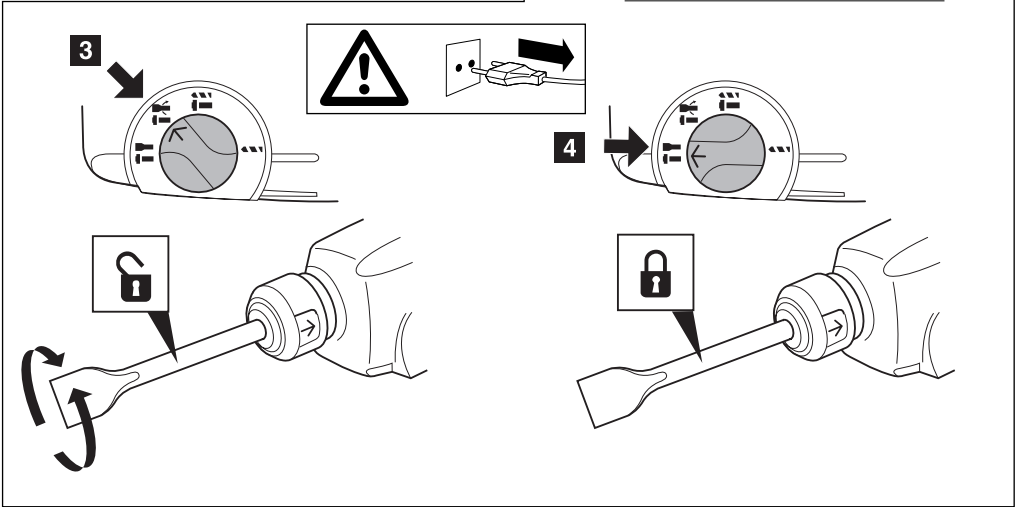
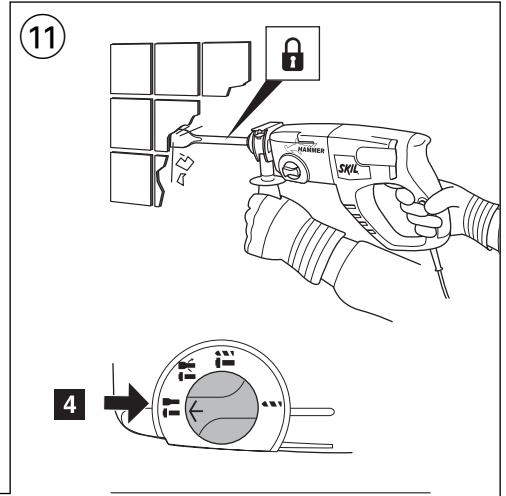
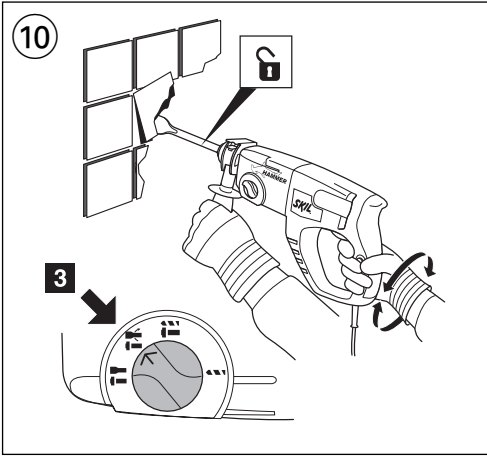
3

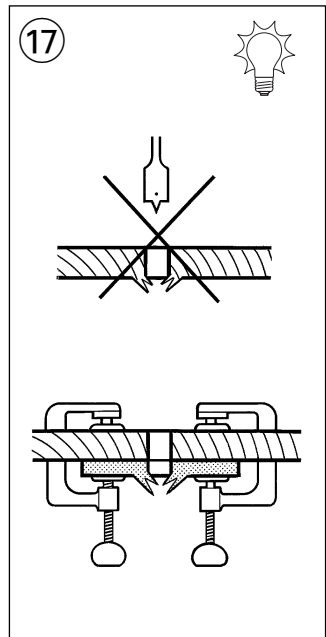
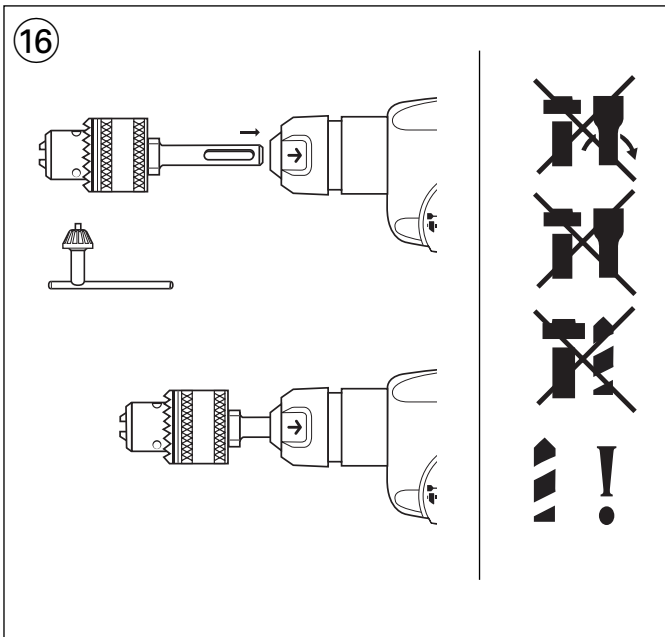
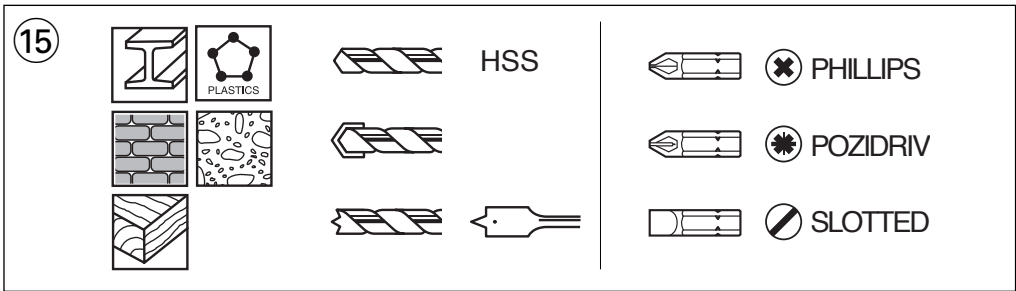
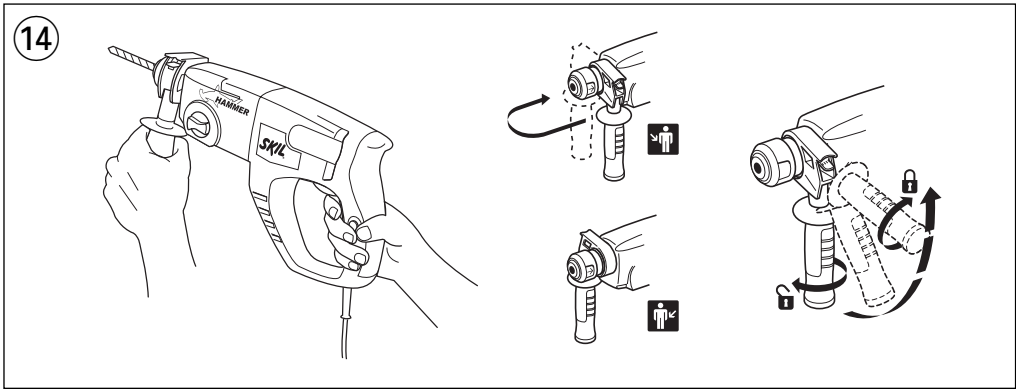


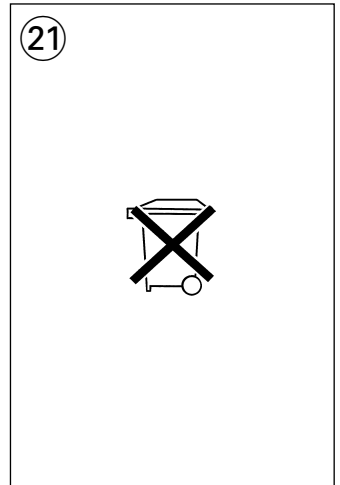
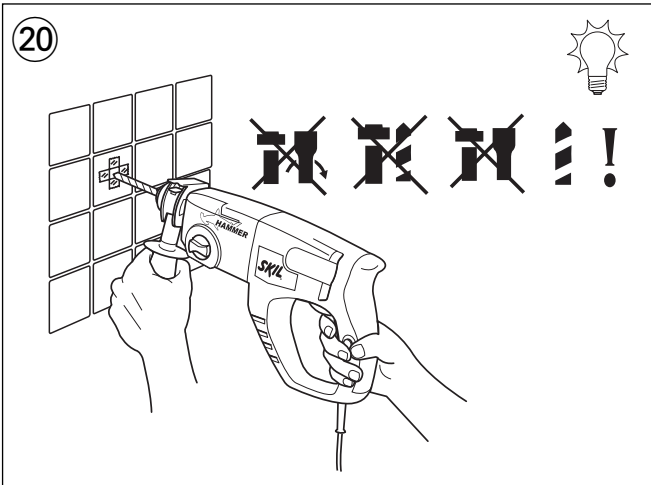
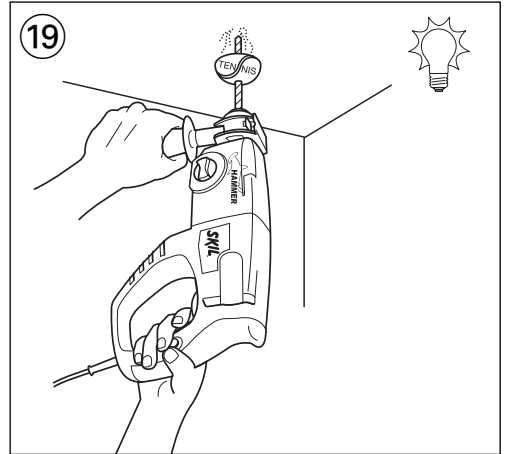
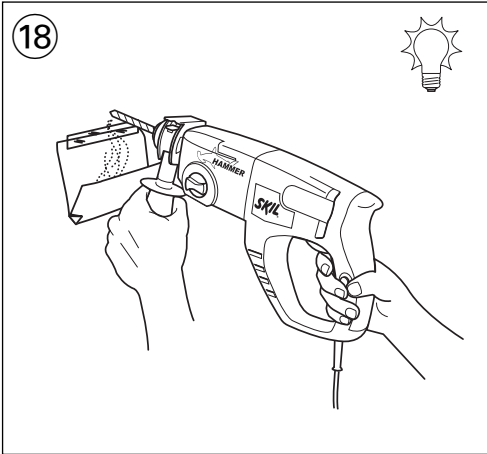
4











ACCESSORIES		SKIL Nr.
	13 mm	 2610395660
	Ø 6, 8, 10, 12, 16 mm	 2610395766

## INTRODUCTION

- This tool is intended for hammer drilling in concrete, brick and stone as well as for light chiseling work; for drilling in wood, metal and plastic as well as for screwdriving specific accessories should be used
- The hammering system in this tool outperforms any traditional ratcheting drill when drilling in concrete
- This tool is designed for use in combination with all standard SDS+ accessories
- Read and save this instruction manual ③

## TECHNICAL SPECIFICATIONS ①

### TOOL ELEMENTS ②

- A Switch for on/off and speed control
- B Wheel for maximum speed control
- C Button for switch locking
- D Lever for changing direction of rotation
- E Switch for selecting operating mode
- F Unlocking button
- G Locking sleeve
- H Auxiliary handle

## SAFETY

### GENERAL SAFETY INSTRUCTIONS

**⚠ WARNING! Read all safety warnings and all instructions.** Failure to follow the warnings and instructions may result in electric shock, fire and/or serious injury. **Save all warnings and instructions for future reference.** The term “power tool” in the warnings refers to your mains-operated (corded) power tool.

#### 1) WORK AREA SAFETY

- a) **Keep work area clean and well lit.** Cluttered or dark areas invite accidents.
- b) **Do not operate power tools in explosive atmospheres, such as in the presence of flammable liquids, gases or dust.** Power tools create sparks which may ignite the dust or fumes.
- c) **Keep children and bystanders away while operating a power tool.** Distractions can cause you to lose control.

#### 2) ELECTRICAL SAFETY

- a) **Power tool plugs must match the outlet. Never modify the plug in any way. Do not use any adapter plugs with earthed (grounded) power tools.** Unmodified plugs and matching outlets will reduce risk of electric shock.

- b) **Avoid body contact with earthed or grounded surfaces such as pipes, radiators, ranges and refrigerators.** There is an increased risk of electric shock if your body is earthed or grounded.
- c) **Do not expose power tools to rain or wet conditions.** Water entering a power tool will increase the risk of electric shock.
- d) **Do not abuse the cord. Never use the cord for carrying, pulling or unplugging the power tool. Keep cord away from heat, oil, sharp edges or moving parts.** Damaged or entangled cords increase the risk of electric shock.
- e) **When operating a power tool outdoors, use an extension cord suitable for outdoor use.** Use of a cord suitable for outdoor use reduces the risk of electric shock.
- f) **If operating a power tool in a damp location is unavoidable, use an earth leakage circuit breaker.** Use of an earth leakage circuit breaker reduces the risk of electric shock.

#### 3) PERSONAL SAFETY

- a) **Stay alert, watch what you are doing and use common sense when operating a power tool. Do not use a power tool while you are tired or under the influence of drugs, alcohol or medication.** A moment of inattention while operating power tools may result in serious personal injury.
  - b) **Use personal protective equipment. Always wear eye protection.** Protective equipment such as dust mask, non-skid safety shoes, hard hat, or hearing protection used for appropriate conditions will reduce personal injuries.
  - c) **Prevent unintentional starting. Ensure the switch is in the off-position before connecting to power source, picking up or carrying the tool.** Carrying power tools with your finger on the switch or energising power tools that have the switch on invites accidents.
  - d) **Remove any adjusting key or wrench before turning the power tool on.** A wrench or a key left attached to a rotating part of the power tool may result in personal injury.
  - e) **Do not overreach. Keep proper footing and balance at all times.** This enables better control of the power tool in unexpected situations.
  - f) **Dress properly. Do not wear loose clothing or jewellery. Keep your hair, clothing and gloves away from moving parts.** Loose clothes, jewellery or long hair can be caught in moving parts.
  - g) **If devices are provided for the connection of dust extraction and collection facilities, ensure these are connected and properly used.** Use of dust collection can reduce dust-related hazards.
- #### 4) POWER TOOL USE AND CARE
- a) **Do not force the power tool. Use the correct power tool for your application.** The correct power tool will do the job better and safer at the rate for which it was designed.

- b) **Do not use the power tool if the switch does not turn it on and off.** Any power tool that cannot be controlled with the switch is dangerous and must be repaired.
  - c) **Disconnect the plug from the power source before making any adjustments, changing accessories, or storing power tools.** Such preventive safety measures reduce the risk of starting the power tool accidentally.
  - d) **Store idle power tools out of the reach of children and do not allow persons unfamiliar with the power tool or these instructions to operate the power tool.** Power tools are dangerous in the hands of untrained users.
  - e) **Maintain power tools. Check for misalignment or binding of moving parts, breakage of parts and any other condition that may affect the power tool's operation. If damaged, have the power tool repaired before use.** Many accidents are caused by poorly maintained power tools.
  - f) **Keep cutting tools sharp and clean.** Properly maintained cutting tools with sharp cutting edges are less likely to bind and are easier to control.
  - g) **Use the power tool, accessories and tool bits etc., in accordance with these instructions, taking into account the working conditions and the work to be performed.** Use of the power tool for operations different from those intended could result in a hazardous situation.
- 5) **SERVICE**
- a) **Have your power tool serviced by a qualified repair person using only identical replacement parts.** This will ensure that the safety of the power tool is maintained.

## SAFETY INSTRUCTIONS FOR HAMMERS

- **Wear ear protectors with hammer drills** (exposure to noise can cause hearing loss)
- **Use auxiliary handles supplied with the tool** (loss of control can cause personal injury)
- Avoid damage that can be caused by screws, nails and other elements in your workpiece; remove them before you start working
- Always keep the cord away from moving parts of the tool
- **Secure the workpiece** (a workpiece clamped with clamping devices or in a vice is held more securely than by hand)
- When you put away the tool, switch off the motor and ensure that all moving parts have come to a complete standstill
- Use completely unrolled and safe extension cords with a capacity of 16 Amps (U.K. 13 Amps)
- In case of electrical or mechanical malfunction, immediately switch off the tool and disconnect the plug
- SKIL can assure flawless functioning of the tool only when original accessories are used
- Use only accessories with an allowable speed matching at least the highest no-load speed of the tool

- This tool should not be used by people under the age of 16 years
  - **Use suitable detectors to find hidden utility lines or call the local utility company for assistance** (contact with electric lines can lead to fire or electrical shock; damaging a gas line can result in an explosion; penetrating a water pipe will cause property damage or an electrical shock)
  - **Hold the power tool only by the insulated gripping surfaces when performing an operation where the accessory may contact hidden wiring or its own power cord** (contact with a "live" wire will also make exposed metal parts of the power tool "live" and shock the operator)
  - **Do not work materials containing asbestos** (asbestos is considered carcinogenic)
  - **Take protective measures when during work dust can develop that is harmful to one's health, combustible or explosive** (some dusts are considered carcinogenic); wear a dust mask and work with dust/chip extraction when connectable
  - If the cord is damaged or cut through while working, do not touch the cord, but immediately disconnect the plug
  - Never use tool when cord is damaged; have it replaced by a qualified person
  - Always check that the supply voltage is the same as the voltage indicated on the nameplate of the tool (tools with a rating of 230V or 240V can also be connected to a 220V supply)
  - If the drill bit becomes unexpectedly jammed (causing a sudden, dangerous reaction), immediately switch off the tool
  - Be aware of the forces that occur as a result of jamming (especially when drilling metals); **always use auxiliary handle H** ② and take a secure stance
  - **Always disconnect plug from power source before making any adjustment or changing any accessory**
- WHEN CONNECTING NEW 3-PIN PLUG (U.K. ONLY):
- Do not connect the blue (= neutral) or brown (= live) wire in the cord of this tool to the earth terminal of the plug
  - If for any reason the old plug is cut off the cord of this tool, it must be disposed of safely and not left unattended

## USE

- On/off ④
  - Switch locking for continuous use ⑤
  - Speed control for smooth starting ⑥
  - Maximum speed control ⑦
- With wheel B ② the maximum speed can be adjusted steplessly from minimum to maximum
- Changing direction of rotation ⑧
    - when not properly set in left/right position, switch A cannot be activated
- ! change direction of rotation only when tool is at a complete standstill**



- Selecting operating mode ⑨
  - press button F to unlock switch E
  - turn switch E to the desired operating mode until it snap-locks
- ! **start working only when switch E is locked**
  - 1 = normal drilling/screwdriving
  - 2 = hammer drilling
  - 3 = chiseling with rotating chisel
  - 4 = chiseling with fixed chisel
- ! **select operating mode only when tool is switched off**
  - for drilling in wood, metal and plastic as well as for screwdriving the corresponding adapter should be used (see: Application Advice)
  - the hammer mechanism is activated by applying a slight pressure on the tool when the drill bit is in contact with the workpiece
  - best hammer drilling results can be obtained by only a slight pressure on the tool needed to keep the automatic clutch engaged; drilling performance will not improve by applying more pressure on the tool: SKIL LETS THE TOOL WORK FOR YOU
- Chiseling with rotating chisel ⑩
  - ! **switch off the tool and disconnect the plug**
  - select "rotating" chiseling mode
- Chiseling with fixed chisel ⑪
  - ! **switch off the tool and disconnect the plug**
  - select "rotating" chiseling mode
  - place chisel in desired position
  - select "fixed" chiseling mode
- Changing bits ⑫
  - clean and lightly lubricate accessory before insertion
  - pull back locking sleeve G and insert accessory in SDS+ chuck while turning and pushing it until it engages; the accessory locks in position automatically
  - pull accessory to check that it is locked correctly
  - remove accessory by pulling back locking sleeve G
  - ! **the SDS+ accessory requires freedom of movement which causes eccentricity when tool is off-load; however, the accessory automatically centres itself during operation without affecting drilling precision**
  - ! **do not use bits/chisels with a damaged shank**
- Safety clutch
  - If the accessory gets jammed, the drive to the spindle is interrupted (causing a rattling noise)
  - immediately switch off tool
  - remove the jammed accessory
  - switch on tool again
- Adjusting drilling depth ⑬
- Holding and guiding the tool ⑭
  - **always use auxiliary handle H ②** (can be adjusted as illustrated)
  - keep the ventilation slots uncovered
  - do not apply too much pressure on the tool; let the tool do the work for you

## APPLICATION ADVICE

- Use the appropriate bits ⑮
  - ! **only use sharp bits/chisels**
- For drilling in wood, metal and plastic as well as for screwdriving use the corresponding adapter (SKIL accessory 2610395660) ⑯
  - clean and lightly lubricate adapter before insertion
  - pull back locking sleeve G ② and insert adapter in SDS+ chuck while turning and pushing it until it engages; the adapter locks in position automatically
  - pull adapter to check whether it is locked correctly
  - set switch E ② to normal drilling (**only activate when tool is switched off**)
- When drilling ferrous metals
  - pre-drill a smaller hole, when a large hole is required
  - lubricate drill bit occasionally with oil
- When turning in a screw at/near the cross cut end or an edge of wood, pre-drill a hole in order to avoid cracking of the wood
- Splinterfree drilling in wood ⑰
- Dustfree drilling in walls ⑱
- Dustfree drilling in ceilings ⑲
- Drilling in tiles without skidding ⑳
- For more tips see [www.skileurope.com](http://www.skileurope.com)

## GUARANTEE / ENVIRONMENT

- Always keep tool and cord clean (especially the ventilation slots)
  - ! **disconnect the plug before cleaning**
- This SKIL product is guaranteed in accordance with statutory/country-specific regulations; damage due to normal wear and tear, overload or improper handling will be excluded from the guarantee
- In case of a complaint, send the tool **undismantled** together with proof of purchase to your dealer or the nearest SKIL service station (addresses as well as the service diagram of the tool are listed on [www.skileurope.com](http://www.skileurope.com))
- **Do not dispose of electric tools, accessories and packaging together with household waste material** (only for EU countries)
  - in observance of European Directive 2002/96/EC on waste of electric and electronic equipment and its implementation in accordance with national law, electric tools that have reached the end of their life must be collected separately and returned to an environmentally compatible recycling facility
  - symbol ㉑ will remind you of this when the need for disposing occurs

## INTRODUCTION

- L'outil est conçu pour le perçage de percussion dans le béton, la brique et dans la pierre naturelle ainsi que pour d'autres travaux de burinage légers; pour le perçage dans le bois, le métal et les matières plastiques ainsi que pour le vissage il est nécessaire d'utiliser des accessoires spécifiques
- Le système de percussion de cet outil surpasse largement la performance des perceuses à percussion traditionnelles lorsqu'il est utilisé dans le béton
- Cet outil convient parfaitement pour une utilisation avec tous les accessoires SDS+ standards
- Lisez et conservez ce manuel d'instructions ③

## SPECIFICATIONS TECHNIQUES ①

### ELEMENTS DE L'OUTIL ②

- A Interrupteur de marche/arrêt et réglage de vitesse
- B Molette de réglage de la vitesse maximum
- C Bouton de blocage de l'interrupteur
- D Levier pour inverser le sens de rotation
- E Commutateur pour sélectionner le mode de fonctionnement
- F Bouton de déblocage
- G Douille de verrouillage
- H Poignée auxiliaire

## SECURITE

### INSTRUCTIONS GENERALES DE SECURITE

**⚠ ATTENTION! Lisez tous les avertissements de sécurité et toutes les instructions.** Ne pas suivre les avertissements et instructions peut entraîner un choc électrique, un incendie et/ou de graves blessures sur les personnes. **Conservez tous les avertissements et toutes les instructions pour pouvoir s'y reporter ultérieurement.** La notion d'"outil électroportatif" dans les avertissements se rapporte à des outils électriques raccordés au secteur (avec câble de raccordement).

#### 1) SECURITE DE LA ZONE DE TRAVAIL

- a) **Maintenez l'endroit de travail propre et bien éclairé.** Un lieu de travail en désordre ou mal éclairé augmente le risque d'accidents.
- b) **N'utilisez pas l'outil dans un environnement présentant des risques d'explosion et où se trouvent des liquides, des gaz ou poussières inflammables.** Les outils électroportatifs génèrent des étincelles risquant d'enflammer les poussières ou les vapeurs.

c) **Tenez les enfants et autres personnes éloignés durant l'utilisation de l'outil électroportatif.** En cas d'inattention vous risquez de perdre le contrôle sur l'outil.

#### 2) SECURITE RELATIVE AU SYSTEME ELECTRIQUE

- a) **La fiche de secteur de l'outil électroportatif doit être appropriée à la prise de courant. Ne modifiez en aucun cas la fiche. N'utilisez pas de fiches d'adaptateur avec des outils avec mise à la terre.** Les fiches non modifiées et les prises de courant appropriées réduisent le risque de choc électrique.
- b) **Évitez le contact physique avec des surfaces mises à la terre telles que tuyaux, radiateurs, fours et réfrigérateurs.** Il y a un risque élevé de choc électrique au cas où votre corps serait relié à la terre.
- c) **N'exposez pas l'outil électroportatif à la pluie ou à l'humidité.** La pénétration d'eau dans un outil électroportatif augmente le risque d'un choc électrique.
- d) **N'utilisez pas le câble à d'autres fins que celles prévues, n'utilisez pas le câble pour porter l'outil ou pour l'accrocher ou encore pour le débrancher de la prise de courant. Maintenez le câble éloigné des sources de chaleur, des parties grasses, des bords tranchants ou des parties de l'outil en rotation.** Un câble endommagé ou torsadé augmente le risque d'un choc électrique.
- e) **Au cas où vous utiliseriez l'outil électroportatif à l'extérieur, utilisez une rallonge autorisée homologuée pour les applications extérieures.** L'utilisation d'une rallonge électrique homologuée pour les applications extérieures réduit le risque d'un choc électrique.
- f) **Si l'usage d'un outil dans un emplacement humide est inévitable, utilisez un disjoncteur de fuite à la terre.** L'utilisation d'un disjoncteur de fuite à la terre réduit le risque de choc électrique.

#### 3) SECURITE DES PERSONNES

- a) **Restez vigilant, surveillez ce que vous faites. Faites preuve de bon sens en utilisant l'outil électroportatif. N'utilisez pas l'outil lorsque vous êtes fatigué ou après avoir consommé de l'alcool, des drogues ou avoir pris des médicaments.** Un moment d'inattention lors de l'utilisation de l'outil peut entraîner de graves blessures sur les personnes.
- b) **Portez des équipements de protection. Portez toujours des lunettes de protection.** Le fait de porter des équipements de protection personnels tels que masque anti-poussières, chaussures de sécurité antidérapantes, casque de protection ou protection acoustique suivant le travail à effectuer, réduit le risque de blessures.
- c) **Évitez tout démarrage intempestif. S'assurez que l'interrupteur est en position arrêt avant de brancher l'outil au secteur, de le ramasser ou de le porter.** Porter les outils en ayant le doigt sur l'interrupteur ou brancher des outils dont l'interrupteur est en position marche est source d'accidents.

- d) **Enlevez tout outil de réglage ou toute clé avant de mettre l'outil en fonctionnement.** Une clé ou un outil se trouvant sur une partie en rotation peut causer des blessures.
- e) **Ne surestimez pas vos capacités. Veillez à garder toujours une position stable et équilibrée.** Ceci vous permet de mieux contrôler l'outil dans des situations inattendues.
- f) **Portez des vêtements appropriés. Ne portez pas de vêtements amples ni de bijoux. Maintenez cheveux, vêtements et gants éloignés des parties de l'outil en rotation.** Des vêtements amples, des bijoux ou des cheveux longs peuvent être happés par des pièces en mouvement.
- g) **Si des dispositifs servant à aspirer ou à recueillir les poussières doivent être utilisés, vérifiez que ceux-ci soient effectivement raccordés et qu'ils sont correctement utilisés.** L'utilisation des collecteurs de poussière réduit les dangers dus aux poussières.
- 4) UTILISATION ET EMPLOI SOIGNEUX DE L'OUTIL ELECTROPORTATIF**
- a) **Ne surchargez pas l'outil. Utilisez l'outil électroportatif approprié au travail à effectuer.** Avec l'outil électroportatif approprié, vous travaillerez mieux et avec plus de sécurité à la vitesse pour laquelle il est prévu.
- b) **N'utilisez pas un outil électroportatif dont l'interrupteur est défectueux.** Un outil électroportatif qui ne peut plus être mis en ou hors fonctionnement est dangereux et doit être réparé.
- c) **Retirez la fiche de la prise de courant avant d'effectuer des réglages sur l'outil, de changer les accessoires, ou de ranger l'outil.** Cette mesure de précaution empêche une mise en fonctionnement par mégarde.
- d) **Gardez les outils électroportatifs non utilisés hors de portée des enfants. Ne permettez pas l'utilisation de l'outil à des personnes qui ne se sont pas familiarisées avec celui-ci ou qui n'ont pas lu ces instructions.** Les outils électroportatifs sont dangereux lorsqu'ils sont utilisés par des personnes non initiées.
- e) **Prenez soin des outils électroportatifs. Vérifiez que les parties en mouvement fonctionnent correctement et qu'elles ne soient pas coincées, et contrôlez si des parties sont cassées ou endommagées de telle sorte que le bon fonctionnement de l'outil s'en trouve entravé. Faites réparer les parties endommagées avant d'utiliser l'outil.** De nombreux accidents sont dus à des outils électroportatifs mal entretenus.
- f) **Maintenez les outils de coupe aiguisés et propres.** Des outils soigneusement entretenus avec des bords tranchants bien aiguisés se coincent moins souvent et peuvent être guidés plus facilement.

- g) **Utilisez les outils électroportatifs, les accessoires, les outils à monter etc. conformément à ces instructions en tenant compte des conditions de travail et du travail à effectuer.** L'utilisation des outils électroportatifs à d'autres fins que celles prévues peut entraîner des situations dangereuses.

#### **5) SERVICE**

- a) **Ne faites réparer votre outil que par un personnel qualifié et seulement avec des pièces de rechange d'origine.** Ceci permet d'assurer la sécurité de l'outil.

#### **INSTRUCTIONS DE SECURITE POUR PERFORATEURS**

- **Munissez-vous de casques anti-bruit en utilisant des perceuses à percussion** (l'exposition au bruit peut entraîner la perte d'audition)
- **Utilisez les poignées auxiliaires livrées avec l'outil** (la perte de contrôle peut entraîner des blessures)
- Faites attention aux vis, clous ou autres éléments qui pourraient se trouver dans la pièce à travailler et qui risqueraient d'endommager très fortement votre outil; enlevez-les avant de commencer le travail
- Tenez toujours le câble éloigné des parties mobiles de l'outil
- **Fixez solidement la pièce à travailler** (une pièce fixée à l'aide de dispositifs de fixation est davantage assurée que si elle était tenue à la main)
- Lorsque vous rangez votre outil, le moteur doit être coupé et les pièces mobiles complètement arrêtées
- Utilisez un câble de prolongement complètement déroulé et de bonne qualité d'une capacité de 16 A
- En cas de dysfonctionnement électrique ou mécanique, mettez directement l'outil hors service et débranchez la fiche
- SKIL ne peut se porter garant du bon fonctionnement de cet outil que s'il a été utilisé avec les accessoires d'origine
- La vitesse admissible des accessoires utilisées doit être au moins aussi élevée que la vitesse à vide maximale de l'outil
- Cet outil ne doit pas être utilisé par des personnes de moins de 16 ans
- **Utilisez des détecteurs appropriés afin de localiser la présence de conduites électriques ou bien s'adresser à la société locale de distribution** (un contact avec des lignes électriques peut provoquer un incendie et une décharge électrique; le fait d'endommager une conduite de gaz peut entraîner une explosion; le fait d'endommager une conduite d'eau peut entraîner des dégâts matériels ou causer une décharge électrique)
- **Ne tenez l'outil électroportatif qu'aux poignées isolées, si, pendant les travaux, l'accessoire risque de toucher des câbles électriques cachés ou son propre câble d'alimentation** (le contact avec des conduites sous tension a pour conséquence une mise sous tension des parties métalliques de l'outil et provoque une décharge électrique)

- **Ne travaillez pas de matériaux contenant de l'amiante** (l'amiante est considérée comme étant cancérigène)
- **Prenez des mesures de sécurité, lorsque des poussières nuisibles à la santé, inflammables ou explosives peuvent être générées lors du travail** (certaines poussières sont considérées comme étant cancérigènes); portez un masque anti-poussières et utilisez un dispositif d'aspiration de poussières/de copeaux s'il est possible de raccorder un tel dispositif
- Si le câble est endommagé ou rompu pendant le travail, n'y touchez pas, mais débranchez immédiatement la prise
- N'utilisez jamais d'outil avec un câble endommagé; faites-le remplacer par un technicien qualifié
- Contrôlez toujours si la tension secteur correspond à la tension indiquée sur la plaquette signalétique de l'outil (les outils conçus pour une tension de 230V ou 240V peuvent également être branchés sur 220V)
- En cas de blocage de la mèche (généralisant une contre-réaction violente et dangereuse), éteignez immédiatement l'outil
- Assurez-vous des forces en jeu consécutives au blocage (spécialement durant le perçage des métaux); **utilisez toujours la poignée auxiliaire H** ② et adoptez une position de travail stable et sûre
- **Débranchez toujours l'outil avant tout réglage ou changement d'accessoire**

## UTILISATION

- Marche/arrêt ④
- Blocage de l'interrupteur pour marche continue ⑤
- Réglage de la vitesse pour démarrage doux ⑥
- Réglage de la vitesse maximum ⑦  
La molette B ② vous permet de régler sans paliers la vitesse maximum de minimum au maximum
- Inversion du sens de rotation ⑧
  - quand l'outil n'est pas réglé exactement sur la position gauche/droite, il ne peut être mis en marche
  - ! **inversez uniquement le sens de rotation lorsque l'outil est à l'arrêt complet**
- Sélection du mode de fonctionnement ⑨
  - appuyez sur le bouton F pour débloquent l'interrupteur E
  - sélectionnez le mode de fonctionnement de votre choix en tournant l'interrupteur E jusqu'à ce qu'il se bloque
  - ! **ne commencez à travailler que lorsque l'interrupteur E est bloqué**
  - 1 = perçage normal/vissage
  - 2 = perçage de martelage
  - 3 = burinage avec ciseau rotatif
  - 4 = burinage avec ciseau fixe
  - ! **sélectionnez le mode de fonctionnement uniquement lorsque l'outil n'est pas sous tension**

- pour le perçage dans le bois, le métal et les matières plastiques ainsi que pour le vissage il est nécessaire d'utiliser l'adaptateur correspondant (voir: Conseils d'utilisation)
- le mécanisme de percussion est déclenché par une légère pression sur l'outil lorsque la mèche est en contact avec le matériau à travailler
- de performants résultats de perçage de percussion ne sont obtenus que par une légère pression sur l'outil, ce qui permet de conserver l'embrayage automatique; une pression plus importante n'accroît en aucun cas les performances de perçage: **LAISSEZ L'OUTIL SKIL TRAVAILLER POUR VOUS**
- Burinage avec ciseau rotatif ⑩
  - ! **arrêtez l'outil et débranchez la prise**
  - sélectionnez le mode de burinage "rotatif"
- Burinage avec ciseau fixe ⑪
  - ! **arrêtez l'outil et débranchez la prise**
  - sélectionnez le mode de burinage "rotatif"
  - placez le ciseau dans la position souhaitée
  - sélectionnez le mode de burinage "fixe"
- Changement des embouts ⑫
  - nettoyez l'accessoire avant l'emploi et le graissez légèrement
  - tirez sur la douille de verrouillage G et insérez l'accessoire dans le mandrin SDS+ tout en l'enfonçant en tournant jusqu'à ce qu'il s'enclanche; l'accessoire se bloque de lui-même
  - tirez sur l'accessoire pour contrôler qu'il est bien bloqué
  - retirez l'accessoire en tirant sur la douille de verrouillage G
  - ! **l'accessoire SDS+ doit rester mobile ce qui entraîne un effet visuel excentrique lorsque l'outil est en marche; cependant, le centrage de l'accessoire se fait automatiquement durant l'opération sans que la précision du perçage ne soit affectée**
  - ! **ne pas utiliser des embouts/ciseaux avec une queue endommagée**
- Embrayage de sécurité  
En cas de blocage de l'accessoire, l'entraînement de l'arbre est interrompu (généralisant un bruit de crécelle)
  - débranchez immédiatement l'outil
  - retirez l'accessoire bloqué
  - remettez en marche l'outil
- Réglage de la profondeur de perçage ⑬
- Tenue et guidage de l'outil ⑭
  - **utilisez toujours la poignée auxiliaire H** ② (peut être réglée comme illustré)
  - tenez les fentes de ventilation dégagées
  - ne pas appuyez trop fortement sur l'outil; laissez l'outil travailler pour vous

## CONSEILS D'UTILISATION

- Utilisez les embouts appropriés ⑮
  - ! **utilisez seulement des embouts/ciseaux bien affûtés**

- Pour le perçage dans le bois, le métal et les matières plastiques ainsi que pour le vissage utilisez l'adaptateur correspondant (SKIL accessoire 2610395660) 16
  - tenez l'adaptateur avant l'emploi et le graissez légèrement
  - tirez sur la douille de verrouillage G 2 et insérez l'adaptateur dans le mandrin SDS+ tout en l'enfonçant en tournant jusqu'à ce qu'il s'enclanche; l'adaptateur se bloque de lui-même
  - tirez sur l'adaptateur pour contrôler qu'il est bien bloqué
  - sélectionnez la fonction perçage normal avec l'interrupteur E 2 (**uniquement lorsque l'outil n'est pas sous tension**)
- Quand vous percez des métaux ferreux
  - pour faire un gros trou, faites un avant-trou plus petit
  - lubrifiez le foret de temps en temps
- Quand vous devez visser une vis près d'une arête de bois ou à la fin d'une coupe transversale, il est préférable de faire un avant-trou afin d'éviter de faire craquer le bois
- Perçage sans éclat en bois 17
- Perçage sans poussières dans les murs 18
- Perçage sans poussières dans les plafonds 19
- Perçage des carreaux sans glisser 20
- Pour des suggestions complémentaires voyez [www.skileurope.com](http://www.skileurope.com)

## GARANTIE / ENVIRONNEMENT

- Gardez toujours votre outil et le câble propres (spécialement les aérations)  
**! débranchez la fiche avant le nettoyage**
- Ce produit SKIL est garanti conformément aux dispositions légales/nationales; tout dommage dû à l'usure normale, à une surcharge ou à une mauvaise utilisation de l'outil, sera exclu de la garantie
- En cas de réclamation, retournez l'outil **non démonté** avec votre preuve d'achat au revendeur ou au centre de service après-vente SKIL le plus proche (les adresses ainsi que la vue éclatée de l'outil figurent sur [www.skileurope.com](http://www.skileurope.com))
- **Ne jetez pas les outils électriques, les accessoires et l'emballage dans les ordures ménagères** (pour les pays européens uniquement)
  - conformément à la directive européenne 2002/96/EG relative aux déchets d'équipements électriques ou électroniques, et à sa transposition dans la législation nationale, les outils électriques usés doivent être collectés séparément et faire l'objet d'un recyclage respectueux de l'environnement
  - le symbole 21 vous le rappellera au moment de la mise au rebut de l'outil

D

## Bohrhammer

1765

### INLEITUNG

- Das Werkzeug ist bestimmt zum Schlagbohren in Beton, Ziegel und Stein sowie für leichte Meißelarbeiten; zum Bohren in Holz, Metall und Kunststoff sowie für Schraubarbeiten sollte spezifisches Zubehör verwendet werden
- Das Schlagbohr-System bei diesem Werkzeug übertrifft bei weitem alle Schlagbohrmaschinen beim Bohren in Beton
- Dieses Werkzeug erlaubt den Gebrauch jedes normalen SDS+ Zubehörs
- Bitte diese Bedienungsanleitung sorgfältig lesen und aufbewahren 3

### TECHNISCHE DATEN 1

### WERKZEUGKOMPONENTEN 2

- A Schalter zum Ein-Aus-Schalten und zur Drehzahlregelung
- B Rad zur Maximalgeschwindigkeits-Kontrolle
- C Knopf zum Feststellen des Schalters
- D Hebel zum Umschalten der Drehrichtung
- E Schalter zum Wählen der Betriebsart
- F Entriegelungstaste
- G Verriegelungshülse
- H Zusatzgriff

### SICHERHEIT

#### ALLGEMEINE SICHERHEITSHINWEISE

**⚠ ACHTUNG! Lesen Sie alle Sicherheitshinweise und Anweisungen.** Versäumnisse bei der Einhaltung der Sicherheitshinweise und Anweisungen können elektrischen Schlag, Brand und/oder schwere Verletzungen verursachen. **Bewahren Sie alle Sicherheitshinweise und Anweisungen für die Zukunft auf.** Der in den Sicherheitshinweisen verwendete Begriff "Elektrowerkzeug" bezieht sich auf netzbetriebene Elektrowerkzeuge (mit Netzkabel).

#### 1) ARBEITSPLATZSICHERHEIT

- a) **Halten Sie Ihren Arbeitsbereich sauber und aufgeräumt.** Unordnung oder unbeleuchtete Arbeitsbereiche können zu Unfällen führen.
- b) **Arbeiten Sie mit dem Gerät nicht in explosionsgefährdeter Umgebung, in der sich brennbare Flüssigkeiten, Gase oder Stäube befinden.** Elektrowerkzeuge erzeugen Funken, die den Staub oder die Dämpfe entzünden können.

- c) **Halten Sie Kinder und andere Personen während der Benutzung des Elektrowerkzeugs fern.** Bei Ablenkung können Sie die Kontrolle über das Gerät verlieren.

## 2) ELEKTRISCHE SICHERHEIT

- a) **Der Anschlussstecker des Gerätes muss in die Steckdose passen. Der Stecker darf in keiner Weise verändert werden. Verwenden Sie keine Adapterstecker gemeinsam mit schutzgeerdeten Geräten.** Unveränderte Stecker und passende Steckdosen verringern das Risiko eines elektrischen Schlag.
- b) **Vermeiden Sie Körperkontakt mit geerdeten Oberflächen, wie von Rohren, Heizungen, Herden und Kühlschränken.** Es besteht ein erhöhtes Risiko durch elektrischen Schlag, wenn Ihr Körper geerdet ist.
- c) **Halten Sie das Gerät von Regen oder Nässe fern.** Das Eindringen von Wasser in ein Elektrogerät erhöht das Risiko eines elektrischen Schlag.
- d) **Zweckentfremden Sie das Kabel nicht, um das Gerät zu tragen, aufzuhängen oder um den Stecker aus der Steckdose zu ziehen. Halten Sie das Kabel fern von Hitze, Öl, scharfen Kanten oder sich bewegenden Geräteteilen.** Beschädigte oder verwickelte Kabel erhöhen das Risiko eines elektrischen Schlag.
- e) **Wenn Sie mit einem Elektrowerkzeug im Freien arbeiten, verwenden Sie nur Verlängerungskabel, die auch für den Außenbereich zugelassen sind.** Die Anwendung eines für den Außenbereich geeigneten Verlängerungskabels verringert das Risiko eines elektrischen Schlag.
- f) **Wenn der Betrieb des Elektrowerkzeuges in feuchter Umgebung nicht vermeidbar ist, verwenden Sie einen Fehlerstromschutzschalter.** Der Einsatz eines Fehlerstromschutzschalters vermindert das Risiko eines elektrischen Schlag.
- ## 3) SICHERHEIT VON PERSONEN
- a) **Seien Sie aufmerksam, achten Sie darauf, was Sie tun, und gehen Sie mit Vernunft an die Arbeit mit einem Elektrowerkzeug. Benutzen Sie das Gerät nicht, wenn Sie müde sind oder unter dem Einfluss von Drogen, Alkohol oder Medikamenten stehen.** Ein Moment der Unachtsamkeit beim Gebrauch des Gerätes kann zu ernsthaften Verletzungen führen.
- b) **Tragen Sie persönliche Schutzausrüstung und immer eine Schutzbrille.** Das Tragen persönlicher Schutzausrüstung, wie Staubmaske, rutschfeste Sicherheitsschuhe, Schutzhelm oder Gehörschutz, je nach Art und Einsatz des Elektrowerkzeuges, verringert das Risiko von Verletzungen.
- c) **Vermeiden Sie eine unbeabsichtigte Inbetriebnahme. Vergewissern Sie sich, dass das Elektrowerkzeug ausgeschaltet ist, bevor Sie es an die Stromversorgung anschließen, es aufnehmen oder tragen.** Wenn Sie beim Tragen des Elektrowerkzeuges den Finger am Schalter haben oder das Gerät eingeschaltet an die Stromversorgung anschließen, kann dies zu Unfällen führen.

- d) **Entfernen Sie Einstellwerkzeuge oder Schraubenschlüssel, bevor Sie das Gerät einschalten.** Ein Werkzeug oder Schlüssel, der sich in einem drehenden Geräteteil befindet, kann zu Verletzungen führen.
- e) **Überschätzen Sie sich nicht. Sorgen Sie für einen sicheren Stand und halten Sie jederzeit das Gleichgewicht.** Dadurch können Sie das Gerät in unerwarteten Situationen besser kontrollieren.
- f) **Tragen Sie geeignete Kleidung. Tragen Sie keine weite Kleidung oder Schmuck. Halten Sie Haare, Kleidung und Handschuhe fern von sich bewegenden Teilen.** Lockere Kleidung, Schmuck oder lange Haare können von sich bewegenden Teilen erfasst werden.
- g) **Wenn Staubabsaug- und -auffangeinrichtungen montiert werden können, vergewissern Sie sich, dass diese angeschlossen sind und richtig verwendet werden.** Verwendung einer Staubabsaugung verringert Gefährdungen durch Staub.
- ## 4) SORGFÄLTIGER UMGANG UND GEBRAUCH VON ELEKTROWERKZEUGEN
- a) **Überlasten Sie das Gerät nicht. Verwenden Sie für Ihre Arbeit das dafür bestimmte Elektrowerkzeug.** Mit dem passenden Elektrowerkzeug arbeiten Sie besser und sicherer im angegebenen Leistungsbereich.
- b) **Benutzen Sie kein Elektrowerkzeug, dessen Schalter defekt ist.** Ein Elektrowerkzeug, das sich nicht mehr ein- oder ausschalten lässt, ist gefährlich und muss repariert werden.
- c) **Ziehen Sie den Stecker aus der Steckdose, bevor Sie Geräteeinstellungen vornehmen, Zubehörteile wechseln oder das Gerät weglegen.** Diese Vorsichtsmaßnahme verhindert den unbeabsichtigten Start des Geräts.
- d) **Bewahren Sie unbenutzte Elektrowerkzeuge außerhalb der Reichweite von Kindern auf. Lassen Sie Personen das Gerät nicht benutzen, die mit diesem nicht vertraut sind oder diese Anweisungen nicht gelesen haben.** Elektrowerkzeuge sind gefährlich, wenn Sie von unerfahrenen Personen benutzt werden.
- e) **Pflegen Sie das Gerät mit Sorgfalt. Kontrollieren Sie, ob bewegliche Geräteteile einwandfrei funktionieren und nicht klemmen, ob Teile gebrochen oder so beschädigt sind, dass die Funktion des Gerätes beeinträchtigt ist. Lassen Sie beschädigte Teile vor dem Einsatz des Geräts reparieren.** Viele Unfälle haben ihre Ursache in schlecht gewarteten Elektrowerkzeugen.
- f) **Halten Sie Schneidwerkzeuge scharf und sauber.** Sorgfältig gepflegte Schneidwerkzeuge mit scharfen Schneidkanten verkleben sich weniger und sind leichter zu führen.

- g) **Verwenden Sie Elektrowerkzeug, Zubehör, Einsatzwerkzeuge usw. entsprechend diesen Anweisungen. Berücksichtigen Sie dabei die Arbeitsbedingungen und die auszuführende Tätigkeit.** Der Gebrauch von Elektrowerkzeugen für andere als die vorgesehenen Anwendungen kann zu gefährlichen Situationen führen.

## 5) SERVICE

- a) **Lassen Sie Ihr Gerät nur von qualifiziertem Fachpersonal und nur mit Original-Ersatzteilen reparieren.** Damit wird sichergestellt, dass die Sicherheit des Geräts erhalten bleibt.

## SICHERHEITSHINWEISE FÜR BOHRHAMMER

- **Gehörschutz tragen beim Gebrauch von Schlagbohrmaschinen** (Aussetzung dem Geräusch kann zu Hörverlust führen)
- **Mit dem Werkzeug gelieferte Seitengriffe benutzen** (Verlust der Kontrolle kann zu Verletzungen führen)
- Beschädigungen durch Schrauben, Nägel und ähnliches an Ihrem Werkstück vermeiden; diese vor Arbeitsbeginn entfernen
- Das Kabel immer von umlaufenden Teilen des Werkzeuges fernhalten
- **Sichern Sie das Werkstück** (ein mit Spannvorrichtungen oder Schraubstock festgehaltenes Werkstück ist sicherer gehalten als mit der Hand)
- Sobald Sie sich von Ihrem Werkzeug entfernen, sollte dieses ausgeschaltet werden und die sich bewegenden Teile vollkommen zum Stillstand gekommen sein
- Bei Benutzung von Verlängerungskabeln ist darauf zu achten, daß das Kabel vollständig abgerollt ist und eine Kapazität von 16 A hat
- Bei elektrischer oder mechanischer Fehlfunktion das Werkzeug sofort ausschalten und den Netzstecker ziehen
- SKIL kann nur dann die einwandfreie Funktion des Werkzeuges zusichern, wenn Original-Zubehör verwendet wird
- Nur Zubehör verwenden, dessen zulässige Drehzahl mindestens so hoch ist wie die höchste Leerlaufdrehzahl des Werkzeuges
- Der Benutzer dieses Werkzeuges sollte älter als 16 Jahre sein
- **Verwenden Sie geeignete Suchgeräte, um verborgene Versorgungsleitungen aufzuspüren, oder ziehen Sie die örtliche Versorgungsgesellschaft hinzu** (Kontakt mit Elektroleitungen kann zu Feuer und elektrischem Schlag führen; Beschädigung einer Gasleitung kann zur Explosion führen; Eindringen in eine Wasserleitung verursacht Sachbeschädigung oder kann einen elektrischen Schlag verursachen)
- **Fassen Sie das Elektrowerkzeug nur an den isolierten Griffflächen, wenn Sie Arbeiten ausführen, bei denen das Zubehör verborgene Stromleitungen oder das eigene Netzkabel treffen kann** (Kontakt mit einer spannungsführenden Leitung setzt auch Metallteile des Elektrowerkzeuges unter Spannung und führt zu einem elektrischen Schlag)

- **Bearbeiten Sie kein asbesthaltiges Material** (Asbest gilt als krebserregend)
- **Treffen Sie Schutzmaßnahmen, wenn beim Arbeiten gesundheitsschädliche, brennbare oder explosive Stäube entstehen können** (manche Stäube gelten als krebserregend); tragen Sie eine Staubschutzmaske und verwenden Sie, wenn anschließbar, eine Staub-/Späneabsaugung
- Wird bei der Arbeit das Kabel beschädigt oder durchtrennt, Kabel nicht berühren, sondern sofort den Netzstecker ziehen
- Werkzeug nicht weiter verwenden, wenn das Kabel beschädigt ist; lassen Sie dieses von einem anerkannten Elektrofachmann ersetzen
- Stets nachprüfen, daß die Netzspannung mit der auf dem Typenschild des Werkzeuges angegebenen Spannung übereinstimmt (mit 230V oder 240V beschriftete Werkzeuge können auch an 220V betrieben werden)
- Im Falle des unerwarteten Blockierens des Bohrers (mit einer ruckartigen gefährlichen Reaktion), das Werkzeug sofort abschalten
- Beachten Sie die auftretenden Kräfte beim Blockieren (besonders beim Bohren in Metall); **das Werkzeug immer am Seitengriff H ② festhalten** und einen sicheren Stand einnehmen
- **Ziehen Sie grundsätzlich den Netzstecker, bevor Sie beliebige Änderungen an den Einstellungen oder einen Zubehörawechsel vornehmen**

## BEDIENUNG

- Ein-/Aus-Schalten ④
- Arretierung des Schalters für Dauerlauf ⑤
- Drehzahlregulierung für Sanftanlauf ⑥
- Maximalgeschwindigkeits-Kontrolle ⑦  
Mit dem Rad B ② wird die Maximalgeschwindigkeit stufenlos von minimal bis maximal eingestellt
- Umschalten der Drehrichtung ⑧
  - wenn die links/rechts Position nicht richtig einrastet, kann der Schalter A nicht betätigt werden
  - ! **Drehrichtung nur dann umschalten, wenn das Werkzeug vollkommen stillsteht**
- Wählen der Betriebsart ⑨
  - Taste F drücken um den Schalter E zu entriegeln
  - Schalter E in die gewünschte Betriebsart drehen, bis er einrastet
  - ! **nur mit der Arbeit anfangen, wenn der Schalter E verriegelt ist**
    - 1 = normales Bohren/Schrauben
    - 2 = Bohrhämmern
    - 3 = Meißeln mit rotierendem Meißel
    - 4 = Meißeln mit feststehendem Meißel
  - ! **Betriebsart nur im Stillstand wählen**
  - zum Bohren in Holz, Metall und Kunststoff sowie zum Schrauben benötigen Sie den zugehörigen Adapter (siehe: Anwendungshinweise)
  - der Schlagbohr-Mechanismus wird durch einen leichten Druck auf das Werkzeug eingeschaltet, wenn der Bohrer in Kontakt mit dem Werkstück kommt

- beste Bohrergergebnisse können nur durch einen leichten Druck auf das Werkzeug erzielt werden, der erforderlich ist, die automatische Kupplung zu betätigen; größerer Druck verbessert nicht das Bohrergergebnis: SKIL LÄBT DAS WERKZEUG FÜR SIE ARBEITEN
- Meißeln mit rotierendem Meißel ⑩
  - ! **das Werkzeug ausschalten und den Netzstecker ziehen**
  - die Betriebsart für "rotierendes" Meißeln wählen
- Meißeln mit feststehendem Meißel ⑪
  - ! **das Werkzeug ausschalten und den Netzstecker ziehen**
  - die Betriebsart für "rotierendes" Meißeln wählen
  - den Meißel in die gewünschte Stellung bringen
  - die Betriebsart für "feststehendes" Meißeln wählen
- Wechseln von Bits ⑫
  - Zubehör vor Einsetzen reinigen und leicht fetten
  - Verriegelungshülse G zurückziehen und das Zubehör in das SDS+ Bohrfutter drehend und hineinschiebend bis zum Einrasten einführen; das Zubehör verriegelt sich selbsttätig
  - Verriegelung durch Ziehen am Zubehör prüfen
  - Zubehör entfernen durch Zurückziehen der Verriegelungshülse G
  - ! **das SDS+ Zubehör muß frei beweglich sein, wodurch beim Leerlauf eine Rundlaufabweichung entsteht, die sich beim Bohren selbsttätig zentriert; dies hat keine Auswirkungen auf die Genauigkeit des Bohrlochs**
  - ! **keine Bits/Meißel mit beschädigtem Schaft benutzen**
- Sicherheitskupplung
 

Blockiert das Zubehör, wird der Antrieb zur Spindel unterbrochen (schlagendes Geräusch)

  - das Werkzeug sofort abschalten
  - blockiertes Zubehör entfernen
  - das Werkzeug wieder anschalten
- Einstellen der Bohrtiefe ⑬
- Halten und Führen des Werkzeuges ⑭
  - **das Werkzeug immer am Seitengriff H ② festhalten** (kann laut Darstellung geregelt werden)
  - halten Sie die Lüftungsschlitze offen
  - nicht zuviel Druck auf das Werkzeug ausüben; lassen Sie das Werkzeug für Sie arbeiten

## ANWENDUNGSHINWEISE

- Die entsprechenden Bits verwenden ⑮
  - ! **nur scharfe Bits/Meißel benutzen**
- Zum Bohren in Holz, Metall und Kunststoff sowie zum Schrauben den zugehörigen Adapter (SKIL Zubehör 2610395660) verwenden ⑯
  - Adapter vor Einsetzen reinigen und leicht fetten
  - Verriegelungshülse G ② zurückziehen und Adapter in das SDS+ Bohrfutter drehend und hineinschiebend bis zum Einrasten einführen; der Adapter verriegelt sich selbsttätig

- Verriegelung durch Ziehen am Adapter prüfen
- Schalter E ② auf Normalbohren stellen (**nur im Stillstand betätigen**)
- Beim Bohren in Metall
  - kleines Loch vorbohren wenn ein größeres Loch benötigt ist
  - Bits gelegentlich mit Öl einfetten
- Beim Eindrehen einer Schraube am Ende oder Kopfstück eines Holzes sollte ein Loch vorgebohrt werden um ein Spalten des Holzes zu vermeiden
- Splitterfreies Bohren in Holz ⑰
- Staubfreies Bohren in Mauern ⑱
- Staubfreies Bohren in Decken ⑲
- Bohren in Fliesen ohne auszurutschen ⑳
- Für mehr Tips siehe [www.skileurope.com](http://www.skileurope.com)

## GARANTIE / UMWELT

- Halten Sie Werkzeug und Kabel immer sauber (insbesondere die Lüftungsschlitze)
  - ! **Netzstecker vor dem Säubern ziehen**
- Für dieses SKIL-Erzeugnis leisten wir Garantie gemäß den gesetzlichen/landesspezifischen Bestimmungen; Schäden, die auf natürliche Abnutzung, Überlastung oder unsachgemäße Behandlung zurückzuführen sind, bleiben von der Garantie ausgeschlossen
- Bei Beanstandung das Werkzeug **unzerlegt**, zusammen mit dem Kaufbeleg, an den Lieferer oder die nächste SKIL-Vertragswerkstätte senden (die Anschriften so wie die Ersatzteilzeichnung des Werkzeuges finden Sie unter [www.skileurope.com](http://www.skileurope.com))
- **Elektrowerkzeuge, Zubehör und Verpackungen nicht in den Hausmüll werfen** (nur für EU-Länder)
  - gemäß Europäischer Richtlinie 2002/96/EG über Elektro- und Elektronik- Altgeräte und Umsetzung in nationales Recht müssen nicht mehr gebrauchsfähige Elektrowerkzeuge getrennt gesammelt und einer umweltgerechten Wiederverwertung zugeführt werden
  - hieran soll Sie Symbol ⑲ erinnern

NL

Boorhamer

1765

## INTRODUCTIE

- Deze machine is bestemd voor het klopboren in beton, baksteen en steen alsmede voor licht beitelwerk; voor het boren in hout, metaal en kunststof en voor het in- en uitdraaien van schroeven moesten specifieke accessoires gebruikt worden
- Het hamer-systeem in deze machine overtreft de betonboorprestatie van iedere traditionele klopbormachine
- Deze machine is zo ontworpen, dat alle standaard SDS+ accessoires gebruikt kunnen worden
- Lees en bewaar deze gebruiksaanwijzing ③



# TECHNISCHE SPECIFICATIES ①

## MACHINE-ELEMENTEN ②

- A Schakelaar voor aan/uit en toerentalregeling
- B Instelwielletje voor maximum-snelheid/koppel
- C Knop voor vastzetten van schakelaar
- D Pal voor omschakelen van draairichting
- E Knop voor selecteren van functie-stand
- F Ontgrendelingsknop
- G Vergrendelingshuls
- H Extra handgreep

## VEILIGHEID

### ALGEMENE VEILIGHEIDSVORSCHRIFTEN

**⚠ LET OP!** Lees alle veiligheids waarschuwingen en alle voorschriften. Als de waarschuwingen en voorschriften niet worden opgevolgd, kan dit een elektrische schok, brand of ernstig letsel tot gevolg hebben. **Bewaar alle waarschuwingen en voorschriften voor toekomstig gebruik.** Het in de waarschuwingen gebruikte begrip "elektrisch gereedschap" heeft betrekking op elektrische gereedschappen voor gebruik op het stroomnet (met netsnoer).

#### 1) VEILIGHEID VAN DE WERKOMGEVING

- a) **Houd uw werkomgeving schoon en opgeruimd.** Een rommelige of onverlichte werkomgeving kan tot ongevallen leiden.
- b) **Werk met het gereedschap niet in een omgeving met explosiegevaar waarin zich brandbare vloeistoffen, gassen of stof bevinden.** Elektrische gereedschappen veroorzaken vonken die het stof of de dampen tot ontsteking kunnen brengen.
- c) **Houd kinderen en andere personen tijdens het gebruik van het elektrische gereedschap uit de buurt.** Wanneer u wordt afgeleid, kunt u de controle over het gereedschap verliezen.

#### 2) ELEKTRISCHE VEILIGHEID

- a) **De aansluitstekker van het gereedschap moet in het stopcontact passen. De stekker mag in geen geval worden veranderd. Gebruik geen adapterstekkers in combinatie met geaarde gereedschappen.** Onveranderde stekkers en passende stopcontacten beperken het risico van een elektrische schok.
- b) **Voorkom aanraking van het lichaam met geaarde oppervlakken, bijvoorbeeld van buizen, verwarmingen, fornuizen en koelkasten.** Er bestaat een verhoogd risico door een elektrische schok wanneer uw lichaam geaard is.
- c) **Houd het gereedschap uit de buurt van regen en vocht.** Het binnendringen van water in het elektrische gereedschap vergroot het risico van een elektrische schok.

- d) **Gebruik de kabel niet voor een verkeerd doel, om het gereedschap te dragen of op te hangen of om de stekker uit het stopcontact te trekken. Houd de kabel uit de buurt van hitte, olie, scherpe randen en bewegende gereedschapsdelen.** Beschadigde of in de war geraakte kabels vergroten het risico van een elektrische schok.
- e) **Wanneer u buitenshuis met elektrisch gereedschap werkt, dient u alleen verlengkabels te gebruiken die voor gebruik buitenshuis zijn goedgekeurd.** Het gebruik van een voor gebruik buitenshuis geschikte verlengkabel beperkt het risico van een elektrische schok.
- f) **Als het gebruik van het elektrische gereedschap in een vochtige omgeving onvermijdelijk is, dient u een aardlekschakelaar te gebruiken.** Het gebruik van een aardlekschakelaar vermindert het risico van een elektrische schok.

#### 3) VEILIGHEID VAN PERSONEN

- a) **Wees alert, let goed op wat u doet en ga met verstand te werk bij het gebruik van het elektrische gereedschap. Gebruik het gereedschap niet wanneer u moe bent of onder invloed staat van drugs, alcohol of medicijnen.** Een moment van onoplettendheid bij het gebruik van het gereedschap kan tot ernstige verwondingen leiden.
- b) **Draag persoonlijke beschermende uitrusting en altijd een veiligheidsbril.** Het dragen van persoonlijke beschermende uitrusting zoals een stofmasker, slipvaste werkschoenen, een veiligheidshelm of gehoorbescherming, afhankelijk van de aard en het gebruik van het elektrische gereedschap, vermindert het risico van verwondingen.
- c) **Voorkom per ongeluk inschakelen. Zorg ervoor, dat het elektrisch gereedschap uitgeschakeld is, voordat u de stekker in het stopcontact steekt, en voordat u het gereedschap oppakt of draagt.** Wanneer u bij het dragen van het elektrische gereedschap uw vinger aan de schakelaar hebt of wanneer u het gereedschap ingeschakeld op de stroomvoorziening aansluit, kan dit tot ongevallen leiden.
- d) **Verwijder instelgereedschappen of schroefslutels voordat u het gereedschap inschakelt.** Een instelgereedschap of sleutel in een draaiend deel van het gereedschap kan tot verwondingen leiden.
- e) **Overschat uzelf niet. Zorg ervoor dat u stevig staat en steeds in evenwicht blijft.** Daardoor kunt u het gereedschap in onverwachte situaties beter onder controle houden.
- f) **Draag geschikte kleding. Draag geen loshangende kleding of sieraden. Houd haren, kleding en handschoenen uit de buurt van bewegende delen.** Loshangende kleding, sieraden en lange haren kunnen door bewegende delen worden meegenomen.

- g) **Wanneer stofzuigings- of stofopvangvoorzieningen kunnen worden gemonteerd, dient u zich ervan te verzekeren dat deze zijn aangesloten en juist worden gebruikt.** Het gebruik van een stofzuiging beperkt het gevaar door stof.
- 4) **GEREEDSCHAP EN ONDERHOUD VAN ELEKTRISCHE GEREEDSCHAPPEN**
- a) **Overbelast het gereedschap niet. Gebruik voor uw werkzaamheden het daarvoor bestemde elektrische gereedschap.** Met het passende elektrische gereedschap werkt u beter en veiliger binnen het aangegeven capaciteitsbereik.
- b) **Gebruik geen elektrisch gereedschap waarvan de schakelaar defect is.** Elektrisch gereedschap dat niet meer kan worden in- of uitgeschakeld, is gevaarlijk en moet worden gerepareerd.
- c) **Trek de stekker uit het stopcontact voordat u het gereedschap instelt, toebehoren wisselt of het gereedschap weglegt.** Deze voorzorgsmaatregel voorkomt onbedoeld starten van het gereedschap.
- d) **Bewaar niet-gebruikte elektrische gereedschappen buiten bereik van kinderen. Laat het gereedschap niet gebruiken door personen die er niet mee vertrouwd zijn en deze aanwijzingen niet hebben gelezen.** Elektrische gereedschappen zijn gevaarlijk wanneer deze door onervaren personen worden gebruikt.
- e) **Verzorg het gereedschap zorgvuldig. Controleer of bewegende delen van het gereedschap correct functioneren en niet vastklemmen en of onderdelen zodanig gebroken of beschadigd zijn dat de werking van het gereedschap nadelig wordt beïnvloed. Laat beschadigde delen repareren voordat u het gereedschap gebruikt.** Veel ongevallen hebben hun oorzaak in slecht onderhouden elektrische gereedschappen.
- f) **Houd snijdende inzetgereedschappen scherp en schoon.** Zorgvuldig onderhouden snijdende inzetgereedschappen met scherpe snijkanten klemmen minder snel vast en zijn gemakkelijker te geleiden.
- g) **Gebruik elektrische gereedschappen, toebehoren, inzetgereedschappen en dergelijke volgens deze aanwijzingen. Let daarbij op de arbeidsomstandigheden en de uit te voeren werkzaamheden.** Het gebruik van elektrische gereedschappen voor andere dan de voorziene toepassingen kan tot gevaarlijke situaties leiden.
- 5) **SERVICE**
- a) **Laat het gereedschap alleen repareren door gekwalificeerd en vakkundig personeel en alleen met originele vervangingsonderdelen.** Daarmee wordt gewaarborgd dat de veiligheid van het gereedschap in stand blijft.

## VEILIGHEIDSVOORSCHRIFTEN VOOR BOORHAMERS

- **Draag gehoorbeschermers bij het gebruik van klopboomachines** (blootstelling aan geluid kan tot gehoorverlies leiden)

- **Gebruik de bij de machine geleverde zijhandgrepen** (verlies van controle kan tot verwondingen leiden)
- Voorkom schade, die kan ontstaan door schroeven, spijkers en andere voorwerpen in uw werkstuk; verwijder deze, voordat u aan een karwei begint
- Houd het snoer altijd verwijderd van de bewegende delen van uw machine
- **Zet het werkstuk vast** (een werkstuk, dat is vastgezet met klemmen of in een bankschroef, zit steviger vast dan wanneer het met de hand wordt vastgehouden)
- Als u uw machine wegzet moet de motor uitgeschakeld zijn en de bewegende delen tot stilstand zijn gekomen
- Gebruik volledig uitgeholde en veilige verlengsnoeren met een capaciteit van 16 Ampère
- In geval van elektrische of mechanische storing, de machine onmiddellijk uitschakelen en de stekker uit het stopcontact trekken
- SKIL kan alleen een correcte werking van de machine garanderen, indien originele accessoires worden gebruikt
- Gebruik alleen accessoires met een toegestaan toerental, dat minstens even hoog is als het hoogste onbelaste toerental van de machine
- Deze machine mag niet worden gebruikt door personen onder de 16 jaar
- **Gebruik een geschikt detectieapparaat om verborgen stroom-, gas- of waterleidingen op te sporen of raadpleeg het plaatselijke energie- of waterleidingbedrijf** (contact met elektrische leidingen kan tot brand of een elektrische schok leiden; beschadiging van een gasleiding kan tot een explosie leiden; breuk van een waterleiding veroorzaakt materiële schade en kan tot een elektrische schok leiden)
- **Houd het elektrische gereedschap alleen vast aan de geïsoleerde greepvlakken als u werkzaamheden uitvoert waarbij het inzetgereedschap verborgen stroomleidingen of de eigen netkabel kan raken** (contact met een onder spanning staande leiding zet ook de metalen delen van het elektrische gereedschap onder spanning en leidt tot een elektrische schok)
- **Bewerk geen asbesthoudend materiaal** (asbest geldt als kankerverwekkend)
- **Tref veiligheidsmaatregelen, wanneer er bij werkzaamheden stoffen kunnen ontstaan, die schadelijk voor de gezondheid, brandbaar of explosief zijn** (sommige soorten stof gelden als kankerverwekkend); draag een stofmasker en gebruik een afzuiging voor stof en spanen, als deze kan worden aangesloten
- Raak het snoer niet aan, als dit tijdens de werkzaamheden wordt beschadigd of doorsneden, maar trek onmiddellijk de stekker uit het stopcontact
- Gebruik de machine niet, wanneer het snoer beschadigd is; laat dit door een erkende vakman vervangen
- Controleer of het voltage, dat vermeld staat op het typeplaatje van de machine, overeenkomt met de netspanning (met 230V of 240V aangeduide machines kunnen ook op 220V aangesloten worden)

- Schakel in geval van onverwacht blokkeren van de boorpunt (met een gevaarlijke schokbeweging als gevolg) de machine onmiddellijk uit
- Houd rekening met de krachten, die optreden bij blokkeren (vooral bij het boren in metaal); **gebruik altijd zijhandgreep H ②** en zorg ervoor, dat u stevig staat
- **Trek altijd de stekker uit het stopcontact voordat u een instelling verandert of een accessoire verwisselt**

## GEBRUIK

- Aan/uit ④
- Vastzetten van schakelaar voor continu gebruik ⑤
- Toerentalregeling voor langzaam starten ⑥
- Instelbaar maximum-toerental ⑦  
Met wielte B ② kan een maximum-toerental traploos ingesteld worden van minimum tot maximum
- Omschakelen van draairichting ⑧
  - als de omkeerschakelaar niet in de uiterste stand op links/rechts staat, kan schakelaar A niet ingedrukt worden
- ! **schakel alleen om als de machine volledig stilstaat**
- Selecteren van functie-stand ⑨
  - druk op knop F om schakelaar E te ontgrendelen
  - draai schakelaar E naar de gewenste functie-stand totdat deze vastklikt
- ! **begin alleen te werken als schakelaar E vergrendeld is**
  - 1 = normaal boren/schroeven
  - 2 = hamerboren
  - 3 = beitelen met roterende beitel
  - 4 = beitelen met vaste beitel
- ! **selecteer de functie-stand alleen als de machine uitgeschakeld is**
  - gebruik voor het boren in hout, metaal en kunststof en voor het in- en uitdraaien van schroeven de bijbehorende adapter (zie: Toepassingsadvies)
  - het hamerslagmechanisme treedt in werking als u tijdens het boren een lichte druk op uw machine uitoefent
  - de beste boor-resultaten in beton worden verkregen door een lichte druk (voldoende om de automatische koppeling ingeschakeld te houden) op uw machine uit te oefenen; de boorprestatie zal niet groter worden door harder op uw machine te drukken: SKIL LAAT HET GEREEDSCHAP VOOR JE WERKEN
- Beitelen met roterende beitel ⑩
  - ! **schakel de machine uit en trek de stekker uit het stopcontact**
  - kies de functie “roterende” beitel
- Beitelen met vaste beitel ⑪
  - ! **schakel de machine uit en trek de stekker uit het stopcontact**
  - kies de functie “roterende” beitel
  - plaats de beitel in de gewenste stand
  - kies de functie “vaste” beitel

- Verwisselen van bits ⑫
  - het accessoire voor het inzetten reinigen en licht invetten
  - trek vergrendelingshuls G naar achteren en plaats accessoire draaiend en drukkend in SDS+ boorkop tot deze vastklikt; het accessoire vergrendelt automatisch
  - controleer vergrendeling door aan accessoire te trekken
  - verwijder accessoire door vergrendelingshuls G naar achteren te trekken
- ! **het SDS+ accessoire dient beweeglijk geplaatst te worden, waardoor tijdens het onbelast draaien een excentrische onnauwkeurigheid ontstaat; het accessoire centreert zich tijdens het boren echter geheel vanzelf zonder de boorprecisie te beïnvloeden**
- ! **gebruik geen bits/beitels met een beschadigde schacht**
- Veiligheidskoppeling  
Indien het accessoire blokkeert, wordt de verbinding tussen aandrijving en as verbroken (met een ratelend geluid als gevolg)
  - schakel de machine onmiddellijk uit
  - verwijder het geblokkeerde accessoire
  - schakel de machine weer in
- Instellen van boordiepte ⑬
- Vasthouden en leiden van de machine ⑭
  - **gebruik altijd zijhandgreep H ②** (regelbaar zoals afgebeeld)
  - houd de ventilatie-openingen onbedekt
  - oefen niet te veel druk uit; laat de machine het werk voor u doen

## TOEPASSINGSADVIES

- Gebruik de juiste bits ⑮
- ! **gebruik uitsluitend scherpe bits/beitels**
- Gebruik voor het boren in hout, metaal en kunststof en voor het in- en uitdraaien van schroeven de bijbehorende adapter (SKIL accessoire 2610395660) ⑯
  - de adapter voor het inzetten reinigen en licht invetten
  - trek vergrendelingshuls G ② naar achteren en plaats adapter draaiend en drukkend in SDS+ boorkop tot deze vastklikt; de adapter vergrendelt automatisch
  - controleer vergrendeling door aan adapter te trekken
  - zet schakelaar E ② op normaal boren (**alleen als machine uitgeschakeld is**)
- Bij het boren van harde metalen
  - een kleiner gat voorboren, wanneer een groot gat nodig is
  - vet de boorpunt af en toe met olie in
- Altijd een gat voorboren bij het schroeven in/vlakbij de kopse- of zijkant van hout
- Splintervrij boren in hout ⑰
- Stofvrij boren in muren ⑱
- Stofvrij boren in plafonds ⑲
- Boren in tegels zonder uitgliden ⑳
- Voor meer tips zie [www.skileurope.com](http://www.skileurope.com)

## GARANTIE / MILIEU


- Houd machine en snoer altijd schoon (met name de ventilatie-openingen)  
**! trek de stekker uit het stopcontact vóór het reinigen**
- Voor dit SKIL-product geven wij garantie volgens de wettelijk geldende bepalingen; schade, die terug te voeren is op natuurlijke slijtage, overbelasting of onachtzaam gebruik, is van deze garantie uitgesloten
- In geval van een klacht de machine **ongedemonteerd**, samen met het aankoopbewijs, naar het verkoopadres of het dichtstbijzijnde SKIL service-station opsturen (de adressen evenals de onderdeeltekeningen van de machine vindt u op [www.skileurope.com](http://www.skileurope.com))
- **Geef electrisch gereedschap, accessoires en verpakkingen niet met het huisvuil mee** (alleen voor EU-landen)
  - volgens de Europese richtlijn 2002/96/EG inzake oude electrische en electronische apparaten en de toepassing daarvan binnen de nationale wetgeving, dient afgedankt electrisch gereedschap gescheiden te worden ingezameld en te worden afgevoerd naar een recycle-bedrijf, dat voldoet aan de geldende milieu-eisen
  - symbool  zal u in het afdankstadium hieraan herinneren

S

## Borhammare

1765

## INTRODUKTION

- Maskinen är avsedd för slagborrning i betong, tegel och sten samt för lättare mejslingsarbete; för borring i trä, metall och plast samt för skruvdragning måste specifikt tillbehör användas
- Slagborrsystemet i denna maskin konkurrerar ut varje traditionell slagborrmaskin, när du skall borra i betong
- Denna maskin är konstruerad för användning i kombination med alla standard SDS+ tillbehör
- Läs och spara denna instruktionsbok 


## TEKNISKA DATA

## VERKTYGSELEMENT

- A** Strömbrytare för till/från och varvtalsreglering
- B** Ratt för justering av maximalvarvtalet
- C** Knapp för låsning av strömbrytare
- D** Spak för reversering av rotationsriktningen
- E** Omkopplare för utväljande av driftsläge
- F** Låsknapp
- G** Låshylsa
- H** Hjälpbandtag

## SÄKERHET

### ALLMÄNNA SÄKERHETSANVISNINGAR

 **OBS!** Läs noga igenom alla anvisningar. Fel som uppstår till följd av att anvisningarna nedan inte följts kan orsaka elstöt, brand och/eller allvariga kroppsskador. **Förvara alla varningar och anvisningar för framtida bruk.** Nedan använt begrepp "elverktyg" hänförs sig till nätdrivna elverktyg (med nätsladd).

### 1) ARBETSPLATSSÄKERHET

- Håll arbetsplatsen ren och välbelyst.** Oordning på arbetsplatsen eller dåligt belyst arbetsområde kan leda till olyckor.
- Använd inte elverktuget i explosionsfarlig omgivning med brännbara vätskor, gaser eller damm.** Elverktuget alstrar gnistor som kan antända dammet eller gaserna.
- Håll under arbetet med elverktuget barn och obehöriga personer på betryggande avstånd.** Om du störs av obehöriga personer kan du förlora kontrollen över elverktuget.

### 2) ELEKTRISK SÄKERHET

- Elverktugets stickpropp måste passa till vägguttaget. Stickproppen får absolut inte förändras. Använd inte adapterkontakter tillsammans med skyddsjordade elverktyg.** Oförändrade stickproppar och passande vägguttag reducerar risken för elektriskt slag.
- Undvik kroppskontakt med jordade ytor som t. ex. rör, värmelement, spisar och kylskåp.** Det finns en större risk för elektriskt slag om din kropp är jordad.
- Skydda elverktuget mot regn och väta.** Tränger vatten in i ett elverktyg ökar risken för elektriskt slag.
- Missbruka inte nätsladden och använd den inte för att bära eller hänga upp elverktuget och inte heller för att dra stickproppen ur vägguttaget. Håll nätsladden på avstånd från värme, olja, skarpa kanter och rörliga maskindelar.** Skadade eller tilltrasslade ledningar ökar risken för elektriskt slag.
- När du arbetar med ett elverktyg utomhus använd endast förlängningssladdar som är godkända för utomhusbruk.** Om en lämplig förlängningssladd för utomhusbruk används minskar risken för elektriskt slag.
- Använd en jordfelsbrytare om det inte är möjligt att undvika elverktugets användning i fuktig miljö.** Genom att använda en jordfelsbrytare minskas risken för elstöt.

### 3) PERSONSÄKERHET

- Var uppmärksam, kontrollera vad du gör och använd elverktuget med förnuft. Använd inte elverktuget när du är trött eller om du är påverkad av droger, alkohol eller mediciner.** Under användning av elverktyg kan även en kort uppmärksamhet leda till allvariga kroppsskador.

- b) **Bär alltid personlig skyddsutrustning och skyddsglasögon.** Användning av personlig skyddsutrustning som t. ex. dammfiltermask, halkfria säkerhetsskor, skyddshjälm och hörselskydd reducerar alltefter elverkygets typ och användning risken för kroppsskada.
- c) **Undvik oavsiktlig igångsättning. Kontrollera att elverkytet är fränkopplat innan du ansluter stickproppen till vägguttaget, tar upp eller bär elverkytet.** Om du bär elverkytet med fingret på strömställaren eller ansluter påkopplat elverkyt till nätströmmen kan olycka uppstå.
- d) **Ta bort alla inställningsverktyg och skruvnycklar innan du kopplar på elverkytet.** Ett verktyg eller en nyckel i en roterande komponent kan medföra kroppsskada.
- e) **Överskatta inte din förmåga. Se till att du står stadigt och håller balansen.** I detta fall kan du lättare kontrollera elverkytet i oväntade situationer.
- f) **Bär lämpliga kläder. Bär inte löst hängande kläder eller smycken. Håll håret, kläderna och handskarna på avstånd från rörliga delar.** Löst hängande kläder, smycken och långt hår kan dras in av roterande delar.
- g) **Vid elverkyt med dammsugnings- och - uppsamlingsutrustning kontrollera att anordningarna är rätt monterade och används på korrekt sätt.** Användning av dammsugning minskar de risker damm orsakar.
- 4) OMSORGSFULL HANTERING OCH ANVÄNDNING AV ELVERKTYG**
- a) **Överbelasta inte elverkytet. Använd för aktuellt arbete avsett elverkyt.** Med ett lämpligt elverkyt kan du arbeta bättre och säkrare inom angivet effektområde.
- b) **Ett elverkyt med defekt strömställare får inte längre användas.** Ett elverkyt som inte kan kopplas in eller ur är farligt och måste repareras.
- c) **Dra stickproppen ur vägguttaget innan inställningar utförs, tillbehörskomponenter byts ut eller elverkytet lagras.** Denna skyddsåtgärd förhindrar oavsiktlig inkoppling av elverkytet.
- d) **Förvara elverkyten oåtkomliga för barn. Låt elverkytet inte användas av personer som inte är förtrogna med dess användning eller inte läst denna anvisning.** Elverkyten är farliga om de används av oerfarna personer.
- e) **Sköt elverkytet omsorgsfullt. Kontrollera att rörliga komponenter fungerar felfritt och inte kärvar, att komponenter inte brustit eller skadats; orsaker som kan leda till att elverkygets funktioner påverkas menligt. Låt skadade delar repareras innan elverkytet återanvänds.** Många olyckor orsakas av dåligt skötta elverkyt.
- f) **Håll skärverktygen skarpa och rena.** Omsorgsfullt skötta skärverktyg med skarpa eggar kommer inte så lätt i kläm och går lättare att styra.

- g) **Använd elverkytet, tillbehör, insatsverktyg osv. enligt dessa anvisningar. Ta hänsyn till arbetsvillkoren och arbetsmomenten.**

Används elverkytet på icke ändamålsenligt sätt kan farliga situationer uppstå.

## 5) SERVICE

- a) **Låt elverkytet repareras endast av kvalificerad fackpersonal och med originalreservdelar.** Detta garanterar att elverkygets säkerhet upprätthålls.

## SÄKERHETSANVISNINGAR FÖR BORRHAMMARE

- **Använd hörselskydd med slagborrmaskiner** (utsättande för ljud kan orsaka bullerskador)
- **Använd extra handtaget som medföljer maskinen** (förlorad kontroll kan orsaka person skador)
- **Undvik skador genom att ta bort skruvar, spikar eller andra föremål ur arbetsstycket; ta dem bort innan du startar ett arbete**
- **Håll alltid sladden på säkert avstånd från rörliga maskindelar**
- **Sätt fast arbetsstycket** (ett arbetsstycke fastsatt med skruvtingar eller i ett skruvstöd är mera stabilt än om det hålls fast för hand)
- **När du ställer ifrån dig maskinen måste motorn vara frånslagen och de rörliga delarna ska ha stannat fullständigt**
- **Använd helt uttrullade och säkra förlängningssladdar med kapacitet på 16 A**
- **I händelse av onormala elektriska eller mekaniska störningar, stäng genast av maskinen och dra ur stickkontakten**
- **SKIL kan endast garantera att maskinen fungerar felfritt om originaltillbehör används**
- **Använd endast tillbehör vilkas tillåtna varvtal åtminstone motsvarar maskinens högsta tomgångsvarvtal**
- **Den här maskinen ska inte användas av personer under 16 år**
- **Använd lämpliga detektorer för lokalisering av dolda försörjningsledningar eller konsultera lokalt distributionsföretag** (kontakt med elledning kan förorsaka brand och elstöt; en skadad gasledning kan leda till explosion; borming i vattenledning kan förorsaka saksador eller elstöt)
- **Håll fast elverkytet endast vid de isolerade handtagen när arbeten utförs på ställen där insatsverktyget kan skada dolda elledningar eller egen nätsladd** (om elverkytet kommer i kontakt med en spänningsförande ledning sätts elverkygets metalldelar under spänning som sedan leder till elstöt)
- **Asbesthaltigt material får inte bearbetas** (asbest anses vara cancerframkallande)
- **Vidta skyddsåtgärder om risk finns för att hälsovådligt, brännbart eller explosivt damm uppstår under arbetet** (vissa damm klassificeras som cancerframkallande ämnen); använd en dammfiltermask och om möjligt damm-/spånutsugning
- **Skadas eller kapas nätsladden under arbetet, rör inte vid sladden utan dra genast ut stickkontakten**

- Använd ej maskinen om sladden är trasig; låt den byta ut av en kvalificerad person
- Kontrollera alltid att den tillförda strömtyper stämmer med spänningen som anges på maskinens märkplåt (maskiner med beteckningen 230V eller 240V kan även anslutas till 220V)
- Om borrar-bit tillfälligt skulle blockera (orsaka en ryckig och farlig reaktion), stäng genast av maskinen
- Var medveten om den kraft som uppstår i händelse av blockering (speciellt när du borrar i metaller); **använd alltid extrahandtaget H** ② och se till att du står stadigt
- **Dra alltid ur stickkontakten från väggurtaget innan du gör någon justering eller byter tillbehör**

## ANVÄNDNING

- Till/från ④
- Låsning av strömbrytare för kontinuerlig drift ⑤
- Varvtalesreglering för mjukstart ⑥
- Justering av maximalvarvtalet ⑦
- Med ratten B ② kan maximalvarvtalet justeras steglöst från minimum till maximum
- Reversering av rotationsriktningen ⑧
  - om inte vänster/höger är inställt i rätt läge, kan inte strömbrytaren A tryckas in
  - ! **ändra rotationsriktningen när maskinen är helt stilla**
- Utväljande av driftsläge ⑨
  - tryck på knappen F för att låsa upp omkopplaren E
  - vrid omkopplaren E till önskat driftsläge tills den spärras i läge
  - ! **arbeta endast när omkopplaren E är låst**
  - 1 = normal borrar/skruvdragning
  - 2 = slagborrning
  - 3 = mejsling med roterande mejsel
  - 4 = mejsling med fast mejsel
  - ! **välj driftsläge endast då maskinen är avstängd**
  - för borring i trä, metall och plast samt för skruvdragning måste motsvarande adapter användas (se: Användningstips)
  - slagborrmekanismen aktiveras genom ett lätt tryck på maskinen, när borren är i kontakt med arbetsmaterialet
  - det bästa slagborrresultatet uppnås genom endast ett lätt tryck på maskinen, vilket är tillräckligt för att den automatiska kopplingen skall aktiveras; borresultatet blir inte bättre genom att trycka hårdare på maskinen: SKIL LÅTER MASKINEN JOBBA ÅT DIG
- Mejsling med roterande mejsel ⑩
  - ! **stäng av maskinen och dra ut sladden**
  - välj roterande mejslingsläge
- Mejsling med fast mejsel ⑪
  - ! **stäng av maskinen och dra ut sladden**
  - välj roterande mejslingsläge
  - placera mejseln i önskat läge
  - välj fast mejslingsläge

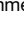
- Byte av bits ⑫
  - rengör och fetta in tillbehöret lätt innan det sätts i
  - dra tillbaka låshylsan G och för in tillbehöret i SDS-chuck samtidigt som du vrider och trycker tills den sitter fast; tillbehöret läser sig automatiskt
  - kontrollera låsningen genom att dra i tillbehöret
  - ta bort tillbehöret genom att dra tillbaka låshylsan G
  - ! **SDS+ tillbehöret måste vara fritt rörligt; genom detta uppstår under tomgång en ocenterad rörelse vilken upphör vid borring; detta påverkar ej borrets precision**
  - ! **använd aldrig bits/mejslar med trasig axel**
- Säkerhetskoppling
  - Om tillbehöret blockeras, frånkopplas spindelns drivkraft (orsakar en skramlande ljud)
  - stäng genast av maskinen
  - ta bort blockerat tillbehör
  - starta maskinen igen
- Justering av borrarjupet ⑬
- Fattning och styrning av maskinen ⑭
  - **använd alltid extrahandtaget H** ② (kan justeras enligt bilden)
  - håll ventilationsöppningarna ej övertäckta
  - lägg inte för mycket tryck på maskinen; låt maskinen göra arbetet åt dig

## ANVÄNDNINGSTIPS

- Använd rätt bits ⑮
  - ! **använd endast skarpa bits/mejslar**
- För borring i trä, metall och plast samt för skruvdragning använd motsvarande adapter (SKIL tillbehör 2610395660) ⑯
  - rengör och fetta in adaptern lätt innan det sätts i
  - dra tillbaka låshylsan G ② och för in adaptern i SDS-chuck samtidigt som du vrider och trycker tills den sitter fast; adaptern läser sig automatiskt
  - kontrollera låsningen genom att dra i adaptern
  - ställ in vridknappen E ② till normal borring (**används endast då maskinen inte är igång**)
- När du borrar i järnmetaller
  - förborra ett mindre hål då ett större behövs
  - olja in borren emellanåt
- Vid idragning av en skruv nära kortänden eller på sidan av trämaterialen skall förborring ske för att undvika sprickbildning
- Splinterfri borring i trä ⑰
- Dammfri borring i vägg ⑱
- Dammfri borring i tak ⑲
- Borring i kavel utan att slinta ⑳
- För fler tips se [www.skileurope.com](http://www.skileurope.com)

## GARANTI / MILJÖ

- Håll alltid din maskin och sladden ren (speciellt ventilationsöppningarna)
- ! **drag ur stickkontakten innan rengöring**
- För SKIL produkter lämnas garanti enligt respektive lands gällande föreskrifter; skador som orsakats av normalt slitage, överbelastning eller fel hantering omfattas ej av garantin


- Vid fel send maskinen i **odemonteret skick** tillsammans med inköpskvitto till din återförsäljare eller närmsta auktoriserad SKIL serviceverkstad (adresser till servicestationer och sprängskisser av maskiner finns på [www.skileurope.com](http://www.skileurope.com))
- **Elektriska verktyg, tillbehör och förpackning får inte kastas i hushållsoporna** (gäller endast EU-länder)
  - enligt direktivet 2002/96/EG som avser äldre elektrisk och elektronisk utrustning och dess tillämpning enligt nationell lagstiftning ska uttjänta elektriska verktyg sorteras separat och lämnas till miljövänlig återvinning
  - symbolen  kommer att påminna om detta när det är tid att kassera

DK

## Borehammer

1765

### INLEDNING

- Værktøjet er beregnet til slagboring i beton, tegl og sten samt til let mejslingsarbejde; til boring i træ, metal og kunststof samt til skruearbejde dog med specifikt tilbehør
- Slagsystemet i denne værktøj udkonkurrerer alle traditionelle slagboremaskiner ved boring i beton
- Dette værktøj er konstrueret til brug med alt standard SDS+ tilbehør
- Læs og gem denne betjeningsvejledning 


### TEKNISKE SPECIFIKATIONER

#### VÆRKTØJETS DELE

- A Afbryder til tænd/sluk og regulering af omdrejningstal
- B Hjul til justering af maximal-hastighed
- C Knap til fastlåsning af afbryderen
- D Arm til ændring af omdrejningsretningen
- E Omskifter for valg af driftsmodus
- F Åbneknapp
- G Låsemuff
- H Støttehåndtag

### SIKKERHED

#### GENERALE SIKKERHEDSINSTRUKSER

 **VIGTIGT!** Læs alle advarselshenvisninger og instrukser. I tilfælde af manglende overholdelse af advarselshenvisningerne og instrukserne er der risiko for elektrisk stød, brand og/eller alvorlige kvæstelser. **Opbevar alle advarselshenvisninger og instrukser til senere brug.** Det i advarselshenvisningerne benyttede begreb "el værktøj" refererer til netdrevet el værktøj (med netkabel).

#### 1) SIKKERHED PÅ ARBEJDSPLADSEN

- Sørg for, at arbejdsområdet er rent og ryddeligt.** Uorden eller uoplyste arbejdsområder øger faren for uheld.
- Brug ikke maskinen i eksplosionstruede omgivelser, hvor der er brændbare væsker, gasser eller støv.** El-værktøj kan slå gnister, der kan antænde støv eller dampe.
- Sørg for, at andre personer og ikke mindst børn holdes væk fra arbejdsområdet, når maskinen er i brug.** Hvis man distraheres, kan man miste kontrollen over maskinen.

#### 2) ELEKTRISK SIKKERHED

- Maskinens stik skal passe til kontakten. Stikket må under ingen omstændigheder ændres. Brug ikke adapterstik sammen med jordforbundne maskiner.** Uændrede stik, der passer til kontakterne, nedsætter risikoen for elektrisk stød.
- Undgå kropskontakt med jordforbundne overflader som f.eks. rør, radiatorer, komfurer og køleskabe.** Hvis din krop er jordforbundet, øges risikoen for elektrisk stød.
- Maskinen må ikke udsættes for regn eller fugt.** Indtrængning af vand i maskinen øger risikoen for elektrisk stød.
- Brug ikke ledningen til formål, den ikke er beregnet til (f.eks. må man aldrig bære maskinen i ledningen, hænge maskinen op i ledningen eller rykke i ledningen for at trække stikket ud af kontakten). Beskyt ledningen mod varme, olie, skarpe kanter eller maskindele, der er i bevægelse.** Beskadigede eller indviklede ledninger øger risikoen for elektrisk stød.
- Hvis maskinen benyttes i det fri, må der kun benyttes en forlængerledning, der er godkendt til udendørs brug.** Brug af forlængerledning til udendørs brug nedsætter risikoen for elektrisk stød.
- Hvis det ikke kan undgås at bruge maskinen i fugtige omgivelser, skal der bruges et HFI-relæ.** Brug af et HFI-relæ reducerer risikoen for at få elektrisk stød.

#### 3) PERSONLIG SIKKERHED

- Det er vigtigt at være opmærksom, se, hvad man laver, og bruge maskinen fornuftigt. Man bør ikke bruge maskinen, hvis man er træt, har nydt alkohol eller er påvirket af medicin eller euforiserende stoffer.** få sekunders uopmærksomhed ved brug af maskinen kan føre til alvorlige personskader.
- Brug beskyttelsesudstyr og hav altid beskyttelsesbriller på.** Brug af sikkerhedsudstyr som f.eks. støvmaske, skridsikkert fodtøj, beskyttelseshjelm eller høreværn afhængig af maskintype og anvendelse nedsætter risikoen for personskader.
- Undgå utilsigtet igangsætning. Kontrollér, at el værktøjet er slukket, før du tilslutter det til strømtilførslen, løfter eller bærer det.** Undgå at bære el værktøjet med fingeren på afbryderen og sørg for, at el værktøjet ikke er tændt, når det slutes til nettet, da dette øger risikoen for personskader.

- d) **Fjern indstillingsværktøj eller skruenøgle, inden maskinen tændes.** Hvis et stykke værktøj eller en nøgle sidder i en roterende maskindel, er der risiko for personskader.
- e) **Overvurder ikke dig selv. Sørg for at stå sikkert, mens der arbejdes, og kom ikke ud af balance.** Det er derved nemmere at kontrollere maskinen, hvis der skulle opstå uventede situationer.
- f) **Brug egnet arbejdstøj. Undgå løse beklædningsgenstande eller smykker. Hold hår, tøj og handsker væk fra dele, der bevæger sig.** Dele, der er i bevægelse, kan gribe fat i løstsiddende tøj, smykker eller langt hår.
- g) **Hvis støvudsugnings- og opsamlingsudstyr kan monteres, er det vigtigt, at dette tilsluttes og benyttes korrekt.** Brug af en støvopsugning nedsætter risikoen for personskader som følge af støv.
- 4) OMHYGGELIG OMGANG MED OG BRUG AF EL-VÆRKTØJ**
- a) **Undgå overbelastning af maskinen. Brug altid en maskine, der er beregnet til det stykke arbejde, der skal udføres.** Med den rigtige maskine arbejder man bedst og mest sikkert inden for det angivne effektområde.
- b) **Brug ikke en maskine, hvis afbryder er defekt.** En maskine, der ikke kan startes og stoppes, er farlig og skal repareres.
- c) **Træk stikket ud af stikkontakten, inden maskinen indstilles, der skiftes tilbehørsdele, eller maskinen lægges fra.** Disse sikkerhedsforanstaltninger forhindrer utilsigtet start af maskinen.
- d) **Opbevar ubenyttet el-værktøj uden for børns rækkevidde. Lad aldrig personer, der ikke er fortrolige med maskinen eller ikke har gennemlæst disse instrukser, benytte maskinen.** El-værktøj er farligt, hvis det benyttes af ukyndige personer.
- e) **Maskinen bør vedligeholdes omhyggeligt. Kontroller, om bevægelige dele fungerer korrekt og ikke sidder fast, og om delene er brækket eller beskadiget, således at maskinens funktion påvirkes. Få beskadigede dele repareret, inden maskinen tages i brug.** Mange uheld skyldes dårligt vedligeholdte maskiner.
- f) **Sørg for, at skæreværktøjer er skarpe og rene.** Omhyggeligt vedligeholdte skæreværktøjer med skarpe skærekanter sætter sig ikke så hurtigt fast og er nemmere at fjerne.
- g) **Brug el-værktøj, tilbehør, indsatsværktøj osv. iht. disse instrukser. Tag hensyn til arbejdsforholdene og det arbejde, der skal udføres.** I tilfælde af anvendelse af værktøjet til formål, som ligger uden for det fastsatte anvendelsesområde, kan der opstå farlige situationer.
- 5) SERVICE**
- a) **Sørg for, at maskinen kun repareres af kvalificerede fagfolk, og at der kun benyttes originale reservedele.** Dermed sikres størst mulig maskinsikkerhed.

## SIKKERHEDSINSTRUKSER FOR BOREHAMMER

- **Anvend høreværn ved brug af slagboremaskine** (udsætning for støj kan forårsage høreskader)
- **Anvend det støttegrebet som følger med maskinen** (manglende kontrol kan forårsage personlige skader)
- **Undgå skader forårsaget af skruer, søm eller andre materialer i arbejdsstykket; fjern disse før De begynder at arbejde**
- **Hold altid ledningen væk fra værktøjets bevægelige dele**
- **Fastgør emnet** (det er sikrere at holde emner i en fastgøringsanordning eller skruestik end med hånden)
- **Efter endt arbejde skal afbryderen afbrydes og alle bevægelige dele være stoppet før værktøjet sættes til side**
- **Anvend helt udrullede og sikre forlængerledninger med en kapacitet på 16 A**
- **I tilfælde af elektrisk eller mekanisk fejlfunktion skal afbryderen straks afbrydes og stikket tages ud af kontakten**
- **SKIL kan kun sikre en korrekt funktion af værktøjet, hvis der benyttes originalt tilbehør**
- **Der må kun benyttes tilbehør, hvis godkendte omdrejningstal er mindst så højt som værktøjets max. omdrejningstal i ubelastet tilstand**
- **Dette værktøj må ikke bruges af personer under 16 år**
- **Anvend egnede søgeinstrumenter til at finde frem til skjulte forsyningsledninger eller kontakt det lokale forsyningselskab** (kontakt med elektriske ledninger kan føre til brand og elektrisk stød; beskadigelse af en gasledning kan føre til eksplosion; brud på et vandrør kan føre til materiel skade eller elektrisk stød)
- **Hold altid kun el-værktøjet i de isolerede gribeblader, når du udfører arbejde, hvor indsatsværktøjet kan ramme bøjede strømledninger eller værktøjets eget kabel** (kontakt med en spændingsførende ledning sætter også metaldele under spænding, hvilket fører til elektrisk stød)
- **Bearbejd ikke asbestholdigt materiale** (asbest er kræftfremkaldende)
- **Træf de nødvendige foranstaltninger, hvis sundhedsskadeligt, brændbart eller eksplosivt støv kan opstå under arbejdet** (noget støv kan være kræftfremkaldende); brug en støvbeskyttelsesmaske samt en støv-/spåneopsugning, hvis en sådan kan tilsluttes
- **Hvis kablet beskadiges eller skæres over under arbejdet, ikke berør kablet, og straks træk ud stikket**
- **Brug ikke værktøjet, hvis kablet er beskadiget; få det skiftet ud af en anerkendt fagmand**
- **Kontrollér altid at forsyningspændingen er den samme som den spænding, der er anført på værktøjets navneskilt** (værktøj med betegnelsen 230V eller 240V kan også tilsluttes til 220V)
- **Hvis boret blokerer uventet (førende til en rykagtig farlig reaktion), skal værktøjet straks afbrydes**
- **Vær opmærksom på de opståede kræfter af blokering (især ved boring i metal); anvend altid støttegrebet H ② og sørg for at stå sikkert**



- **Fjern altid først stikket fra kontakten, førend De foretager nogle ændringer eller skifter tilbehør**

## BETJENING

- Tænd/sluk ④
- Fastlåsning af afbryderen til vedvarende drift ⑤
- Regulering af omdrejningstal til blød start ⑥
- Justering af maksimal-hastighed ⑦
- Ved hjælp af hjulet B ② kan maksimalhastigheden justeres trinløst fra min. til max.
- Ændring af omdrejningsretningen ⑧
  - afbryderen A kan ikke aktiveres, hvis venstre/højre stillingen ikke er indstillet nøjagtigt
- ! **ændre kun omdrejningsretningen når værktøjet er standset helt**
- Valg af driftsmodus ⑨
  - tryk på knap F for at låse kontakt E op
  - drej kontakt E i den ønskede driftstilstand, indtil den smækker i lås
- ! **begynd ikke at arbejde, før kontakt E er låst**
  - 1 = normal boring/skrurning
  - 2 = slagboring
  - 3 = mejsling med roterende mejsel
  - 4 = mejsling med fast mejsel
- ! **vælg kun driftsmodus når værktøjet er slukket**
  - til boring i træ, metal og kunststof samt til skruearbejde skal dertil hørende adapter anvendes (se: Gode råd)
  - slag mekanismen aktiveres med et let tryk på værktøjet når boret i berøring med materialet
  - det bedste slagborings resultat opnås ved et let tryk på værktøjet, hvorved den automatiske kobling bliver aktiveret borehastigheden vil ikke blive forøget ved større tryk på værktøjet: SKIL LADER VÆRKTØJET ARBEJDE FOR DIG
- Mejsling med roterende mejsel ⑩
  - ! **sluk værktøjet og træk stikket ud af stikkontakten**
  - vælg "roterende" mejsling
- Mejsling med fast mejsel ⑪
  - ! **sluk værktøjet og træk stikket ud af stikkontakten**
  - vælg "roterende" mejsling
  - anbring mejsel i den ønskede position
  - vælg "fast" mejsling
- Ombytning af bits ⑫
  - tilbehør skal renses og indfedtes let, før det isættes
  - træk låsemuffen G tilbage og indsæt tilbehøret i SDS+ borepatronen, mens du drejer og trykker, til den sidder fast; tilbehør bliver automatisk låst fast
  - kontroller fastlåsnings ved at trække i tilbehøret
  - tag tilbehøret ud ved at trække låsemuffen G tilbage
- ! **SDS+ tilbehøret skal være frit bevægeligt hvorved opstår i tomgang en rundløbsafvigelse; tilbehøret bliver automatisk centreret ved boring og dette har ingen påvirkning af borehullets nøjagtighed**
- ! **brug ikke bits/mejsler med beskadiget skaft**
- Sikkerhedskobling
  - Hvis tilbehøret blokerer, afbrydes fremdriften af spindlen (der fører til en skrاملende lyd)
  - sluk straks for værktøjet

- fjern blokeret tilbehør
- tænd værktøjet igen
- Indstilling af boreedybden ⑬
- Håndtering og styring af værktøjet ⑭
  - **anvend altid støttegrebet H ②** (kan justeres som vist)
  - hold ventilationshullerne udækkede
  - pres ikke for hårdt med værktøjet; lad værktøjet gøre arbejdet for dig

## GODE RÅD

- Brug rigtige bits ⑮
  - ! **brug kun skarpe bits/mejsler**
- Til boring i træ, metal og kunststof samt til skruearbejde anvend den dertil hørende adapter (SKIL tilbehør 2610395660) ⑯
  - adapter skal renses og indfedtes let, før det isættes
  - træk låsemuffen G ② tilbage og indsæt adapter i SDS+ borepatronen, mens du drejer og trykker, til den sidder fast; adapter bliver automatisk låst fast
  - kontroller fastlåsnings ved at trække i adapter
  - stil afbryderen E ② på normal borings indstilling (**må kun aktiveres når værktøjet er i stilstand**)
- Ved boring i metal
  - forbor et mindre hul, når et stort hul skal bores
  - sørg for at smøre boret en gang imellem med olien
- Ved iskrurning af en skrue nær endeflader eller i endetræ bør der forbores for at undgå splinter i træet
- Splintfri boring i træ ⑰
- Støvfri boring i vægge ⑱
- Støvfri boring i lofter ⑲
- Boring i fiser uden udskridning ⑳
- For flere tips se [www.skileurope.com](http://www.skileurope.com)

## GARANTI / MILJØ

- Hold værktøjet og ledningen ren (især ventilationshullerne)
- ! **træk stikket ud før rensning**
- Vi yder garanti på SKIL produkter i henhold til de lovmæssige bestemmelser og de bestemmelser, som gælder i det enkelte land; garantien dækker ikke normal slidtage, overbelastning eller fejlagtig anvendelse af værktøjet
- I tilfælde af en klage, send venligst det **uskilte** værktøj sammen med et køb-bevis til Deres værktøjsforhandler eller nærmeste autoriseret SKIL service værksted (adresser og reservedelstegning af værktøjet findes på [www.skileurope.com](http://www.skileurope.com))
- **Elværktøj, tilbehør og emballage må ikke bortskaffes som almindeligt affald** (kun for EU-lande)
  - i henhold til det europæiske direktiv 2002/96/EF om bortskaffelse af elektriske og elektroniske produkter og gældende national lovgivning, skal brugt elværktøj indsamles separat og bortskaffes på en måde, der skåner miljøet mest muligt
  - symbolet ㉑ erindrer dig om dette, når udskiftning er nødvendig

## INTRODUKSJON

- Dette verktøyet er beregnet til slagboring i betong, mursten og sten samt på lett meisling; til boring i tre, metall og kunststoff og dessuten til skruing, men med spesifikt tilbehør
- Slagboringssystemet i dette verktøyet overgår alle tradisjonelle slagboremekanismer ved bruk i betong
- Dette verktøyet er spesielt konstruert til bruk sammen med alt standard SDS+ tilbehør
- Les og ta vare på denne brukerveiledningen ③

## TEKNISKE OPPLYSNINGER ①

### VERKTØYELEMENTER ②

- A Bryter til av/på og turtallsregulering
- B Hjul for maksimumshastighetsregulering
- C Knapp til låsing av bryteren
- D Hendel til endring av dreieretning
- E Bryter til valg av driftsmodus
- F Frigjøringsknapp
- G Låsehylse
- H Støtthåndtak

## SIKKERHET

### GENERELLE SIKKERHETSANVISNINGER

**⚠ OBS! Les gjennom alle advarslene og anvisningene.** Feil ved overholdelsen av advarslene og nedenstående anvisninger kan medføre elektriske støt, brann og/eller alvorlige skader. **Ta godt vare på alle advarslene og informasjonene.** Det nedenstående anvendte uttrykket “elektroverktøy” gjelder for strøm-drevne elektroverktøy (med ledning).

#### 1) SIKKERHET PÅ ARBEIDSPLASSEN

- a) **Hold arbeidsområdet rent og ryddig.** Rotete arbeidsområder eller arbeidsområder uten lys kan føre til ulykker.
- b) **Ikke arbeid med maskinen i eksplosjonsutsatte omgivelser – der det befinner seg brennbare væsker, gass eller støv.** Elektroverktøy lager gnister som kan antenne støv eller damper.
- c) **Hold barn og andre personer unna når elektroverktøyet brukes.** Hvis du blir forstyrret under arbeidet, kan du miste kontrollen over maskinen.

#### 2) ELEKTRISK SIKKERHET

- a) **Støpselet til maskinen må passe inn i stikkkontakten. Støpselet må ikke forandres på noen som helst måte. Ikke bruk adapterstøpsler sammen med jordede maskiner.** Bruk av støpsler som ikke er forandret på og passende stikkontakter reduserer risikoen for elektriske støt.

- b) **Unngå kroppskontakt med jordede overflater slik som rør, ovner, komfyrer og kjøleskap.** Det er større fare ved elektriske støt hvis kroppen din er jordet.
- c) **Hold maskinen unna regn eller fuktighet.** Dersom det kommer vann i et elektroverktøy, øker risikoen for elektriske støt.
- d) **Ikke bruk ledningen til andre formål, f.eks. til å bære maskinen, henge den opp eller trekke den ut av stikkkontakten. Hold ledningen unna varme, olje, skarpe kanter eller maskindeler som beveger seg.** Med skadede eller opphøpede ledninger øker risikoen for elektriske støt.
- e) **Når du arbeider utendørs med et elektroverktøy, må du kun bruke en skjøteledning som er godkjent til utendørs bruk.** Når du bruker en skjøteledning som er egnet for utendørs bruk, reduseres risikoen for elektriske støt.
- f) **Hvis det ikke kan unngås å bruke elektroverktøyet i fuktige omgivelser, må du bruke en jordfeilbryter.** Bruk av en jordfeilbryter reduserer risikoen for elektriske støt.

#### 3) PERSONSIKKERHET

- a) **Vær oppmerksom, pass på hva du gjør, gå fornuftig frem når du arbeider med et elektroverktøy. Ikke bruk maskinen når du er trett eller er påvirket av narkotika, alkohol eller medikamenter.** Et øyeblikks uoppmerksomhet ved bruk av maskinen kan føre til alvorlige skader.
- b) **Bruk personlig verneutstyr og husk alltid å bruke vernebriller.** Bruk av personlig sikkerhetsutstyr som støvmaske, sklifaste arbeidssko, hjelm eller hørselvern – avhengig av type og bruk av elektroverktøyet – reduserer risikoen for skader.
- c) **Unngå å starte verktøyet ved en feiltagelse. Forviss deg om at elektroverktøyet er slått av før du kobler det til strømmen, løfter det opp eller bærer det.** Hvis du holder fingeren på bryteren når du bærer elektroverktøyet eller kobler elektroverktøyet til strømmen i innkoblet tilstand, kan dette føre til uhell.
- d) **Fjern innstillingsverktøy eller skrunøkler før du slår på elektroverktøyet.** Et verktøy eller en nøkkel som befinner seg i en roterende maskindel, kan føre til skader.
- e) **Ikke overvurder deg selv. Sørg for å stå stødig og i balanse.** Dermed kan du kontrollere maskinen bedre i uventede situasjoner.
- f) **Bruk alltid egnede klær. Ikke bruk vide klær eller smykker. Hold hår, tøy og hansker unna deler som beveger seg.** Løst sittende tøy, smykker eller langt hår kan komme inn i deler som beveger seg.
- g) **Hvis det kan monteres støvavsug- og oppsamlingsinnretninger, må du forviss deg om at disse er tilkoblet og brukes på korrekt måte.** Bruk av et støvavsug reduserer faren på grunn av støv.

#### 4) AKTSOM HÅNDBETING OG BRUK AV ELEKTROVERKTØY

- a) **Ikke overbelast maskinen. Bruk et elektroverktøy som er beregnet til den type arbeid du vil utføre.** Med et passende elektroverktøy arbeider du bedre og sikrere i det angitte effektområdet.
- b) **Ikke bruk elektroverktøy med defekt på-/avbryter.** Et elektroverktøy som ikke lenger kan slås av eller på, er farlig og må repareres.
- c) **Trekk støpselet ut av stikkkontakten før du utfører innstillinger på maskinen, skifter tilbehørsdeler eller legger maskinen bort.** Disse tiltakene forhindrer en utilsiktet startung av maskinen.
- d) **Elektroverktøy som ikke er i bruk må oppbevares utilgjengelig for barn. Ikke la maskinen brukes av personer som ikke er fortrolig med dette eller ikke har lest disse anvisningene.** Elektroverktøy er farlige når de brukes av uerfarne personer.
- e) **Vær nøye med vedlikeholdet av maskinen. Kontroller om bevegelige maskindeler fungerer feilfritt og ikke klemmes fast, og om deler er brukket eller skadet, slik at dette innvirker på maskinens funksjon. La skadede deler repareres før maskinen brukes.** Dårlig vedlikeholdte elektroverktøy er årsaken til mange uhell.
- f) **Hold skjæreverktøyene skarpe og rene.** Godt stelte skjæreverktøy med skarpe skjær setter seg ikke så ofte fast og er lettere å føre.
- g) **Bruk elektroverktøy, tilbehør, verktøy osv. i henhold til disse anvisningene. Ta hensyn til arbeidsforholdene og arbeidet som skal utføres.** Bruk av elektroverktøy til andre formål enn det som er angitt kan føre til farlige situasjoner.

#### 5) SERVICE

- a) **Maskinen din skal alltid kun repareres av kvalifisert fagpersonale og kun med originale reservedeler.** Slik opprettholdes maskinens sikkerhet.

#### SIKKERHETSANVISNINGER FOR BORHAMMER

- **Anvend høreværn ved bruk af slagbormaskiner** (utsats for støy kan forårsake høreskader)
- **Anvend det sidehåndtaket som følger med maskinen** (manglende kontroll kan forårsake personlige skader)
- Ungå skade p.g.a. skruer, spiker eller andre elementer i arbeidsstykket; fjernes før man starter jobben
- Hold alltid kabelen borte fra bevegelige deler på verktøyet
- **Sett fast arbeidsstykket** (et arbeidsstykke som er sikret med klemmer, sitter sikrere enn om det holdes fast for hånd)
- Når du setter bort verktøyet må bryteren slås av, bevegelige deler må være helt stoppet
- Bruk helt utrullet og sikker skjøteledning med en kapasitet på 16 A
- I tilfelle en elektrisk eller mekanisk svikt, skal verktøyet med en gang slås av og støpslet trekkes ut
- SKIL kan kun garantere et feilfritt verktøy dersom original-tilbehør brukes
- Bruk kun tilbehør med et godkjent turtall som er minst like høyt som verktøyets høyeste tomgangsturtall

- Verktøyet må ikke brukes av personer under 16 år
- **Bruk egnede detektorer til å finne skjulte strøm-/gass-/vannledninger, eller spør hos det lokale el-/gass-/vannverket** (kontakt med elektriske ledninger kan medføre brann og elektrisk støt; skader på en gassledning kan føre til eksplosjon; inntrenging i en vannledning forårsaker materielle skader og kan medføre elektriske støt)
- **Ta kun tak i elektroverktøyet på de isolerte gripeflatene, hvis du utfører arbeid der innsatsverktøyet kan treffe på skjulte strømledninger eller den egne strømledningen** (kontakt med en spenningsførende ledning setter også elektroverktøyets metalldele under spenning og fører til elektriske støt)
- **Ikke bearbeid asbestholdig material** (asbest kan fremkalle kreft)
- **Utfør beskyttelseiltak hvis det kan oppstå helsefarlig, brennbar eller eksplosivt støy under arbeidet** (enkelte støy typer kan være kreftfremkallende); bruk en støvmaske og bruk et støv-/sponavsug, hvis dette kan koples til
- Hvis kabelen skades eller kappes under arbeid må kabelen ikke berøres, men støpselet straks trekkes ut
- Bruk ikke verktøyet dersom kabel er skadet; få den skiftet ud af en anerkendt fagmand
- Sjekk alltid at tilført spenningen er den samme som oppgitt på verktøyets merkeplate (verktøy som er betegnet med 230V eller 240V kan også tilkoples 220V)
- Hvis boret plutselig skulle blokkere (førende til en rykkagtig farlig reaksjon), slå øyeblikkelig av bryteren
- Ta hensyn til de krefter som da oppstår ved blokkering (spesielt ved boring i metaller); **bruk alltid sidehåndtaket H ②** og pass på å stå stødig
- **Ta alltid ut kontakten før du forandrer innstillinger på sagen eller skifter tilbehør**

#### BRUK

- Av/på ④
  - Låsning av bryteren for permanent drift ⑤
  - Turtallsregulering for myk-start ⑥
  - Variabel maksimumshastighet ⑦
- Maksimumshastighet kan justeres trinnløs fra minimum til maksimum med hjelp av hjulet B ②
- Endring av dreieretning ⑧
    - hvis ikke retningshendelen er riktig satt i venstre/høyre posisjon, sperres bryteren A
- ! endre bare dreieretning når verktøyet er helt stillestående**
- Valg av driftsmodus ⑨
    - trykk inn knappen F for å frigjøre bryteren E
    - vri bryteren E til ønsket driftsmodus inntil den snepper på plass
- ! ikke begynn å jobbe før bryteren E er låst på plass i riktig posisjon**
- 1 = normal boring/skrugging
  - 2 = slagboring
  - 3 = meisling med den roterende meiselen
  - 4 = meisling med den faste meiselen

## ! **velg driftsmodus når verktøyet er slått av**

- til boring i tre, metall og kunststoff og dessuten til skruing må tilhørende adapteren brukes (se: Bruker tips)
- slagmekanismen aktiveres ved å tifføre et lett trykk bak på drillen når boret står i kontakt med arbeidsmaterialet
- beste slagboringsresultat oppnås ved kun lett belastning på drillen, bare nok til å holde den automatiske clutchen aktivert; resultatet forbedres ikke ved å legge mer kraft på drillen: SKIL LAR VERKTØYET JOBBE FOR DEG
- Meisling med den roterende meiselen ⑩
  - ! **slå av verktøyet og trekk støpslet ut av kontakten**
  - velg modus for roterende meisling
- Meisling med den faste meiselen ⑪
  - ! **slå av verktøyet og trekk støpslet ut av kontakten**
  - velg modus for roterende meisling
  - sett meiselen på ønsket sted
  - velg modus for fast meisling
- Bytting av bits ⑫
  - tilbehør må renses og fettes lett inn før bruk
  - trekk tilbake låsehylsen G og sett inn tilbehøret i SDS+ chucken mens du vrir og skyver til den griper; tilbehøret låses automatisk fast
  - kontrollør at tilbehøret er festet ved å trekke i det
  - fjern tilbehøret ved å trekke tilbake låsehylsen G
  - ! **SDS+ tilbehøret må bevegges fritt, ved tomgang vil dermed tilbehøret være usentrert, men senteres automatisk ved belastning uten at dette påvirker bor-nøyaktigheten**
  - ! **bruk aldri bit/meisler med skadet tange**
- Sikkerhetskopling  
Dersom tilbehøret kjøres fast, avbrytes driften av spindelen (førende til en skramlende støy)
  - slå øyeblikkelig av verktøyet
  - fjern fastkjøret tilbehør
  - slå på verktøyet igjen
- Justering av boreddybden ⑬
- Grep og styring av verktøyet ⑭
  - **bruk alltid sidehåndtaket H ②** (kan justeres som vist)
  - hold ventilasjonsåpningen utdekket
  - ikke utøv for meget press på verktøyet; la verktøyet gjøre jobben for deg

## BRUKER TIPS

- Bruk riktigt bits ⑮
  - ! **bruk alltid skarpt bit/meisler**
- Til boring i tre, metall og kunststoff og dessuten til skruing bruk den tilhørende adapteren (SKIL tilbehør 2610395660) ⑯
  - adapter må renses og fettes lett inn før bruk
  - trekk tilbake låsehylsen G ② og sett inn adapteren i SDS+ chucken mens du vrir og skyver til den griper; adapteren låses automatisk fast
  - kontrollør at adapteret er festet ved å trekke i det
  - sett bryteren E ② på normal boringsfunksjon (**må kun betjenes når verktøyet er slått av**)

- Ved boring i jernholdige metaller
  - bor først et lite hull, når et stort hull er krevet
  - smør boret av og til med olje
- Ved skruing ute ved materialkanten er det en fordel å forbore for a ongå at materialet sprekker
- Splinterfri boring i tre ⑰
- Støvfri boring i vegger ⑱
- Støvfri boring i tak ⑲
- Boring i fliser uten skli ⑳
- Se flere tips på [www.skileurope.com](http://www.skileurope.com)

## GARANTI / MILJØ

- Hold alltid verktøyet og kabelen ren (spesielt ventilasjons hullene)
  - ! **dra ut støpselet før rengjøring**
- For SKIL-produkter ytes det garanti i henhold til de lovbestemte/nasjonale bestemmelser; skader som kan tilbakeføres til naturlig slitasje, overbelastning eller uriktig behandling er utelukket fra garantien
- I tilfelle klage send verktøyet i **montert** tilstand med kjøpsbevis til leverandøren eller nærmeste SKIL serviceverksted (adresser liksom service diagram av verktøyet finner du på [www.skileurope.com](http://www.skileurope.com))
- **Kast aldri elektroverktøy, tilbehør og emballasje i husholdningsavfallet** (kun for EU-land)
  - i henhold til EU-direktiv 2002/96/EF om kasserte elektriske og elektroniske produkter og direktivets iverksetting i nasjonal rett, må elektroverktøy som ikke lenger skal brukes, samles separat og returneres til et miljøvennlig gjenvinningsanlegg
  - symbolet ⑳ er påtrykt som en påminnelse når utskifting er nødvendig

FIN

Poravasara

1765

## ESITTELY

- Koneet on tarkoitettu iskuporaukseen betoniin, tiileen ja kiveen sekä keveään talttatyöhön; porattaessa puuta, metallia tai muovia tai ruuvattaessa on käytettävä erikseen näille materiaaleille tarkoitettuja tarvikkeita
- Iskumekanismi tekee tarpeettomaksi kaikki traditionaaliset iskuporat porattaessa betoniin
- Tässä koneessa voidaan käyttää tavallisia SDS+ tarvikkeita
- Lue ja säilytä tämä ohjekirja ③

## TEKNISET TIEDOT ①

### LAITTEEN OSAT ②

- A On/off- ja nopeudensäätökytkin
- B Pyörä maksiminopeuden säätämistä varten
- C Kytkimen lukituksen painike
- D Vipu pyörintäsuunnan vaihtamiseksi

- E Kytkin käyttötilan valitsemiseksi
- F Vapautuspainike
- G Lukitusohjelki
- H Apukahva

## TURVALLISUUS

### YLEISET TURVALLISUUSOHJEET

**⚠️ HUOMIO!** Lue kaikki turvallisuus- ja muut ohjeet. Turvallisuusohjeiden noudattamisen laiminlyönti saattaa johtaa sähköiskuun, tulipaloon ja/tai vakavaan loukkaantumiseen. **Säilytä kaikki turvallisuus- ja muut ohjeet tule-vaaisuutta varten.** Turvallisuusohjeissa käytetty käsite ”sähkötyökalu” käsittää verkkokäyttöisiä sähkötyökaluja (verkkojohdolla).

### 1) TYÖPAIKAN TURVALLISUUS

- a) **Pidä työskentelyalue puhtaana ja hyvin valaistuna.** Työpaikan epäjärjestys tai valaisemattomat työalueet voivat johtaa tapaturmiin.
- b) **Älä työskentele sähkötyökalulla räjähdysalttiissa ympäristössä, jossa on palavaa nestettä, kaasua tai pölyä.** Sähkötyökalu muodostaa kipinöitä, jotka saattavat sytyttää pölyn tai höyryt.
- c) **Pidä lapset ja sivulliset loitolla sähkötyökalua käyttäessäsi.** Voit menettää laitteesi hallinnan, huomiosi suuntautuessa muualle.

### 2) SÄHKÖTURVALLISUUS

- a) **Sähkötyökalun pistotulpan tulee sopia pistorasiaan.** Pistotulppaa ei saa muuttaa millään tavalla. Älä käytä mitään pistorasia-adaptoreita maadoitettujen sähkötyökalujen kanssa. Alkuperäisessä kunnossa olevat pistotulpat ja sopivat pistorasiat vähentävät sähköiskun vaaraa.
- b) **Vältä koskettamasta maadoitettuja pintoja, kuten putkia, pattereita, liesiä tai jääkaappeja.** Sähköiskun vaara kasvaa, jos kehosi on maadoitettu.
- c) **Älä aseta sähkötyökalua alttiiksi sateelle tai kosteudelle.** Veden tunkeutuminen sähkötyökalun sisään kasvattaa sähköiskun riskiä.
- d) **Älä käytä verkkojohtoa väärin. Älä käytä sitä sähkötyökalun kantamiseen, vetämiseen tai pistotulpan irrottamiseen pistorasiasta. Pidä johto loitolla kuumuudesta, öljystä, terävistä ruunoista ja liikkuvista osista.** Vahingoittuneet tai sotkeutuneet johdot kasvattavat sähköiskun vaaraa.
- e) **Käyttäessäsi sähkötyökalua ulkona, käytä ainoastaan ulkokäyttöön soveltuvaa jatkojohtoa.** Ulkokäyttöön soveltuvan jatkojohdon käyttö pienentää sähköiskun vaaraa.
- f) **Jos sähkötyökalun käyttö kosteassa ympäristössä ei ole vältettävissä, tulee käyttää maavuotokatkaisijaa.** Maavuotokatkaisijan käyttö vähentää sähköiskun vaaraa.

### 3) HENKILÖTURVALLISUUS

- a) **Ole valpas, kiinnitä huomiota työskentelyysi ja noudata tervettä järkeä sähkötyökalua käyttäessäsi. Älä käytä sähkötyökalua, jos olet väsynyt tai huumeiden, alkoholin tahi lääkkeiden vaikutuksen alaisena.** Hetken tarkkaamattomuus sähkötyökalua käytettäessä, saattaa johtaa vakavaan loukkaantumiseen.
  - b) **Käytä suojarusteita. Käytä aina suojalaseja.** Henkilökohtaisen suojarustuksen käyttö, kuten pölynaamarin, luistamattomien turvakenkien, suojakypärän tai kuulonsuojaimien, riippuen sähkötyökalun lajista ja käyttötavasta, vähentää loukaantumisriskiä.
  - c) **Vältä tahaton käynnistämistä. Varmista, että sähkötyökalu on poiskytkettynä, ennen kuin liität sen sähköverkkoon, otat sen käteen tai kannat sitä.** Jos kannat sähkötyökalua sormi käynnistyskytkimellä tai kytket sähkötyökalun pistotulpan pistorasiaan, käynnistyskytkimen ollessa käyntiasennossa, altistat itsesi onnettomuuksille.
  - d) **Poista kaikki säätötyökalut ja ruuvitalat, ennen kuin käynnistät sähkötyökalun.** Työkalu tai avain, joka sijaitsee laitteen pyörivässä osassa, saattaa johtaa loukkaantumiseen.
  - e) **Älä yliarvioi itseäsi. Huolehdi aina tukevasta seisoma-asennosta ja tasapainosta.** Täten voit paremmin hallita sähkötyökalua odottamattomissa tilanteissa.
  - f) **Käytä tarkoitukseen soveltuvia vaatteita. Älä käytä löysiä työvaatteita tai koruja. Pidä hiukset, vaatteet ja käsineet loitolla liikkuvista osista.** Välijät vaatteet, korut ja pitkät hiukset voivat takertua liikkuviin osiin.
  - g) **Jos polynimu- ja keräilylaitteita voidaan asentaa, tulee sinun tarkistaa, että ne on liitetty ja että ne käytetään oikealla tavalla.** Polynimulaitteiston käyttö vähentää pölyn aiheuttamia vaaroja.
- ### 4) SÄHKÖTYÖKALUJEN KÄYTTÖ JA HOITO
- a) **Älä ylikuormita laitetta. Käytä kyseiseen työhön tarkoitettua sähkötyökalua.** Sopivaa sähkötyökalua käyttäen työskentelet paremmin ja varmemmin tehoalueella, jolle sähkötyökalu on tarkoitettu.
  - b) **Älä käytä sähkötyökalua, jota ei voida käynnistää ja pysäyttää käynnistyskytkimestä.** Sähkötyökalu, jota ei enää voida käynnistää ja pysäyttää käynnistyskytkimellä, on vaarallinen ja se täytyy korjata.
  - c) **Irrota pistotulppa pistorasiasta, ennen kuin suoritat säätöjä, vaihdat tarvikkeita tai siirät sähkötyökalun varastoitavaksi.** Nämä turvatoimenpiteet pienentävät sähkötyökalun tahattoman käynnistysriskin.
  - d) **Säilytä sähkötyökalut poissa lasten ulottuvilta, kun niitä ei käytetä. Älä anna sellaisten henkilöiden käyttää sähkötyökalua, jotka eivät tunne sitä tai jotka eivät ole lukeneet tätä käyttöohjetta.** Sähkötyökalut ovat vaarallisia, jos niitä käyttävät kokemattomat henkilöt.

- e) **Hoida sähkötyökalusi huolella.** Tarkista, että **liikkuvat osat toimivat moitteettomasti, eivätkä ole puristuksessa sekä, että siinä ei ole murtuneita tai vahingoittuneita osia, jotka saattaisivat vaikuttaa haitallisesti sähkötyökalun toimintaan.** Anna korjauttaa mahdolliset viat ennen käyttöönottoa. Monen tapaturman syyt löytyvät huonosti huolletuista laitteista.
- f) **Pidä leikkausterät terävinä ja puhtaina.** Huolellisesti hoidetut leikkaustyökalut, joiden leikkausreunat ovat teräviä, eivät tartu helposti kiinni ja niitä on helpompi hallita.
- g) **Käytä sähkötyökaluja, tarvikkeita, vaihtotyökaluja jne. näiden ohjeiden mukaisesti. Ota tällöin huomioon työolosuhteet ja suoritettava toimenpide.** Sähkötyökalun käyttö muuhun kuin sille määrättyyn käyttöön, saattaa johtaa vaarallisiin tilanteisiin.
- 5) HUOLTO**
- a) **Anna koulutettujen ammattihenkilöiden korjata sähkötyökalusi ja hyväksy korjauksiin vain alkuperäisiä varaosia.** Täten varmistat, että sähkötyökalu säilyy turvallisena.

## PORAVASARAN TURVALLISUUSOHJEET

- **Käytä kuulosuojaimia iskuporakoneen kanssa** altistuminen melulle voi vaurioittaa kuuloa)
- **Käytä koneen mukana toimitettavaa apukahvaa** (laitteen hallinnan menettäminen saattaa johtaa loukkaantumiseen)
- Vältä vaaralliset vahingot, jotka voivat aiheutua nauloista, ruuveista tai muista aineista työstettävässä materiaalisissa; poista ne ennen työskentelyn aloittamista
- Pidä johto aina poissa työkalun liikkuvien osien läheisyydestä
- **Kiinnitä työstettävä kappale** (kiinnittimeen tai puristimeen kiinnitetty työstettävä kappale pysyy tukevammin paikoillaan kuin käsin pidettäessä)
- Kun panet koneen pois, sammuta moottori ja varmistat, että kaikki liikkuvat osat ovat pysähtyneet
- Käytä täysin rullaamattomia ja turvallisia jatkejohtoja, joiden kapasiteetti on 16 ampeeria
- Jos huomaat sähköisen tai mekaanisen vian, sammuta kone heti ja irroita liitosjohto pistorasiasta
- SKIL pystyy takaamaan työkalun moitteettoman toiminnan vain, kun käytetään alkuperäisiä tarvikkeit
- Käytä vain tarvikkeita, joiden sallittu kierros-luku on vähintään yhtä suuri kuin laitteen suurin tyhjäkäyntikierrosluku
- Tätä työkalua saavat käyttää vain 16 vuotta täyttäneet henkilöt
- **Käytä sopivia etsintälaitteita piilossa olevien syöttöjohtojen paikallistamiseksi, tai käänny paikallisen jakelu-yhtiön puoleen** (kosketus sähköjohtoon saattaa johtaa tulipaloon ja sähköiskuun; kaasuputken vahingoittaminen saattaa johtaa räjähdykseen; vesijohtoon tunkeutuminen aiheuttaa aineellista vahinkoa tai saattaa johtaa sähköiskuun)

- **Tartu sähkötyökaluun ainoastaan eristetyistä pinnoista, tehdesäsi työtä, jossa saattaisit osua piilossa olevaan sähköjohtoon tai sahan omaan sähköjohtoon** (kosketus jännitteeseen johtoon saattaa myös sähkötyökalun metalliosat jännitteiseksi ja johtaa sähköiskuun)
- **Älä koskaan työstä asbestipitoista ainetta** (asbestia pidetään karsinogeenisena)
- **Noudata suojatoimenpiteitä, jos työssä saattaa syntyä terveydelle vaarallista, palavaa tai räjähdysaltista pölyä** (monia pölyjä pidetään karsinogeenisina); käytä pölynpuojanaamaria ja pölyn-/lastunimua, jos se on liitettävissä
- Jos sähköjohto vahingoittuu tai katkeaa työn aikana ei johtoa saa koskettaa, vaan pistotulppa on välittömästi irrotettava pistorasiasta
- Älä käytä työkalua, kun johto on vioittunut; ja toimita valtuutettuun huoltoliikkeeseen
- Tarkista aina, että syöttöjännite on sama kuin työkalun nimilaatan osoittama jännite (työkalut, joiden jännitetaso on 230V tai 240V, voidaan kytkeä myös 220V tason jännitteeseen)
- Jos poran terä juuttuu odottamatta (aiheuttaen äkillisen, vaarallisen reaktion), katkaise virta työkalusta välittömästi
- Tarkkaile valppaasti juuttumisen aiheuttamia seurauksia (varsinkin metalleja porattaessa); **käytä aina apukahvaa H ②** ja asetaudu tukevaan asentoon
- **Irrota aina pistotulppa pistorasiasta, ennen kuin suoritat laitteelle mitään säätöjä tai vaihdat tarviketta**

## KÄYTTÖ

- Käynnistyksen/pysäytys ④
- Kytkimen lukitseminen jatkuvaan käyttöä varten ⑤
- Nopeudensäätö tasaista käynnistystä varten ⑥
- Maksiminopeuden säätö ⑦  
Maksiminopeus voidaan säätää portaattomasti minimistä maksimiin säätöpyörästä B ②
- Pyörintäsuunnan vaihto ⑧  
- jos säätöä ei ole oikein asetettu vasen/oikea asentoon, kytkintä A ei voi käynnistää
- **! muuta pyörintäsuuntaa vain kun työkalu on täysin pysäytetty**
- Käyttötilan valinta ⑨  
- vapauta kytkin E painamalla painiketta F  
- kierrä kytkin E haluamaasi käyttötilaan niin, että se napsahtaa paikalleen
- **! aloita työskentely vasta, kun kytkin E on lukittu**  
1 = normaali poraus/ruuvinkierteitys  
2 = iskuporaus  
3 = piikkaus pyörivällä taltalla  
4 = piikkaus kiinteällä taltalla
- **! valitse käyttötila vain virran ollessa katkaistuna työkalusta**  
- porattaessa puuta, metallia tai muovia tai ruuvattaessa on käytettävä siihen kuuluvaa adapteria (kts. Vinkkejä)

- iskumeکانismi aktivoituu kevyellä painamisella kun poranterä on kiinni työstökohteessa
- paras poraustulos saavutetaan kevyellä painamisella, joka riittää pitämään automaattisen toiminnon käynnissä; porausteho ei lisäännä painamalla lisää konetta: SKIL PUOLESTASI TEKEE TYÖN
- Piikkaus pyörivällä taltalla ⑩
  - ! **sammuta kone ja irrota pistoke pistorasiasta**
  - valitse "pyörivä" piikkaustila
- Piikkaus kiinteällä taltalla ⑪
  - ! **sammuta kone ja irrota pistoke pistorasiasta**
  - valitse "pyörivä" piikkaustila
  - aseta taltta haluamaasi asentoon
  - valitse "kiinteä" piikkaustila
- Kärkien vaihto ⑫
  - tarvikkeet puhdistetaan ja rasvataan kevyesti ennen käyttöä
  - vedä lukitusholkki G taakse ja aseta tarvikkeet SDS+ istukkaan samalla kun kierrät ja työntät sitä, kunnes se lukkiutuu; tarvikkeet lukkiutuvat kiinni itsestään
  - lukkiutumisen tarkistetaan vetämällä tarvikkeita ulospäin
  - irrota tarvikkeet vetämällä lukitusholkkia G taaksepäin
  - ! **SDS+ tarvikkeiden on oltava vapaasti liukuteltavissa, siten syntyy tyhjäkäynnillä pyörintäheittoa, joka porattaessa keskiöityy; tällä ei ole mitään vaikutusta porausreian tarkkuuteen**
  - ! **älä käytä kärkiä/taltoja, joiden varsi on vahingoittunut**
- Turvakytkin
  - Jos tarvike jumiuutu työstön aikana, kytkeyty akseli irti käyttövoimasta (aiheuttanen kalisevan äänen)
  - sammuta kone heti
  - poista juuttunut tarvike
  - käynnistä uudelleen kone
- Porausvyöyden säätö ⑬
- Koneen pitäminen ja ohjaaminen ⑭
  - **käytä aina apukahvaa H ②** (voidaan säätää kuvan osoittamalla tavalla)
  - älä peitä ilmanvaihto-aukkoja
  - älä paina työkalua liian voimakkaasti; vaan anna työkalun tehdä työ puolestasi

## VINKKEJÄ

- Käytä oikeantyyppisiä kärkiä ⑩
- ! **käytä vain teräviä kärkiä/taltoja**
- Siihen kuuluvalla adapterilla (SKIL tarvike 2610395660) voidaan porata puuta, metallia ja muovia tai ruuvata ⑩
  - adapteri puhdistetaan ja rasvataan kevyesti ennen käyttöä
  - vedä lukitusholkki G ② taakse ja aseta adapteri SDS+ istukkaan samalla kun kierrät ja työntät sitä, kunnes se lukkiutuu; adapteri lukkiutuu kiinni itsestään
  - lukkiutumisen tarkistetaan vetämällä adapteria ulospäin
  - aseta kytkin E ② poraustoimintoasentoon (**saadaan käyttää vain koneen ollessa pysähdyksissä**)

- Porattaessa rautametalleja
  - poraa ensin pienempi esireikä ja jatka sitten isommalla terällä
  - voitele poranterä ajoittain öljyllä
- Kun ruuvi väännetään lähelle puun reunaa, pitää porata esireikä ruuvia varten, jotta estetään puun halkeaminen
- Repimätön poraus puuhun ⑰
- Pölytön poraus seinäin ⑱
- Pölytön poraus kattoihin ⑲
- Poraus laattoihin luiskahtamatta ⑳
- Lisävinkkejä on tarjolla web-osoitteessa [www.skileurope.com](http://www.skileurope.com)

## TAKUU / YMPÄRISTÖNSUOJELU

- Pidä työkalu ja johto puhtaina (varmista erityisesti ilmanvaihtoreiät puhtaus)
  - ! **irrota liitosjohto aina puhdistuksen ajaksi pistorasiasta**
- Tällä SKIL-tuotteella on takuu lakisäästeisten/kansallisten asetusten mukaisesti; takuu ei kata normaalin kulumisen eikä ylikuormituksen tai asiattoman käsittelyn aiheuttamia vahinkoja
- Jos ilmenee vika, toimita työkalu sitä osiin **purkamatta** lähimpään SKIL-huoltoon (osoitteet ja työkalun huoltokaava ovat tarjolla web-osoitteessa [www.skileurope.com](http://www.skileurope.com)) ostotodiste mukaan liitettynä
- **Älä hävitä sähkötyökalua, tarvikkeita tai pakkausta tavallisen kotitalousjätteen mukana** (koskee vain EU-maita)
  - vanhoja sähkö- ja elektroniikkalaitteita koskevan EU-direktiivin 2002/96/ETY ja sen maakohtaisten sovellusten mukaisesti käytetyt sähkötyökalut on toimitettava ongelmajätteen keräyspisteeseen ja ohjattava ympäristöystävälliseen kierrätykseen
  - symboli ⑳ muistuttaa tästä, kun käytöstä poistotulee ajankohtaiseksi

E

## Martillo

1765

## INTRODUCCIÓN

- La herramienta ha sido diseñada para taladrar con percusión en hormigón, ladrillo y piedra, así como para trabajos ligeros de cincelado; para taladrar sin percusión en madera, metal y materiales sintéticos así como para atornillar deben utilizarse accesorios específicos
- El sistema del martillo en esta herramienta supera los trabajos realizados en hormigón más que cualquier taladro percutor tradicional
- Esta herramienta ha sido especialmente diseñada para ser usada en combinación con todos los accesorios estándar SDS+
- Lea y conserve este manual de instrucciones ③

## CARACTERÍSTICAS TÉCNICAS ①

## ELEMENTOS DE LA HERRAMIENTA ②

- A Interruptor para encendido/apagado y control de velocidad
- B Rueda para regular la velocidad máxima
- C Botón para bloquear el interruptor
- D Palanca para invertir la dirección de giro
- E Interruptor para seleccionar el modo de operación
- F Botón de desbloqueo
- G Casquillo de bloqueo
- H Empuñadura auxiliar

## SEGURIDAD

### INSTRUCCIONES GENERALES DE SEGURIDAD

**⚠ ¡ATENCIÓN! Lea íntegramente estas advertencias de peligro e instrucciones.** En caso de no atenerse a las advertencias de peligro e instrucciones siguientes, ello puede ocasionar una descarga eléctrica, un incendio y/o lesión grave. **Guardar todas las advertencias de peligro e instrucciones para futuras consultas.** El término “herramienta eléctrica” empleado en las siguientes advertencias de peligro se refiere a herramientas eléctricas de conexión a la red (con cable de red).

#### 1) SEGURIDAD DEL PUESTO DE TRABAJO

- a) **Mantenga limpia y bien iluminada su área de trabajo.** El desorden o una iluminación deficiente en las áreas de trabajo pueden provocar accidentes.
- b) **No utilice la herramienta eléctrica en un entorno con peligro de explosión, en el que se encuentren combustibles líquidos, gases o material en polvo.** Las herramientas eléctricas producen chispas que pueden llegar a inflamar los materiales en polvo o vapores.
- c) **Mantenga alejados a los niños y otras personas de su área de trabajo al emplear la herramienta eléctrica.** Una distracción le puede hacer perder el control sobre la herramienta.

#### 2) SEGURIDAD ELÉCTRICA

- a) **El enchufe de la herramienta debe corresponder a la toma de corriente utilizada. No es admisible modificar el enchufe en forma alguna. No emplear adaptadores en herramientas dotadas con una toma de tierra.** Los enchufes sin modificar adecuados a las respectivas tomas de corriente reducen el riesgo de una descarga eléctrica.
- b) **Evite que su cuerpo toque partes conectadas a tierra como tuberías, radiadores, cocinas y refrigeradores.** El riesgo a quedar expuesto a una descarga eléctrica es mayor si su cuerpo tiene contacto con tomas de tierra.
- c) **No exponga las herramientas eléctricas a la lluvia o a condiciones de humedad.** Existe el peligro de recibir una descarga eléctrica si penetran líquidos en la herramienta.

- d) **No utilice el cable de red para transportar o colgar la herramienta, ni tire de él para sacar el enchufe de la toma de corriente. Mantenga el cable de red alejado del calor, aceite, esquinas cortantes o piezas móviles.** Los cables de red dañados o enredados pueden provocar una descarga eléctrica.
- e) **Al trabajar con la herramienta eléctrica en la intemperie utilice solamente cables de prolongación homologados para su uso en exteriores.** La utilización de un cable de prolongación adecuado para su uso en exteriores reduce el riesgo de una descarga eléctrica.
- f) **Si el funcionamiento de una herramienta eléctrica en un lugar húmedo fuese inevitable, utilice un cortacircuito de fuga a tierra.** El uso de un cortacircuito de fuga a tierra reduce el riesgo de descarga eléctrica.

#### 3) SEGURIDAD DE PERSONAS

- a) **Esté atento y emplee la herramienta con prudencia. No utilice la herramienta eléctrica si estuviese cansado, ni bajo los efectos de alcohol, drogas o medicamentos.** El no estar atento durante el uso de una herramienta eléctrica puede provocar serias lesiones.
- b) **Utilice un equipo de protección personal y en todo caso unas gafas de protección.** El riesgo a lesionarse se reduce considerablemente si, dependiendo del tipo y la aplicación de la herramienta eléctrica empleada, se utiliza un equipo de protección adecuado como una mascarilla antipolvo, zapatos de seguridad con suela antideslizante, casco, o protectores auditivos.
- c) **Evite una puesta en marcha fortuita. Asegurarse de que la herramienta eléctrica esté desconectada antes de conectarla a la toma de corriente, al recogerla, y al transportarla.** Si transporta la herramienta eléctrica sujetándola por el interruptor de conexión/desconexión, o si introduce el enchufe en la toma de corriente con la herramienta eléctrica conectada, ello puede dar lugar a un accidente.
- d) **Retire las herramientas de ajuste o llaves fijas antes de conectar la herramienta eléctrica.** Una herramienta o llave colocada en una pieza rotativa puede producir lesiones graves al accionar la herramienta eléctrica.
- e) **Sea precavido. Trabaje sobre una base firme y mantenga el equilibrio en todo momento.** Ello le permitirá controlar mejor la herramienta eléctrica en caso de presentarse una situación inesperada.
- f) **Lleve puesta una vestimenta de trabajo adecuada. No utilice vestimenta amplia ni joyas. Mantenga su pelo, vestimenta y guantes alejados de las piezas móviles.** La vestimenta suelta, las joyas y el pelo largo se pueden enganchar con las piezas en movimiento.
- g) **Siempre que sea posible utilice equipos de aspiración o captación de polvo, asegúrese que éstos estén montados y que sean utilizados correctamente.** El empleo de estos equipos reduce los riesgos derivados del polvo.



#### 4) CUIDADO Y UTILIZACIÓN DE HERRAMIENTAS ELÉCTRICAS

- a) **No sobrecargue la herramienta. Use la herramienta prevista para el trabajo a realizar.** Con la herramienta adecuada podrá trabajar mejor y con mayor seguridad dentro del margen de potencia indicado.
- b) **No utilice herramientas con un interruptor defectuoso.** Las herramientas que no se puedan conectar o desconectar son peligrosas y deben repararse.
- c) **Saque el enchufe de la red antes de realizar un ajuste en la herramienta, cambiar de accesorio o al guardar la herramienta.** Esta medida preventiva reduce el riesgo de conectar accidentalmente la herramienta.
- d) **Guarde las herramientas fuera del alcance de los niños y de las personas que no estén familiarizadas con su uso.** Las herramientas utilizadas por personas inexpertas son peligrosas.
- e) **Cuide sus herramientas con esmero. Controle si funcionan correctamente, sin atascarse, las partes móviles de la herramienta, y si existen partes rotas o deterioradas que pudieran afectar al funcionamiento de la herramienta. Si la herramienta eléctrica estuviese defectuosa haga repararla antes de volver a utilizarla.** Muchos de los accidentes se deben a herramientas con un mantenimiento deficiente.
- f) **Mantenga los útiles limpios y afilados.** Los útiles mantenidos correctamente se dejan guiar y controlar mejor.
- g) **Utilice herramientas eléctricas, accesorios, útiles, etc. de acuerdo con estas instrucciones, teniendo en cuenta las condiciones de trabajo y la tarea a realizar.** El uso de herramientas eléctricas para trabajos diferentes de aquellos para los que han sido concebidas puede resultar peligroso.

#### 5) SERVICIO

- a) **Únicamente haga reparar su herramienta eléctrica por un profesional, empleando exclusivamente piezas de repuesto originales.** Solamente así se mantiene la seguridad de la herramienta eléctrica.

#### INSTRUCCIONES DE SEGURIDAD PARA MARTILLOS

- **Use protectores auditivos con taladros percutores** (la exposición al ruido puede causar lesiones auditivas)
- **Use los puños auxiliares suministrados con la herramienta** (la pérdida del control puede causar daños)
- Evite los daños que puedan causar los tornillos, clavos y otros objetos sobre la pieza de trabajo; retírelos antes de empezar a trabajar
- Mantenga siempre el cable lejos de las partes móviles de la herramienta
- **Asegure la pieza de trabajo** (una pieza de trabajo fijada con unos dispositivos de sujeción o en un tornillo de banco, se mantiene sujeta de forma mucho más segura que con la mano)

- Ponga atención al guardar su herramienta de que el motor está apagado y las partes móviles están parados
- Utilice cables de extensión seguros y completamente desenrollados con una capacidad de 16 amperios
- En el caso de que se produjera un mal funcionamiento eléctrico o mecánico, apague inmediatamente la herramienta y desconecte el enchufe
- SKIL únicamente puede garantizar un funcionamiento correcto de la herramienta al emplear accesorios originales
- Utilice únicamente accesorios cuyo límite de revoluciones permitido sea como mínimo igual a las revoluciones en vacío máximas de la herramienta
- Esta herramienta no debe utilizarse por personas menores de 16 años
- **Utilice aparatos de detección adecuados para localizar posibles conductores o tuberías ocultas, o consulte a su compañía abastecedora** (el contacto con conductores eléctricos puede provocar una descarga eléctrica e incluso un incendio; al dañar una tubería de gas puede producirse una explosión; la perforación de una tubería de agua pueden causar daños materiales o una descarga eléctrica)
- **Sujete la herramienta únicamente por las empuñaduras aisladas al realizar trabajos en los que el accesorio pueda tocar conductores eléctricos ocultos o el propio cable de la herramienta** (el contacto con conductores portadores de tensión puede hacer que las partes metálicas de la herramienta le provoquen una descarga eléctrica)
- **No trabaje materiales que contengan amianto** (el amianto es cancerígeno)
- **Tome medidas de protección adecuadas si al trabajar pudiera generarse polvo combustible, explosivo o nocivo para la salud** (ciertos tipos de polvo son cancerígenos); colóquese una mascarilla antipolvo y, si su herramienta viene equipada con la conexión correspondiente, utilice además un equipo de aspiración adecuado
- Si llega a dañarse o cortarse el cable eléctrico durante el trabajo, no tocar el cable, sino extraer inmediatamente el enchufe de la red
- No utilizar la herramienta cuando el cable esté dañado; hágalo cambiar por una persona calificada
- Compruebe siempre que la tensión de alimentación es la misma que la indicada en la placa de características de la herramienta (las herramientas de 230V o 240V pueden conectarse también a 220V)
- Si la broca se bloquea inesperadamente (causando una brusca y peligrosa reacción), desconectar la herramienta inmediatamente
- Tenga cuidado con las fuerzas resultantes del bloqueo (sobre todo al taladrar metales); **utilizar siempre el puño auxiliar H ②** y adopte una posición estable
- **Desenchufar siempre la herramienta antes de realizar cualquier ajuste o cambiar algún accesorio**

## USO

- Encendido/apagado ④
- Bloqueo del interruptor para conexión permanente ⑤
- Control de velocidad para un arranque suave ⑥
- Control de la velocidad máxima ⑦

Con la rueda B ② puede regularse, sin escalonamientos, la velocidad máxima desde la posición mínima hasta la máxima

- Inversión de la dirección de giro ⑧
  - si el inversor de giro no está adecuadamente colocado en la posición izquierda/derecha, el interruptor A no podrá ser activado

**! sólo invierta la dirección de giro cuando la herramienta esté completamente parada**

- Selección del modo de operación ⑨
  - pulse el botón F para desbloquear el conmutador E
  - gire el conmutador E al modo de operación deseado hasta que quede bloqueado

**! comience el trabajo sólo cuando el conmutador E esté bloqueado**

1 = taladrado sin percusión/atornillado

2 = taladrado con percusión

3 = cincelado con cincel giratorio

4 = cincelado con cincel fijo

**! seleccione sólo el modo de operación cuando la herramienta se encuentre apagada**

- para taladrar sin percusión en madera, metal y material sintético así como para atornillar, debe utilizarse el adaptador correspondiente (véase: Consejos de aplicación)
- el mecanismo de percusión del martillo se pone en marcha si usted empuja suavemente la herramienta cuando está taladrando
- se pueden alcanzar los mejores resultados al taladrar en hormigón empujando suavemente la herramienta lo suficiente para conectar el embrague automático; el rendimiento al taladrar no se aumentará empujando más fuerte su herramienta: SKIL DEJA QUE LA HERRAMIENTA TRABAJE POR USTED

- Cincelado con cincel giratorio ⑩

**! pare la herramienta y desenchúfela**

- seleccione el modo de cincelado "giratorio"

- Cincelado con cincel fijo ⑪

**! pare la herramienta y desenchúfela**

- seleccione el modo de cincelado "giratorio"
- coloque el cincel en la posición deseada
- seleccione el modo de cincelado "fijo"

- Cambio de brocas ⑫

- limpiar y engrasar levemente el accesorio antes de su montaje
- tirar hacia atrás el casquillo de bloqueo G e introducir el accesorio en el portabrocas SDS+ girándolo y empujándolo hasta que encastre; el accesorio se bloquea automáticamente
- tirar del accesorio para cercionarse de que esté bloqueado
- retirar el accesorio tirando hacia atrás el casquillo de bloqueo G

**! el accesorio SDS+ deberá poder moverse libremente, lo que al funcionar en vacío resulta en una desviación de la marcha circular; al taladrar el accesorio se centra automáticamente sin afectar la exactitud del taladro**

**! no utilice brocas/cinceles con un mago deteriorado**


- Embrague de seguridad  
En caso de bloqueo del accesorio, se interrumpe el accionamiento del eje (causando un ruido tableteando)
  - parar inmediatamente la herramienta
  - retirar el accesorio bloqueado
  - poner en marcha la herramienta una vez más
- Regulación de la profundidad de perforación ⑬
- Sujección y manejo de la herramienta ⑭
  - **utilizar siempre el puño auxiliar H ②** (puede ser ajustado de la forma ilustrada)
  - mantenga libres las ranuras de ventilación
  - no ejerza demasiada presión en la herramienta; deje que la herramienta haga su trabajo

## CONSEJOS DE APLICACIÓN

- Utilice las brocas adecuadas ⑮
  - ! utilice únicamente brocas/cinceles afilados**
- Para taladrar sin percusión en madera, metal y material sintético así como para atornillar utilizar el adaptador correspondiente (SKIL accesorio 2610395660) ⑯
  - limpiar y engrasar levemente el adaptador antes de su montaje
  - tirar hacia atrás el casquillo de bloqueo G ② e introducir el adaptador en el portabrocas SDS+ girándolo y empujándolo hasta que encastre; el adaptador se bloquea automáticamente
  - tirar del adaptador para cercionarse de que esté bloqueado
  - coloque el interruptor E ② en la función de taladro normal (**accionar sólo cuando la herramienta se encuentra apagada**)
- Al taladrar metales ferrosos
  - pretaladre antes un agujero pequeño
  - lubrique de cuando en cuando la broca con aceite
- Taladrar de antemano un agujero para poder atornillar en/cerca o al lado de la madera para prevenir la rotura de ésta
- Taladrar sin virutas en madera ⑰
- Taladrado sin polvo en paredes ⑱
- Taladrado sin polvo en techos ⑲
- Taladrado en azulejos sin resbalar ⑳
- Para más consejos vea [www.skileurope.com](http://www.skileurope.com)

## GARANTÍA / AMBIENTE

- Mantenga limpio el cable eléctrico y la herramienta (sobre todo las ranuras de ventilación)
  - ! desenchufar la herramienta antes de limpiar**


- Para las herramientas SKIL brindamos una garantía de acuerdo con las prescripciones legales específicas de los diferentes países; los daños ocasionados por un desgaste normal, sobrecarga o un manejo inadecuado serán excluidos de garantía
- En caso de reclamación, envíe la herramienta **sin desmontar** junto con la factura al suministrador de la misma o al servicio técnico de SKL más próximo (los nombres así como el despiece de piezas de la herramienta figuran en [www.skileurope.com](http://www.skileurope.com))
- **No deseches las herramientas eléctricas, los accesorios y embalajes junto con los residuos domésticos** (sólo para países de la Unión Europea)
  - de conformidad con la Directiva Europea 2002/96/CE sobre residuos de aparatos eléctricos y electrónicos y su aplicación de acuerdo con la legislación nacional, las herramientas eléctricas cuya vida útil haya llegado a su fin se deberán recoger por separado y trasladar a una planta de reciclaje que cumpla con las exigencias ecológicas
  - símbolo  llamará su atención en caso de necesidad de tirarlas

P

Martelo

1765

## INTRODUÇÃO

- Esta ferramenta foi concebida para furar com percussão em betão, tijolo e pedra assim como para trabalhos ligeiros de cinzelamento; para furar em madeira, metal e plástico, assim como para aparafusar, devem utilizar-se acessórios específicos
- O sistema de martelo nesta ferramenta ultrapassa qualquer berbequim de percussão tradicional quando perfura em betão
- Esta ferramenta está também desenhada para uso em conjunto com todos os acessórios SDS+ estandartes
- Leia e guarde este manual de instruções 


## ESPECIFICAÇÕES TÉCNICAS

### ELEMENTOS DA FERRAMENTA

- A Interruptor para ligar/desligar e regulação da velocidade
- B Roda para controle da velocidade máxima
- C Botão de fixação do interruptor
- D Patilha para inverter o sentido da rotação
- E Comutador para seleccionar o modo de funcionamento
- F Botão de desbloqueio
- G Casquilho de bloqueio
- H Punho auxiliar

## SEGURANÇA

### INSTRUÇÕES GERAIS DE SEGURANÇA

 **ATENÇÃO! Devem ser lidas todas as indicações de advertência e todas as instruções.** O desrespeito das advertências e instruções apresentadas abaixo pode causar choque eléctrico, incêndio e/ou graves lesões. **Guarde bem todas as advertências e instruções para futura referência.** O termo “ferramenta eléctrica” utilizado a seguir nas indicações de advertência, refere-se a ferramentas eléctricas operadas com corrente de rede (com cabo de rede).

#### 1) SEGURANÇA DA ÁREA DE TRABALHO

- a) **Mantenha a sua área de trabalho limpa e arrumada.** Desordem ou áreas de trabalho com fraca iluminação podem causar acidentes.
- b) **Não trabalhar com a ferramenta eléctrica em áreas com risco de explosão, nas quais se encontrem líquidos, gases ou pós inflamáveis.** Ferramentas eléctricas produzem faíscas que podem provocar a ignição de pó e vapores.
- c) **Mantenha crianças e outras pessoas afastadas da ferramenta eléctrica durante o trabalho com a ferramenta.** Distrações podem causar a falta de controle sobre o aparelho.

#### 2) SEGURANÇA ELÉCTRICA

- a) **A ficha da ferramentas eléctricas devem caber na tomada. A ficha não deve ser modificada de modo algum. Não utilize quaisquer fichas de adaptação junto com ferramentas eléctricas ligadas à terra.** Fichas sem modificações e tomadas adequadas reduzem o risco de choques eléctricos.
- b) **Evite que o corpo entre em contacto com superfícies ligadas à terra, como por exemplo tubos, radiadores, fogões e geladeiras.** Há um risco elevado de choques eléctricos, caso o corpo for ligado à terra.
- c) **A ferramenta eléctrica não deve ser exposta à chuva nem humidade.** A penetração de água na ferramenta eléctrica aumenta o risco de choques eléctricos.
- d) **O cabo do aparelho não deve ser utilizado para o transporte, para pendurar o aparelho, nem para puxar a ficha da tomada. Mantenha o cabo afastado de calor, óleo, cantos afiados ou partes em movimento do aparelho.** Cabos danificados ou torcidos aumentam o risco de choques eléctricos.
- e) **Ao trabalhar com a ferramenta eléctrica ao ar livre, use um cabo de extensão apropriado para áreas externas.** O uso de um cabo apropriado para áreas externas reduz o risco de choques eléctricos.
- f) **Se não for possível evitar o funcionamento da ferramenta eléctrica em áreas húmidas, deverá ser utilizado um disjuntor de corrente de avaria.** A utilização de um disjuntor de corrente de avaria reduz o risco de um choque eléctrico.

### 3) SEGURANÇA DE PESSOAS

- a) **Esteja alerta, observe o que está a fazer, e tenha prudência ao trabalhar com a a ferramenta eléctrica. Não use a ferramenta eléctrica se estiver fatigado ou sob a influência de drogas, álcool ou medicamentos.** Um momento de falta de atenção durante a operação da ferramenta eléctrica pode causar graves lesões.
- b) **Utilizar equipamento de protecção pessoal e sempre óculos de protecção.** A utilização de equipamento de protecção pessoal, como máscara de protecção contra pó, sapatos de segurança antiderrapantes, capacete de segurança ou protecção auricular, de acordo com o tipo e aplicação da ferramenta eléctrica, reduz o risco de lesões.
- c) **Evitar uma colocação em funcionamento involuntária. Assegure se de que a ferramenta eléctrica esteja desligada, antes de conectá-la à alimentação de rede, antes de levantá-la ou de transportá-la.** Se tiver o dedo no interruptor ao transportar a ferramenta eléctrica ou se a ferramenta for conectada à alimentação de rede enquanto estiver ligada, poderão ocorrer acidentes.
- d) **Remover chaves de ajustes ou chaves de fenda, antes de ligar a ferramenta eléctrica.** Uma chave de fenda ou chave de ajuste que se encontre numa parte móvel do aparelho, pode levar a lesões.
- e) **Não se sobrestime. Mantenha uma posição firme e mantenha sempre o equilíbrio.** Desta forma poderá ser mais fácil controlar o aparelho em situações inesperadas.
- f) **Use roupa apropriada. Não use roupa larga ou jóias. Mantenha o cabelo, roupa e luvas afastadas de partes em movimento.** Roupas largas, jóias ou cabelos longos podem ser agarradas por partes em movimento.
- g) **Se for prevista a montagem de dispositivos de aspiração de pó e de dispositivos de recolha, assegure-se de que estão conectados e que sejam utilizados de forma correcta.** A utilização de uma aspiração de pó pode reduzir o perigo devido ao pó.

### 4) USO E TRATAMENTO DE FERRAMENTAS ELÉCTRICAS

- a) **Não sobrecarregue a ferramenta eléctrica. Use para o seu trabalho a ferramenta eléctrica correcta.** A ferramenta correcta realizará o trabalho de forma melhor e mais segura dentro da faixa de potência indicada.
- b) **Não utilize a ferramenta eléctrica se o interruptor não puder ser ligado nem desligado.** Qualquer ferramenta eléctrica que não possa ser controlada através do interruptor de ligar-desligar, é perigosa e deve ser reparada.
- c) **Puxar a ficha da tomada antes de efectuar ajustes no aparelho, substituir acessórios ou armazenar a ferramenta eléctrica.** Esta medida de segurança evita que a ferramenta eléctrica seja ligada acidentalmente.

- d) **Guarde ferramentas eléctricas que não estiverem sendo utilizadas, for a do alcance de crianças. Não permita que o aparelho seja utilizado por pessoas não familiarizadas com o mesmo ou que não tenham lido estas instruções.** Ferramentas eléctricas são perigosas nas mãos de pessoas sem formação.
- e) **Trate a sua ferramenta eléctrica com cuidado. Verifique se as partes móveis do aparelho funcionam perfeitamente e não emperram, se há peças quebradas ou danificadas, que possam influenciar o funcionamento do aparelho. Peças danificadas devem ser reparadas antes da utilização do aparelho.** Muitos acidentes tem como causa uma manutenção insuficiente das ferramentas eléctricas.
- f) **Mantenha as ferramentas de corte sempre afiadas e limpas.** Ferramentas de cortes devidamente tratadas, com cantos afiados travam com menos frequência e podem ser controladas com maior facilidade.
- g) **Use a ferramenta eléctrica, os acessórios os bits da ferramenta etc., de acordo com estas instruções. Considere também as condições de trabalho e o trabalho a ser efectuado.** A utilização da ferramenta eléctrica para outros fins que os previstos, pode resultar em situações perigosas.

### 5) SERVIÇO

- a) **A sua ferramenta eléctrica só deve ser reparada por pessoal qualificado e só devem ser colocadas peças sobressalentes originais.** Desta forma é assegurada a segurança da ferramenta eléctrica.

### INSTRUÇÕES DE SEGURANÇA PARA MARTELOS

- **Use protectores auditivos com berbequims de percussão** (a exposição ao ruído pode causar danos auditivos)
- **Use os punhos laterais fornecidos com a ferramenta** (a perda do controle, pode causar danos pessoais)
- Evite danificar a ferramenta em superfícies com pregos ou parafusos; remova-os antes de começar a trabalhar
- Mantenha sempre o fio afastado das peças rotativas da ferramenta
- **Fixe a peça de trabalho** (uma peça de trabalho fixa com dispositivos de fixação ou num torno fica melhor fixa do que manualmente)
- Quando guardar a ferramenta, deverá certificar-se que o motor esta devidamente parado assim como todas as peças rotativas
- Utilize extensões completamente desenroladas e seguras, com uma capacidade de 16 Amp
- Em caso de anomalias eléctricas ou mecânicas, desligue imediatamente a ferramenta e tire a ficha da tomada
- A SKIL só pode garantir um funcionamento perfeito da ferramenta, quando utilizada com os acessórios originais
- Utilize apenas acessórios com um número de rotação admissível no mínimo tão alto como o mais alto número de rotação em vazio da ferramenta

- Esta ferramenta não deve ser utilizada por pessoas menores de 16 anos
- **Utilizar detectores apropriados para detectar tubos e cabos de alimentação escondidos, ou consulte a firma de alimentação local** (o contacto com um cabo eléctrico pode levar a incêndio e choque eléctrico; a danificação de um cano de gás pode levar à explosão; a penetração de uma tubulação de água provoca danos materiais ou pode provocar um choque eléctrico)
- **Ao executar trabalhos durante os quais podem ser atingidos cabos eléctricos ou o próprio cabo de rede deverá sempre segurar a ferramenta eléctrica pelas superfícies de punho isoladas** (o contacto com um cabo sob tensão também coloca peças de metal da ferramenta eléctrica sob tensão e leva a um choque eléctrico)
- **Não processar material que contenha asbesto** (asbesto é considerado como sendo cancerígeno)
- **Tomar medidas de protecção, se durante o trabalho houver a possibilidade de serem produzidos pós nocivos à saúde, inflamáveis ou explosivos** (alguns pós são considerados como sendo cancerígenos); usar uma máscara de protecção contra pó e, se for possível conectar, uma aspiração de pó/de aparas
- Caso o fio for danificado ou cortado durante o trabalho, não toque no fio, mas tire imediatamente a ficha da tomada
- Não utilizar ferramenta caso o fio esteja danificado; mandando-o substituir por pessoal qualificado
- Certifique-se sempre de que a tensão de alimentação está de acordo com a tensão indicada na placa de identificação da ferramenta (ferramentas com a indicação de 230V ou 240V também podem ser ligadas a uma fonte de 220V)
- Se a broca bloquear repentinamente (provocando uma reacção brusca e perigosa), desligue imediatamente a ferramenta
- Tenha especial atenção com eventuais contra-golpes que possam ocorrer se o acessório bloquear (especialmente quando perfurar metais); **utilize sempre o punho lateral H** ② e mantenha uma posição firme
- **Desligue sempre a ficha da tomada antes de proceder a qualquer ajustamento ou troca de acessório**

## MANUSEAMENTO

- Ligar/desligar ④
- Fixação do interruptor para ligação permanente ⑤
- Regulação da velocidade para arranque suave ⑥
- Controle da velocidade máxima ⑦  
Com a roda B ② pode regular-se gradualmente a velocidade máxima do mínimo até ao máximo
- Inversão do sentido da rotação ⑧  
- quando não forem correctamente reguladas as posições esquerda/direita, o interruptor A não será accionado  
**! inverta o comutador do sentido de rotação apenas quando a ferramenta desligada**

- Selecção do modo de funcionamento ⑨
  - prima o botão F para desbloquear o comutador E
  - rode o comutador E para o modo de funcionamento pretendido até ouvir um estalido
- ! **só comece a trabalhar quando o comutador E estiver bloqueado**
  - 1 = perfuração normal/aparafusar
  - 2 = perfuração com martelo
  - 3 = cinzelamento com cinzel rotativo
  - 4 = cinzelamento com cinzel fixo
- ! **selecione o modo de funcionamento apenas com a ferramenta desligada**
  - para furar em madeira, metal e plástico, assim como para aparafusar deve usar-se o correspondente adaptador (veja: Conselhos de aplicação)
  - o sistema de martelo activa-se por uma pequena pressão sobre a ferramenta, quando a broca estiver em contacto com a peça a trabalhar
  - serão conseguidos melhores resultados fazendo uma pequena pressão sobre a ferramenta, mantendo a embraiagem automática engatada; a capacidade de perfuração não irá melhorar se aplicar uma maior pressão sobre a ferramenta: SKIL FAZ COM QUE A FERRAMENTA TRABALHE PARA SI
- Cinzelamento com cinzel rotativo ⑩
  - ! **desligue a ferramenta e retire a ficha da tomada**
  - selecione o modo de cinzelamento "rotativo"
- Cinzelamento com cinzel fixo ⑪
  - ! **desligue a ferramenta e retire a ficha da tomada**
  - selecione o modo de cinzelamento "rotativo"
  - coloque o cinzel na posição desejada
  - selecione o modo de cinzelamento "fixo"
- Substituição de pontas ⑫
  - antes de colocar o acessório é necessário limpá-lo e lubrificá-lo levemente
  - puxar para trás o casquilho de bloqueio G e insira o acessório na bucha SDS+ enquanto o roda e empurra até engatar; o acessório fica automaticamente travado
  - puxar o acessório para verificar se está bem travado
  - retirar o acessório puxando para trás o casquilho de bloqueio G
- ! **o acessório SDS+ tem de ser livremente móvel por que assim surge durante a rotação em vazio um desvio na rotação; porém o acessório automaticamente centra durante a perfuração sem haver quaisquer consequências sobre a precisão de perfuração**
- ! **não utilize pontas/cinzéis com encabadours danificados**
- Embraiagem de segurança  
Em caso de bloqueio do acessório, o accionamento do veio será interrompido (provocando um som rouco)
  - desligar imediatamente a ferramenta
  - retirar o acessório bloqueado
  - ligar a ferramenta de novo
- Regulação da profundidade de perfuração ⑬

- Segurar e guiar a ferramenta ⑭
  - **utilize sempre o punho lateral H ②** (pode ser ajustado conforme ilustrado)
  - mantenha as aberturas de ventilação destapadas
  - não exerça demasiada pressão na ferramenta; deixe a ferramenta trabalhar espontaneamente

## CONSELHOS DE APLICAÇÃO

- Utilize as pontas apropriadas ⑮
  - ! **utilize apenas pontas/cinzéis com pontas afiadas**
- Para furar em madeira, metal e plástico, assim como para aparafusar utilizar o correspondente adaptador (SKIL acessório 2610395660) ⑯
  - antes de colocar o adaptador é necessário limpá-lo e lubrificá-lo levemente
  - puxar para trás o casquilho de bloqueio G ② e insira o adaptador na bucha SDS+ enquanto o roda e empurra até engatar; o adaptador fica automaticamente travado
  - puxar o adaptador para verificar se está bem travado
  - coloque o interruptor E ② na função de perfuração normal (**acionar somente com a ferramenta desligada**)
- Quando perfurar metais ferrosos
  - faça primeiro um pequeno furo se necessitar abrir um furo maior
  - lubrifique frequentemente a broca com óleo adequado
- Quando apertar um parafuso num rebordo de madeira, ou perto dele, deverá primeiro perfurar, a fim de evitar que a madeira estale
- Perfuração anti estilhaço em madeira ⑰
- Perfuração sem pó em paredes ⑱
- Perfuração sem pó em tectos ⑲
- Perfuração em cerâmica sem derrapagens ⑳
- Para mais sugestões consulte [www.skileurope.com](http://www.skileurope.com)

## GARANTIA / AMBIENTE

- Mantenha a ferramenta e o fio sempre limpos (especialmente as aberturas de ventilação)
  - ! **desligar a ferramenta da fonte de corrente antes de limpar**
- Prestamos garantia para ferramentas SKIL de acordo com as disposições legais/específicas do país; avarias devidas ao desgaste normal, sobrecarga ou má utilização não estão abrangidas pela garantia
- Em caso de reclamação, enviar a ferramenta **sem desmontar** acompanhada da factura, ao fornecedor ou ao serviço de assistência técnica SKIL mais próximo (os endereços assim como a mapa de peças da ferramenta estão mencionados no [www.skileurope.com](http://www.skileurope.com))

- **Não deite ferramentas eléctricas, acessórios e embalagem no lixo doméstico** (apenas para países da UE)
  - de acordo com a directiva europeia 2002/96/CE sobre ferramentas eléctricas e electrónicas usadas e a transposição para as leis nacionais, as ferramentas eléctricas usadas devem ser recolhidas em separado e encaminhadas a uma instalação de reciclagem dos materiais ecológica
  - símbolo ㉑ lhe avisará em caso de necessidade de arranja-las



## Martello

1765

## INTRODUZIONE

- L'utensile è idoneo così per forare a percussione nel calcestruzzo, nei laterizi e nella pietra come per lavori leggeri di scalpellatura; per forare nel legno, metallo e materie plastiche e per avvitare è necessario applicare un accessorio specifico
- Il sistema di percussione di quest'utensile supera qualsiasi altro trapano a percussione nella perforazione del calcestruzzo
- Quest'utensile è progettato per l'uso in combinazione con tutti gli accessori SDS+
- Leggete e conservate questo manuale di istruzione ③

## CARATTERISTICHE TECNICHE ①

### ELEMENTI UTENSILE ②

- A** Interruttore di accensione/spengimento e regolazione della velocità
- B** Rotella di controllo della velocità massima
- C** Pulsante di blocco dell'interruttore
- D** Leva per l'inversione del senso di rotazione
- E** Commutatore per la selezione della modalità di funzionamento
- F** Pulsante di sblocco
- G** Bussola di bloccaggio
- H** Impugnatura ausiliaria

## SICUREZZA

### ISTRUZIONI GENERALI DI SICUREZZA

**⚠ ATTENZIONE! Leggere tutte le avvertenze di pericolo e le istruzioni operative.** In caso di mancato rispetto delle avvertenze di pericolo e delle istruzioni operative si potrà creare il pericolo di scosse elettriche, incendi e/o incidenti gravi. **Conservare tutte le avvertenze di pericolo e le istruzioni operative per ogni esigenza futura.** Il termine "elettroutensile" utilizzato nelle avvertenze di pericolo si riferisce ad utensili elettrici alimentati dalla rete (con linea di allacciamento).

### 1) SICUREZZA DELLA POSTAZIONE DI LAVORO

- a) **Mantenere pulito ed ordinato il posto di lavoro.**  
Il disordine o le zone di lavoro non illuminate possono essere fonte di incidenti.
- b) **Evitare d'impiegare l'utensile in ambienti soggetti al rischio di esplosioni nei quali si trovino liquidi, gas o polveri infiammabili.** Gli utensili elettrici producono scintille che possono far infiammare la polvere o i gas.
- c) **Mantenere lontani i bambini ed altre persone durante l'impiego dell'utensile elettrico.** Eventuali distrazioni potranno comportare la perdita del controllo sull'utensile.

### 2) SICUREZZA ELETTRICA

- a) **La spina per la presa di corrente dovrà essere adatta alla presa. Evitare assolutamente di apportare modifiche alla spina. Non impiegare spine adattatrici assieme ad utensili con collegamento a terra.** Le spine non modificate e le prese adatte allo scopo riducono il rischio di scosse elettriche.
- b) **Evitare il contatto fisico con superfici collegate a terra, come tubi, riscaldamenti, cucine elettriche e frigoriferi.** Sussiste un maggior rischio di scosse elettriche nel momento in cui il corpo è messo a massa.
- c) **Custodire l'utensile al riparo dalla pioggia o dall'umidità.** L'eventuale infiltrazione di acqua in un utensile elettrico va ad aumentare il rischio d'insorgenza di scosse elettriche.
- d) **Non usare il cavo per scopi diversi da quelli previsti al fine di trasportare o appendere l'utensile, oppure di togliere la spina dalla presa di corrente. Mantenere l'utensile al riparo da fonti di calore, dall'olio, dagli spigoli o da pezzi in movimento.** I cavi danneggiati o aggrovigliati aumentano il rischio d'insorgenza di scosse elettriche.
- e) **Qualora si voglia usare l'utensile all'aperto, impiegare solo ed esclusivamente cavi di prolunga omologati per l'impiego all'esterno.** L'uso di un cavo di prolunga omologato per l'impiego all'esterno riduce il rischio d'insorgenza di scosse elettriche.
- f) **Qualora non fosse possibile evitare di utilizzare l'utensile in ambiente umido, utilizzare un interruttore di messa a terra.** L'uso di un interruttore di messa a terra riduce il rischio di una scossa elettrica.

### 3) SICUREZZA DELLE PERSONE

- a) **È importante concentrarsi su ciò che si sta facendo e a maneggiare con giudizio l'utensile elettrico durante le operazioni di lavoro. Non utilizzare l'utensile in caso di stanchezza o sotto l'effetto di droghe, bevande alcoliche e medicinali.** Un attimo di distrazione durante l'uso dell'utensile potrà causare lesioni gravi.
- b) **Indossare sempre equipaggiamento protettivo individuale, nonché guanti protettivi.** Se si avrà cura d'indossare equipaggiamento protettivo individuale come la maschera antipolvere, la calzatura antistrucchiolevole di sicurezza, il casco protettivo o la protezione dell'udito, a seconda dell'impiego previsto per l'utensile elettrico, si potrà ridurre il rischio di ferite.

- c) **Evitare l'accensione involontaria dell'utensile. Prima di collegarlo alla rete di alimentazione elettrica, prima di prenderlo oppure prima di iniziare a trasportarlo, assicurarsi che l'utensile sia spento.** Tenendo il dito sopra l'interruttore mentre si trasporta l'utensile oppure collegandolo all'alimentazione di corrente con l'interruttore inserito, si vengono a creare situazioni pericolose in cui possono verificarsi seri incidenti.
- d) **Togliere gli attrezzi di regolazione o la chiave inglese prima di accendere l'utensile.** Un utensile o una chiave inglese che si trovino in una parte dell'utensile in rotazione potranno causare lesioni.
- e) **È importante non sopravvalutarsi. Avere cura di mettersi in posizione sicura e di mantenere l'equilibrio.** In tale maniera sarà possibile controllare meglio l'utensile in situazioni inaspettate.
- f) **Indossare vestiti adeguati. Evitare di indossare vestiti lenti o gioielli. Tenere i capelli, i vestiti ed i guanti lontani da pezzi in movimento.** Vestiti lenti, gioielli o capelli lunghi potranno impigliarsi in pezzi in movimento.
- g) **Se sussiste la possibilità di montare dispositivi di aspirazione o di captazione della polvere, assicurarsi che gli stessi siano stati installati correttamente e vengano utilizzati senza errori.** L'utilizzo di un'aspirazione polvere può ridurre lo svilupparsi di situazioni pericolose dovute alla polvere.
- 4) **MANEGGIO ED IMPIEGO ACCURATO DI UTENSILI ELETTRICI**
  - a) **Non sovraccaricare l'utensile. Impiegare l'utensile elettrico adatto per sbrigare il lavoro.** Utilizzando l'utensile elettrico adatto si potrà lavorare meglio e con maggior sicurezza nell'ambito della gamma di potenza indicata.
  - b) **Non utilizzare utensili elettrici con interruttori difettosi.** Un utensile elettrico che non si può più accendere o spegnere è pericoloso e dovrà essere riparato.
  - c) **Togliere la spina dalla presa di corrente prima di regolare l'utensile, di sostituire pezzi di ricambio o di mettere da parte l'utensile.** Tale precauzione eviterà che l'utensile possa essere messo in funzione inavvertitamente.
  - d) **Custodire gli utensili elettrici non utilizzati al di fuori della portata dei bambini. Non fare usare l'utensile a persone che non sono abituate ad usarlo o che non abbiano letto le presenti istruzioni.** Gli utensili elettrici sono pericolosi se utilizzati da persone inesperte.
  - e) **Effettuare accuratamente la manutenzione dell'utensile. Verificare che le parti mobili dell'utensile funzionino perfettamente e non s'inceppino, che non ci siano pezzi rotti o danneggiati al punto tale da limitare la funzione dell'utensile stesso. Far riparare le parti danneggiate prima d'impiegare l'utensile.** Numerosi incidenti vengono causati da utensili elettrici la cui manutenzione è stata effettuata poco accuratamente.

- f) **Mantenere affilati e puliti gli utensili da taglio.**  
Gli utensili da taglio curati con particolare attenzione e con taglienti affilati s'incepiscono meno frequentemente e sono più facili da condurre.
- g) **Utilizzare utensili elettrici, accessori, attrezzi, ecc. in conformità con le presenti istruzioni. Osservare le condizioni di lavoro ed il lavoro da eseguirsi durante l'impiego.** L'impiego di utensili elettrici per usi diversi da quelli consentiti potrà dar luogo a situazioni di pericolo.
- 5) **ASSISTENZA**
- a) **Fare riparare l'utensile solo ed esclusivamente da personale specializzato e solo impiegando pezzi di ricambio originali.** In tale maniera potrà essere salvaguardata la sicurezza dell'utensile.

## ISTRUZIONI DI SICUREZZA PER MARTELLI

- **Utilizzare cuffie di protezione per le orecchie con trapani a percussione** (l'esposizione al rumore può causare danni all'udito)
- **Utilizzare l'impugnatura ausiliaria fornita con l'utensile** (la perdita di controllo può causare ferite all'operatore)
- Evitate possibili danneggiamenti da viti e chiodi sporgenti; rimuoverli prima di iniziare la lavorazione
- Mantenere sempre il cavo distante dalle parti in movimento dell'utensile
- **Fissare il pezzo da lavorare** (un pezzo in lavorazione rimane bloccato in posizione con maggiore sicurezza se fissato con appositi dispositivi di serraggio o con una morsa e non tenendolo con la mano)
- Quando riponete l'utensile accertatevi che non ci siano parti in movimento e che il motore sia spento
- Usare cavi di prolunga completamente srotolati e sicure con una capacità di 16 Amp
- Nel caso di cattivo funzionamento elettrico o meccanico, spegnete subito l'utensile e staccate la spina
- La SKIL garantisce un perfetto funzionamento dell'utensile soltanto se vengono utilizzati accessori originali
- Utilizzate solo accessori il cui numero massimo di giri corrisponda almeno al massimo dei numeri di giri dell'utensile
- Questo utensile non dev'essere utilizzato da persone di età inferiore ai 16 anni
- **Al fine di rilevare possibili linee di alimentazione nascoste, utilizzare adatte apparecchiature di ricerca oppure rivolgersi alla locale società erogatrice** (un contatto con linee elettriche può provocare lo sviluppo di incendi e di scosse elettriche; danneggiando linee del gas si può creare il pericolo di esplosioni; penetrando una tubazione dell'acqua si provocano seri danni materiali oppure vi è il pericolo di provocare una scossa elettrica)

- **Quando si eseguono lavori in cui vi è pericolo che l'accessorio impiegato possa arrivare a toccare cavi elettrici nascosti oppure anche il cavo elettrico dell'elettroutensile stesso, operare con l'elettroutensile afferrandolo sempre alle superfici di impugnatura isolate** (un contatto con un cavo elettrico mette sotto tensione anche parti in metallo dell'elettroutensile provocando quindi una scossa elettrica)
- **Non lavorare mai materiali contenenti amianto** (l'amianto è ritenuto materiale cancerogeno)
- **Prendere dei provvedimenti appropriati in caso che durante il lavoro dovessero svilupparsi polveri dannose per la salute, infiammabili oppure esplosive** (alcune polveri sono considerate cancerogene); portare una maschera di protezione contro la polvere ed utilizzare, se collegabile, un sistema di aspirazione polvere/aspirazione trucioli
- Se durante un'operazione di lavoro viene danneggiato oppure troncato il cavo, non toccare il cavo ma estrarre immediatamente la spina dalla presa
- Non usare l'utensile quando il cavo è danneggiato; farlo sostituire da personale qualificato
- Controllare che la tensione dell'alimentazione sia la stessa di quella indicata sulla targhetta dell'utensile (gli utensili con l'indicazione di 230V o 240V possono essere collegati anche alla rete di 220V)
- Se la punta si blocca inaspettatamente (provocando un contraccolpo di reazione), spegnete subito l'utensile
- Attenzione alle forze sviluppate in caso di bloccaggio dell'utensile (specialmente nella foratura del metallo); **utilizzare sempre l'impugnatura ausiliaria H ②** ed assumete una sicura posizione di lavoro
- **Staccate sempre la spina dell'utensile prima di effettuare regolazioni o cambiare gli accessori**

## USO

- Acceso/spento ④
- Blocco dell'interruttore per il funzionamento continuo ⑤
- Regolazione della velocità per un avviamento lento ⑥
- Controllo della velocità massima ⑦
- Con la rotella B ② potete scegliere progressivamente la velocità massima da minima a massima
- Inversione del senso di rotazione ⑧
  - quando la posizione sinistra/destra non è inserita propriamente l'interruttore A non può essere attivato
- **! invertire il senso di rotazione solo quando l'utensile si è arrestato completamente**
- Selezione della modalità di funzionamento ⑨
  - premete il pulsante F per sbloccare il commutatore E
  - ruotate il commutatore E sulla modalità di funzionamento desiderata, finché non scatta in posizione
- **! accendete l'utensile solo quando il commutatore E è bloccato**
  - 1 = foratura normale/avvitatura
  - 2 = foratura a percussione
  - 3 = scalpellatura con scalpello girevole
  - 4 = scalpellatura con scalpello fisso



- ! **selezionare la modalità di funzionamento solo a utensile fermo**
- per forare nel legno, metallo e materie plastiche e per avvitare, bisogna applicare il relativo adattatore (ved.: Consiglio pratico)
- il meccanismo di percussione è attivato applicando una leggera pressione sull'utensile quando la punta è a contatto con il piano di lavoro
- i migliori risultati si ottengono solo applicando una leggera pressione sull'utensile il che impegna la frizione automatica; la prestazione di perforazione non migliorerà applicando più pressione sull'utensile: **GLI UTENSILI SKIL LAVORANO PER VOI**
- Scalpellatura con scalpello girevole <sup>(10)</sup>
- ! **spengete l'utensile e togliete la spina dalla presa di corrente**
- selezionare la modalità della scalpellatura con "rotazione"
- Scalpellatura con scalpello fisso <sup>(11)</sup>
- ! **spengete l'utensile e togliete la spina dalla presa di corrente**
- selezionare la modalità della scalpellatura con "rotazione"
- posizionare lo scalpello nel punto desiderato
- selezionare la modalità della scalpellatura "fissa"
- Cambio delle punte <sup>(12)</sup>
- prima dell'impiego pulire ed ingrassare leggermente l'accessorio
- tirare all'indietro la bussola di bloccaggio G ed inserire l'accessorio nel mandrino SDS+ ruotandolo e spingendolo fino all'innesto; l'accessorio si blocca automaticamente
- controllare il bloccaggio tirando l'accessorio
- rimuovere l'accessorio tirando all'indietro la bussola di bloccaggio G
- ! **l'accessorio SDS+ deve essere mobile: si forma così una eccentricità durante il funzionamento a vuoto, che viene annullata automaticamente durante la foratura; questo sistema non ha nessun effetto sulla precisione di foratura**
- ! **non utilizzare punte/scalpelli con il gambo danneggiato**
- Frizione di sicurezza
- Nel caso l'accessorio si blocchi, viene interrotta la trasmissione all'alberino (provocando un rumore intermittente)
- spegnere subito l'utensile
- rimuovere l'accessorio bloccato
- avviare nuovamente l'utensile
- Regolazione della profondità di perforazione <sup>(13)</sup>
- Tenuta e guida dell'utensile <sup>(14)</sup>
- **utilizzare sempre l'impugnatura ausiliaria H <sup>(2)</sup>** (può venire regolata come illustrato)
- tenete libere le feritoie di ventilazione
- non applicate una pressione eccessiva all'utensile; lasciate che sia l'utensile a lavorare per voi

## CONSIGLIO PRATICO

- Usare le punte appropriate <sup>(15)</sup>
- ! **usare solo punte/scalpelli affilate**
- Per forare nel legno, metallo e materie plastiche e per avvitare utilizzare il relativo adattatore (accessorio SKIL 2610395660) <sup>(16)</sup>
  - l'adattatore si blocca automaticamente
  - tirare all'indietro la bussola di bloccaggio G <sup>(2)</sup> ed inserire l'adattatore nel mandrino SDS+ ruotandolo e spingendolo fino all'innesto; l'adattatore si blocca automaticamente
  - controllare il bloccaggio tirando l'adattatore
  - spostare l'interruttore E <sup>(2)</sup> nel funzionamento di perforazione normale (**azionare solo a utensile fermo**)
- Quando le parti da forare sono ferrose
  - preparare un piccolo foro, quando è richiesto un grande foro
  - lubrificare la punta di tanto in tanto con olio
- Quando avvitate una vite in vicinanza dei bordi dell'asse, è preferibile fare un foro precedentemente per evitare le spaccature di legno
- Forature antisceglia nel legno <sup>(17)</sup>
- Foratura senza polvere nel muro <sup>(18)</sup>
- Foratura senza polvere nel soffitto <sup>(19)</sup>
- Foratura di piastrelle senza scivolamento <sup>(20)</sup>
- Per altri consigli consultare il sito [www.skileurope.com](http://www.skileurope.com)

## GARANZIA /TUTELA DELL'AMBIENTE

- Tenete sempre puliti utensile e cavo (soprattutto le feritoie di ventilazione)
- ! **prima di pulire estrarre la spina dalla presa**
- Per gli utensili SKIL forniamo garanzia conforme alle disposizioni di legge/specifiche nazionali; guasti derivanti da usura naturale, sovraccarico o uso improprio dell'utensile sono esclusi dalla garanzia
- In caso di malfunzionamento, inviare l'utensile **non smontato** insieme a la fattura al fornitore oppure al più vicino servizio assistenza autorizzato SKIL (l'indirizzo ed il disegno delle parti di ricambio dell'utensile sono riportati su [www.skileurope.com](http://www.skileurope.com))
- **Non gettare l'utensile elettrico, gli accessori e l'imballaggio tra i rifiuti domestici** (solo per paesi UE)
  - secondo la Direttiva Europea 2002/96/CE sui rifiuti di utensili elettrici ed elettronici e la sua attuazione in conformità alle norme nazionali, gli utensili elettrici esausti devono essere raccolti separatamente, al fine di essere reimpiagati in modo eco-compatibile
  - il simbolo <sup>(21)</sup> vi ricorderà questo fatto quando dovrete eliminarle

## BEVEZETÉS

- A készülék betonban, téglában és kőzetekben végzett útiefűrésra valamint véséshez szolgál; fában, fémekben és műanyagokban végzett fűrésrahoz valamint csavarozáshoz használjon speciális tartozékokat
- Ezen készülék útiefűró rendszere messze felülmúlja a szokásos útiefűrógépeket betonfűrésnál
- A gép alkalmas valamennyi SDS+ tartozék használatára
- Olvassa el figyelmesen és őrizze meg a használati utasítást ③

## TECHNIKAI ADATOK ①

## SZERSZÁMGÉP ELEMEI ②

- A Be/Ki kapcsoló és sebességszabályozó
- B A maximális sebesség beállítására szolgáló kerék
- C Kapcsolórögzítőgomb
- D A forgásirány változtatására szolgáló kar
- E Üzem mód kapcsoló
- F Kioldó gomb
- G Reteszelő hüvelyt
- H Oldalfogantyú

## BIZTONSÁG

## ÁLTALÁNOS BIZTONSÁGI ELŐÍRÁSOK

**⚠ FIGYELEM! Olvassa el az összes biztonsági figyelmeztetést és előírást.** A következőkben leírt előírások betartásának elmulasztása áramütésekhez, tűzhez és/vagy súlyos testi sérülésekhez vezethet. **Kérjük a későbbi használatra gondosan őrizze meg ezeket az előírásokat.** Az alább alkalmazott "elektromos kéziszerszám" fogalom a hálózati elektromos kéziszerszámokat (hálózati csatlakozó kábellel) foglalja magában.

## 1) MUNKAHELYI BIZTONSÁG

- Tartsa tisztán és tartsa rendben a munkahelyét.** Rendetlen munkahelyek vagy megvilágítatlan munkaterületek balesetekhez vezethetnek.
- Ne dolgozzon az elektromos kéziszerszámmal olyan robbanásveszélyes környezetben, ahol éghető folyadékok, gázok vagy porok vannak.** Az elektromos kéziszerszámok szikrákat bocsáthatnak ki, amelyek meggyújthatják a port vagy a gőzöket.
- Tartsa távol a gyerekeket és az idegen személyeket a munkahelytől, ha az elektromos kéziszerszámot használja.** Ha elvonják a figyelmét a munkától, könnyen elvesztheti az uralmát a berendezés felett.

## 2) ELEKTROMOS BIZTONSÁGI ELŐÍRÁSOK

- A készülék csatlakozó dugójának bele kell illeszkednie a dugaszolóaljzatba. A csatlakozó dugót semmilyen módon sem szabad megváltoztatni. Védőföldeléssel ellátott készülékekkel kapcsolatban ne használjon csatlakozó adaptert.** A változtatás nélküli csatlakozó dugók és a megfelelő dugaszoló aljzatok csökkentik az áramütés kockázatát.
  - Ne érjen hozzá földelt felületekhez, mint csövekhez, fűtőtestekhez, kályhákhoz és hűtőszekrényekhez.** Az áramütési veszély megnövekszik, ha a teste le van földelve.
  - Tartsa távol az elektromos kéziszerszámot az esőtől és a nedvesség hatásaitól.** Ha víz hatol be egy elektromos kéziszerszámba, ez megnöveli az áramütés veszélyét.
  - Ne használja a kábelt a rendeltetésétől eltérő célokra, vagyis a szerszámot soha ne hordozza vagy akassza fel a kábelnél fogva, és soha ne húzza ki a hálózati csatlakozó dugót a kábelnél fogva. Tartsa távol a kábelt hőforrásoktól, olajtól, éles élektől, sarkaktól és mozgó gépalkatrészekről.** Egy megrongálódott vagy csomókkal teli kábel megnöveli az áramütés veszélyét.
  - Ha egy elektromos kéziszerszámmal a szabad ég alatt dolgozik, csak a szabadban való használatra engedélyezett hosszabbítót használjon.** A szabadban való használatra engedélyezett hosszabbító használat csökkenti az áramütés veszélyét.
  - Ha nem lehet elkerülni az elektromos kéziszerszám nedves környezetben való használatát, alkalmazzon egy földzárlat megszakítót.** Egy földzárlat megszakító alkalmazása csökkenti az áramütés kockázatát.
- 3) SZEMÉLYI BIZTONSÁGI ELŐÍRÁSOK**
- Munka közben mindig figyeljen, ügyeljen arra, amit csinál, és meggondoltan dolgozzon az elektromos kéziszerszámmal. Ha fáradt, ha kábítószerek vagy alkohol hatása alatt áll, vagy orvosságokat vett be, ne használja a berendezést.** A berendezéssel végzett munka közben már egy pillanatnyi figyelmetlenség is komoly sérülésekhez vezethet.
  - Viseljen személyi védőfelszerelést és mindig viseljen védőszemüveget.** A személyi védőfelszerelések, mint porvédő álarc, csúszásbiztos védőcipő, védősapka és fülvédő használat a elektromos kéziszerszám használatra jellegének megfelelően csökkenti a személyes sérülések kockázatát.
  - Kerülje el a készülék akaratlan üzembe helyezését. Győződjön meg arról, hogy az elektromos kéziszerszám ki van kapcsolva, mielőtt bedugná a csatlakozó dugót a dugaszolóaljzatba, mielőtt felvenné és vinni kezdené az elektromos kéziszerszámot.** Ha az elektromos kéziszerszám felemelése közben az ujját a kapcsolón tartja, vagy ha a készüléket bekapcsolt állapotban csatlakoztatja az áramforráshoz, ez balesetekhez vezethet.

- d) **Az elektromos kéziszerszám bekapcsolása előtt okvetlenül távolítsa el a beállító szerszámokat vagy csavarkulcsokat.** Az elektromos kéziszerszám forgó részeiben felejtett beállító szerszám vagy csavarkulcs sérüléseket okozhat.
- e) **Ne becslje túl önmagát. Kerülje el a normálistól eltérő testtartást, ügyeljen arra, hogy mindig biztosan álljon és az egyensúlyát megtartsa.** Így az elektromos kéziszerszám felett váratlan helyzetekben is jobban tud uralkodni.
- f) **Viseljen megfelelő ruhát. Ne viseljen bő ruhát vagy ékszereket. Tartsa távol a haját, a ruháját és a kesztyűjét a mozgó részekről.** A bő ruhát, az ékszereket és a hosszú haját a mozgó alkatrészek magukkal ránthatják.
- g) **Ha az elektromos kéziszerszámra fel lehet szerelni a por elszívásához és összegyűjtéséhez szükséges berendezéseket, ellenőrizze, hogy azok megfelelő módon hozzá vannak kapcsolva a készülékhez és rendeltetésüknek megfelelően működnek.**  
A porgyűjtő berendezések használata csökkentheti a munka során keletkező por veszélyes hatását.
- 4) AZ ELEKTROMOS KÉZISZERSZÁMOK GONDOS KEZELÉSE ÉS HASZNÁLATA**
- a) **Ne terhelje túl az elektromos kéziszerszámot. A munkájához csak az arra szolgáló elektromos kéziszerszámot használja.** Egy alkalmas elektromos kéziszerszámmal a megadott teljesítménytartományon belül jobban és biztonságosabban lehet dolgozni.
- b) **Ne használjon olyan elektromos kéziszerszámot, amelynek a kapcsolója elromlott.** Egy olyan elektromos kéziszerszám, amelyet nem lehet sem be-, sem kikapcsolni, veszélyes és meg kell javíttatni.
- c) **Húzza ki a csatlakozó dugót a dugaszolóaljzattól, mielőtt az elektromos kéziszerszámon beállítási munkákat végez, tartozékokat cserél vagy a szerszámot tárolásra elteszi.** Ez az elővigyázatosságú intézkedés meggátolja a szerszám akaratlan üzembe helyezését.
- d) **A használat kívüli elektromos kéziszerszámokat olyan helyen tárolja, ahol azokhoz gyerekek ne férhess nek hozzá. Ne hagyja, hogy olyan személyek használják az elektromos kéziszerszámot, akik nem ismerik a szerszámot vagy nem olvasták el ezt az útmutatót.** Az elektromos kéziszerszámok veszélyesek, ha azokat gyakorlatlan személyek használják.
- e) **A készüléket gondosan ápolja. Ellenőrizze, hogy a mozgó alkatrészek kifogástalanul működnek-e, nincsenek-e beszorulva, és nincsenek-e eltörve vagy megrongálódva olyan alkatrészek, amelyek hatással lehetnek az elektromos kéziszerszám működésére.** A megrongálódott részeket a készülék használata előtt javíttassa meg. Sok olyan baleset történik, amelyet az elektromos kéziszerszám nem kielégítő karbantartására lehet visszavezetni.
- f) **Tartsa tisztán és éles állapotban a vágószerszámokat.** Az éles vágóélekkel rendelkező és gondosan ápolat vágószerszámok ritkábban ékelődnek be és azokat könnyebben lehet vezetni és irányítani.

- g) **Az elektromos kéziszerszámokat, tartozékokat, betétszerszámokat stb. csak ezen előírásoknak használja. Vegye figyelembe a munkafeltételeket és a kivitelezendő munka sajátosságait.** Az elektromos kéziszerszám eredeti rendeltetésétől eltérő célokra való alkalmazása veszélyes helyzetekhez vezethet.

## 5) SZERVIZ

- a) **Az elektromos kéziszerszámot csak szakképzett személyzet és csak eredeti pótalkatrészek felhasználásával javíthatja.** Ez biztosítja, hogy az elektromos kéziszerszám biztonságos szerszám maradjon.

## BIZTONSÁGI ELŐÍRÁSOK FÜRÓKALAPÁCSHOZ

- **Az ütvefúró használatakor viseljen fülvédőt** (a túl nagy zajártalom halláskárosodást okozhat)
- **Használja a géphez tartozó oldalfogantyút** (a gép fölötti uralom elvesztése fizikai sérüléseket okozhat)
- **Ügyeljen arra, hogy a munkadarabban lévő csavar, szög vagy hasonló sérüléseket ne okozhasson; a munka megkezdése előtt eltávolítandó**
- **A gép mozgó részétől mindig tartsa távol az elektromos kábelt**
- **Rögzítse a munkadarabot** (befogókészülékkel vagy satuval befogott munkadarabot sokkal biztonságosabban lehet rögzíteni mint a kézzel tartottat)
- **A gépet soha ne hagyja bekapcsolt állapotban, ha már nem dolgozik vele**
- **Használjon teljesen letekert és biztonságos hosszabbítókábel, 16 A-es teljesítménnyel**
- **Normálistól eltérő működés valamint szokatlan, idegen hangok esetén a készüléket azonnal kapcsolja ki és a kábelt húzza ki a fali dugaszoló aljzattól**
- **SKIL cég kizárólag eredeti alkatrészek és kiegészítők alkalmazása esetén tudja garantálni a gép problémamentes működését**
- **Csak olyan tartozékot használjon, amelynek legmagasabb megengedett fordulatszáma legalább akkora, mint a berendezés legmagasabb üresjáratú fordulatszáma**
- **A készüléket csak 16 éven felüli személyek használják**
- **A rejtett vezetékek felkutatásához használjon alkalmas fémkereső készüléket, vagy kérje ki a helyi energiaellátó vállalat tanácsát** (ha egy elektromos vezetékeket a berendezéssel megérint, ez tűzhöz és áramütéshez vezethet; egy gázvezeték megrongálása robbanást eredményezhet; egy vízvezetékbe való behatolás anyagot károskhoz és áramütéshez vezethet)
- **Az elektromos kéziszerszámot csak a szigetelt fogantyúfelületeknél fogja meg, ha olyan munkákat végez, amelyek során a betétszerszám kívülről nem látható, feszültség alatt álló vezetékeket, vagy a saját hálózati vezetékét is átvághatja** (ha a berendezés egy feszültség alatt álló vezetékhez ér, az elektromos kéziszerszám fémrészei szintén feszültség alá kerülnek és áramütéshez vezetnek)

- **Ne munkáljon meg a berendezéssel azbeszteszt tartalmazó anyagokat** (az azbesztesztnek rákkeltő hatása van)
- **Hozza meg a szükséges védőintézkedéseket, ha a munkák során egészségkárosító hatású, éghető vagy robbanékony porok keletkezhetnek** (egyres porfajták rákkeltő hatásúak); viseljen porvédő álcot és használjon, ha hozzá lehet csatlakoztatni a berendezéshez, egy por-/forgácselvező berendezést
- Ha a kábel munka közben megsérül vagy el van vágva, ne érjen a kábelhez, hanem azonnal húzza ki a kábelt a kábeltől
- Soha ne használja a szerszámot ha a kábel sérült; cseréltesse ki szakértő által
- Mindig ellenőrizze, hogy a hálózati feszültség megegyezik-e a szerszám adattábláján feltüntetett értékkel (a 230V vagy 240V jelzésű gépek 220V feszültségre is csatlakoztathatók)
- A fűrész várakozás (hirtelen, veszélyes reakciót okozó) beszorulása vagy elakadása esetén azonnal kapcsolja ki a gépet
- Soha ne feledkezzen meg arról, hogy a fűrész elakadása vagy beszorulása (különösen fémfűrész esetén) mekkora erőhatással jár; **a gépet mindig az oldalfogantyúnál H ② fogja** és gondoskodjon szilárd támaszról
- **Mindig húzza ki a dugaszolóaljzatot mielőtt tartozékot cserélné vagy bármit változtatna a gép beállításán**

## KEZELÉS

- Be/Ki ④
- Kapcsolórögzőt folyamatos használat esetére ⑤
- Egyenletes indítást biztosító sebességszabályozó ⑥
- Maximális sebesség beállítás ⑦
- A B ② kerék segítségével állítható be fokozatmentesen a legnagyobb fordulatszám, a minimumtól a maximumig
- Forgásirány változtatás ⑧
  - amennyiben az A be/ki kapcsoló nem kattant tökéletesen a helyére ne kapcsolja be gépet
  - ! **a forgásirány kizárólag a gép teljes leállása után változtatható**
- Üzem mód megválasztása ⑨
  - nyomja meg az F gombot az E kapcsoló kioldásához
  - kapcsolja az E kapcsolót a kívánt üzemmódba, amíg az a helyére kattant
  - ! **csak akkor kezdje meg a munkát, ha az E kapcsoló rögzítve van**
    - 1 = normál fűrész/csavarhúzás
    - 2 = útvefűrész
    - 3 = vésés forgó vésőval
    - 4 = vésés rögzített vésőval
  - ! **az üzemmódot megválasztását a gép kikapcsolt állapotában végezze**
  - fában, fémekben és műanyagokban végzett fűrészhez valamint csavarozáshoz a hozzátartozó adapterrel használja (lásd: Használat)

- az útvefűrész mechanizmus akkor lép működésbe, amikor a fűrész a munkadarabbal érintkezik, a gépre gyakorolt enyhe nyomás bekapcsolja az útvefűrész mechanizmust
- a legjobb fűrési eredményt akkor éri el, ha a gépre enyhe nyomást gyakorolunk, ez szükséges az automatikus kuplung működtetéséhez; az erőteljesebb nyomás nem javítja a fűrési teljesítményt: **A SKIL GÉP ÖN HELYETT DOLGOZIK**
- Vésés forgó vésőval ⑩
  - ! **kapcsolja ki a gépet és húzza ki a csatlakozódugót**
  - válassza a "forgó" vésési módot
- Vésés rögzített vésőval ⑪
  - ! **kapcsolja ki a gépet és húzza ki a csatlakozódugót**
  - válassza a "forgó" vésési módot
  - helyezze a vésőt a kívánt helyzetbe
  - válassza a "rögzített" vésési módot
- A szerszámhegyek cseréje ⑫
  - a tartozékot használat előtt tisztítsuk meg és enyhén zsírozzuk be
  - húzza vissza a reteszelő hüvelyt G és illesse be a tartozékot az SDS+ tokmánya s eközben forgassa és nyomja, amíg a helyére nem kerül; a tartozék automatikusan rögzül
  - a tartozékot húzzuk meg, így ellenőrizzük a megfelelő reteszeléset
  - a reteszelő hüvelyt G visszahúzása után a tartozékot kivéhető
  - ! **az SDS+ tartozéknak szabadon kell mozognia, ezáltal amikor a gép üresjáratban van, a tartozék forgás közben kitér, fűrésznál azonban automatikusan középre áll; ez nem befolyásolja a furat pontosságát**
  - ! **soha ne használjon sérült befogóvégű szerszámhegyet/vésőt**
- Biztonsági tengelykapcsoló
  - Ha a tartozék megszorul, a tengely meghajtása megszűnik (kerekpélő hangot okoz)
  - azonnal kapcsolja ki a gépet
  - a megszorult tartozékot távolítsa el
  - kapcsolja be újra a gépet
- A furatmélység beállítása ⑬
- A gép vezetése és tartása ⑭
  - **a gépet mindig az oldalfogantyúnál H ② fogja** (az ábrán látható módon beállítható)
  - tartsa a szellőzőnyílásokat mindig szabadon
  - ne gyakoroljon túl nagy nyomást a gépre; hagyja, hogy a gép dolgozzon ön helyett

## HASZNÁLAT

- Mindig a megfelelő szerszámhegyet használja ⑮
  - ! **ne használjon kopott vagy élelten szerszámhegyet/vésőt**

- Használjon a hozzátartozó adapterrel (2610395660 SKIL tartozék) fában, fémekben és műanyagokban végzett fúrásrahoz valamint csavarozáshoz <sup>16</sup>
  - az adaptert használat előtt tisztítsuk meg és enyhén zsirozzuk be
  - húzza vissza a reteszelő hüvelyt G <sup>2</sup> és illessze be az adaptert az SDS+ tokmánya s eközben forgassa és nyomja, amíg a helyére nem kerül; az adapter automatikusan rögzül
  - az adaptert húzzuk meg, így ellenőrizzük a megfelelő reteszelést
  - az E <sup>2</sup> kapcsolót normál fúrásra állítjuk (**csak álló motornál kapcsoljuk**)
- Fémekben történő fúrásokr
  - készítsünk kisméretű előfuratot
  - kenje időnként olajjal a fúróhegyet
- Csavarok faanyag végébe vagy szálirányába történő behajtása előtt készítsen előfuratot
- Forgácsmentes fúrás <sup>17</sup>
- Pormentes fúrás falban <sup>18</sup>
- Pormentes fúrás plafonban <sup>19</sup>
- Csempék/burkolólapok fúrása megcsúszás nélkül <sup>20</sup>
- A www.skileurope.com címen még több ötletet és javaslatot talál

## GARANCIA / KÖRNYEZET

- Mindig tartsa tisztán a gépet és a vezetéket (különös tekintettel a szellőzőnyílásokra)  
**! tisztítás előtt húzza ki a csatlakozódugót**
- Fent említett termékére a SKIL a törvényes/országokként változó előírások szerint állal garanciát; a garancia nem vonatkozik a szokványos használat során fellépő normális kopásra és a nem megfelelő használat illetve túlterhelés okozta károsodásra
- Panasz esetén küldje az **összeszerelt** gépet a vásárlást bizonyító számlával együtt a kereskedő vagy a legközelebbi SKIL szervizállomás címére (a címlista és a gép szervizdiagramja a www.skileurope.com címen található)
- **Az elektromos kiegészítők, tartozékokat és csomagolást ne dobja a háztartási szemétkébe** (csak EU-országok számára)
  - a használt villamos és elektronikai készülékekről szóló 2002/96/EK irányelv és annak a nemzeti jogba való átültetése szerint az elhasznált elektromos kiegészítők külön kell gyűjteni, és környezetbarát módon újra kell hasznosítani
  - erre emlékeztet a <sup>21</sup> jelzés, amennyiben felmerül az intézkedésre való igény

## Vrtací kladivo

1765

### ÚVOD

- Náradí je určeno k přiklepovému vrtání do betonu, zdiva, cihel a lehké dlabací práce; k vrtání do dřeva, kovu a umělé hmoty jakož i k šroubování použijte speciální příslušenství
- Systém přiklepu a vrtání použitý u tohoto náradí zdaleka předčí všechny ostatní při vrtání do betonu
- Tento náradí umožňuje používání běžného příslušenství SDS+
- Tento návod s pokyny si pečlivě přečtěte a uschovejte <sup>3</sup>

### TECHNICKÉ ÚDAJE <sup>1</sup>

### SOUČÁSTI NÁSTROJE <sup>2</sup>

- A** Vypínač zapnout/vypnout a regulace rychlosti
- B** Kolečko na kontrolu maximální rychlosti
- C** Tlačítko k zajištění vypínače
- D** Páka na změnu směru otáček
- E** Spínač na volbu provozního režimu
- F** Odjišťovací tlačítko
- G** Zajišťovací objímka
- H** Pomocná rukojeť

### BEZPEČNOST

#### VŠEOBECNÉ BEZPEČNOSTNÍ PŘEDPISY

**⚠ POZOR! Čtete všechna varovná upozornění a pokyny.** Zanedbání při dodržování varovných upozornění a pokynů mohou mít za následek úder elektrickým proudem, požár a/nebo těžká poranění. **Všechna varovná upozornění a pokyny do budoucna uschovejte.** Ve varovných upozorněních použitý pojem "elektronářadí" se vztahuje na elektronářadí provozované na el. síti (se síťovým kabelem).

#### 1) BEZPEČNOST PRACOVNÍHO MÍSTA

- Udržujte Vaše pracovní místo čisté a uklizené.** Nepořádek nebo neosvětlené pracovní oblasti mohou vést k úrazům.
- Se strojem nepracujte v prostředích ohrožených explozí, kde se nacházejí hořlavé kapaliny, plyny nebo prach.** Elektronářadí vytváří jiskry, které mohou prach nebo páry zapálit.
- Děti a jiné osoby udržujte při použití elektronářadí daleko od Vašeho pracovního místa.** Při rozptýlení můžete ztratit kontrolu nad strojem.

## 2) ELEKTRICKÁ BEZPEČNOST

- a) **Připojovací zástrčka stroje musí lícovat se zásuvkou. Zástrčka nesmí být žádným způsobem upravena. Společně se stroji s ochranným uzemněním nepoužívejte žádné adaptérové zástrčky.** Neupravené zástrčky a vhodné zásuvky snižují riziko elektrického úderu.
- b) **Zabraňte kontaktu těla s uzemněnými povrchy, jako např. potrubí, topení, sporáky a chladničky.** Je-li Vaše tělo uzemněno, existuje zvýšené riziko elektrického úderu.
- c) **Chraňte stroj před deštěm a vlhkem.** Vniknutí vody do elektrického stroje zvyšuje nebezpečí elektrického úderu.
- d) **Dbejte na účel kabelu, nepoužívejte jej k nošení či zavěšení stroje nebo vytažení zástrčky ze zásuvky. Udržujte kabel daleko od tepla, oleje, ostrých hran nebo pohyblivých dílů stroje.** Poškozené nebo spletené kabely zvyšují riziko elektrického úderu.
- e) **Pokud pracujete s elektronářadím venku, použijte pouze takové prodlužovací kabely, které jsou schváleny i pro venkovní použití.** Použití prodlužovacího kabelu, jež je vhodný pro použití venku, snižuje riziko elektrického úderu.
- f) **Pokud se nelze vyhnout provozu elektronářadí ve vlhkém prostředí, použijte ochranný jistič.** Nasazení ochranného jističe snižuje riziko úderu elektrickým proudem.

## 3) BEZPEČNOST OSOB

- a) **Bud'te pozorní, dávejte pozor na to, co děláte a přistupujte k práci s elektronářadím rozumně. Stroj nepoužívejte pokud jste unaveni nebo pod vlivem drog, alkoholu nebo léků.** Moment nepozornosti při použití elektronářadí může vést k vážným poraněním.
- b) **Noste osobní ochranné pomůcky a vždy ochranné brýle.** Nošení osobních ochranných pomůcek jako maska proti prachu, bezpečnostní obuv s protiskluzovou podrážkou, ochranná přilba nebo sluchátka, podle druhu nasazení elektronářadí, snižují riziko poranění.
- c) **Zabraňte neúmyslnému uvedení do provozu. Přesvědčte se, že je elektronářadí vypnuté dříve než jej uchopíte, poneseťe či připojíte na zdroj proudu.** Máte-li při nošení elektronářadí prst na spínači nebo pokud stroj připojíte ke zdroji proudu zapnutý, pak to může vést k úrazům.
- d) **Než stroj zapnete, odstraňte seřizovací nástroje nebo šroubovák.** Nástroj nebo klíč, který se nachází v otáčivém dílu stroje, může vést k poranění.
- e) **Nepřeceňujte se. Zajistěte si bezpečný postoj a vždy udržujte rovnováhu.** Tím můžete stroj v neočekávaných situacích lépe kontrolovat.
- f) **Noste vhodný oděv. Nenoste žádný volný oděv nebo šperky. Vlasy, oděv a rukavice udržujte daleko od pohybujících se dílů.** Volný oděv, šperky nebo dlouhé vlasy mohou být zachyceny pohybujícími se díly.

- g) **Lze-li namontovat odsávací či zachycující přípravky, přesvědčte se, že jsou připojeny a správně použity.** Použití odsávání prachu může snížit ohrožení prachem.

## 4) SVĚDOMITĚ ZACHÁZENÍ A POUŽÍVÁNÍ ELEKTRONÁŘADÍ

- a) **Stroj nepřetěžujte. Pro svou práci použijte k tomu určený stroj.** S vhodným elektronářadím budete pracovat v udané oblasti výkonu lépe a bezpečněji.
  - b) **Nepoužívejte žádné elektronářadí, jehož spínač je vadný.** Elektronářadí, které nelze zapnout či vypnout je nebezpečné a musí se opravit.
  - c) **Než provedete seřízení stroje, výměnu dílů příslušenství nebo stroj odložíte, vytáhněte zástrčku ze zásuvky.** Toto preventivní opatření zabrání neúmyslnému zapnutí stroje.
  - d) **Uchovávejte nepoužívané elektronářadí mimo dosah dětí. Nenechte stroj používat osobám, které se strojem nejsou seznámeny nebo nečetly tyto pokyny.** Elektronářadí je nebezpečné, je-li používáno nezkušenými osobami.
  - e) **Pečujte o stroj svědomitě. Zkontrolujte, zda pohyblivé díly stroje bezvadně fungují a nevzpřichují se, zda díly nejsou zlomené nebo poškozené tak, že je omezena funkce stroje. Poškozené díly nechte před nasazením stroje opravit.** Mnoho úrazů má příčinu ve špatně udržovaném elektronářadí.
  - f) **Řezné nástroje udržujte ostré a čisté.** Pečlivě ošetřované řezné nástroje s ostrými řeznými hranami se méně vzpřichují a dají se lehčeji vést.
  - g) **Používejte elektronářadí, příslušenství, nasazovací nástroje apod. podle těchto pokynů. Respektujte přitom pracovní podmínky a prováděnou činnost.** Použití elektronářadí pro jiné než určující použití může vést k nebezpečným situacím.
- ## 5) SERVIS
- a) **Nechte Váš stroj opravit pouze kvalifikovaným odborným personálem a pouze s originálními náhradními díly.** Tím bude zajištěno, že bezpečnost stroje zůstane zachována.

## BEZPEČNOSTNÍ PŘEDPISY PRO VRTACÍ KLDIVA

- **Při práci za použití příklepovou vrtačku chraňte svůj sluch** (vystavení se déle trvajícím nadměrnému hluku může způsobit poškození sluchu)
- **Používejte přidavnou pomocná rukojeť, která je k nářadí dodávána** (ztráta kontroly může způsobit poranění)
- **Vrtačku nepoužívejte je-li navlhla a nepracujte v blízkosti snadno zápalných nebo výbušných materiálů;** před zahájením práce je odstraňte
- **Šňůru udržujte vždy mimo dosah pohyblivých částí nástroje**
- **Zajistěte obráběný díl** (obráběný díl uchycený pomocí upínacích zařízení nebo ve svěráku je mnohem bezpečnější než v ruce)
- **Jakmile se hodláte vzdálit od nářadí, měl byste ho vypnout a vyčkat, dokud se pohybující části nezastaví**

- Použijte zcela rozvinuté a bezpečné prodlužovací šňůry o kapacitě 16 ampér
- V případě atypického chování nebo cizích hluků ihned vypněte nářadí a vytáhněte zástrčku
- SKIL zajistí bezvadnou funkci nářadí pouze tehdy, používáte-li původní značkové
- Používejte pouze příslušenství, jejichž dovolené otáčky jsou alespoň tak vysoké jako nejvyšší otáčky stroje naprázdno
- Tento nástroj nesmí používat osoby mladší 16 let
- **Použijte vhodné hledací přístroje k vyhledání skrytých přírodních vedení nebo přivzete místní dodavatelskou společnost** (kontakt s el. vedením může vést k požáru a elektrickému úderu; poškození plynového vedení může vést k explozi; proniknutí do vodovodního potrubí může způsobit věčné škody nebo elektrický úder)
- **Pokud provádíte práce, při kterých by nástroj mohl zasáhnout skrytá el. vedení nebo vlastní kabel, držte elektronářadí pouze na izolovaných uchopovacích plochách** (kontakt s vedením pod napětím přivádí napětí i na kovové díly stroje a vede k úderu elektrickým proudem)
- **Nepracovávajte žádný materiál obsahující azbest** (azbest je karcinogenní)
- **Učiňte ochranná opatření, pokud při práci může vzniknout zdraví škodlivý, hořlavý nebo výbušný prach** (některý prach je karcinogenní); noste ochrannou masku proti prachu a použijte, lze-li jej připojit, odsávání prachu či třísek
- Jestliže přírodní šňůra při práci podkódní nebo proříznete, nedotýkejte se jí a okamžitě ji vytáhněte ze síťové zásuvky
- Pila se nesmí používat, je-li její přírodní šňůra poškozená; nechte si je kvalifikovaným pracovníkem vyměnit
- Vždy zkontrolujte, zda je napájecí napětí stejné jako napětí uvedené na typovém štítku nástroje (nářadí určené k napájení 230V nebo 240V lze použít též v síti 220V)
- Jestliže se vrták neočekávaně zadře (a způsobí náhlou, nebezpečnou reakci), okamžitě nástroj vypněte
- Nezapomeňte, že při zadření vznikají určité síly (zejména při vrtání kovů); **vždy držte nářadí za pomocná rukojeť H ②** a pevně se postavte
- **Před seřizováním, měněním pilových listů a příslušenství, vždy vytáhněte zástrčku nářadí z el. sítě**

## OBSLUHA

- Zapnuto/vypnuto ④
  - Zajištění spínače při nepřetržitém vrtání ⑤
  - Regulátor rychlosti k hladkému startu ⑥
  - Kontrola maximální rychlosti ⑦
- Pomocí ovladače B ② se reguluje plynule maximální rychlost od minimální až po maximální

- Změna směru otáček ⑧
  - jestliže poloha doleva/doprava správně nezapadne, není možno zapnout vypínač A
  - ! **směr otáček se smí změnit pouze je-li nástroj zcela zastaven**
- Volba provozního režimu ⑨
  - pokud chcete odjistit spínač E, zmáčkněte tlačítko F
  - otáčejte spínačem E do požadovaného provozního režimu, dokud nezaklapne
  - ! **zařízení se spustí pouze tehdy, pokud je spínač E zajištěný**
    - 1 = normální vrtání/šroubování
    - 2 = příklepové vrtání
    - 3 = dlabání s rotujícím dlátem
    - 4 = dlabání s pevným dlátem
  - ! **provozní režim nastavujte pouze při vypnutém nástroji**
    - k vrtání do dřeva, kovu a umělé hmoty jakož i k šroubování použijte a příslušný adapter (viz: Použití)
    - mechanismus pro příklepové vrtání se zapíná lehkým tlakem na vrtáčku, jestliže se vrták dotkne obrobku
    - nejlepší výkony vrtání je možno dosáhnout lehkým tlakem na vrtáčku, který je nezbytný, aby se automatická spojka uvedla v činnost; větší tlak již nevede k lepšímu výsledku: SKIL NECHÁVÁ PRACOVAT NÁŘADÍ ZA VÁS
- Dlabání s rotujícím dlátem ⑩
  - ! **vypněte nářadí a odpojte zástrčku**
    - vyberte "rotující" režim dlabání
- Dlabání s pevným dlátem ⑪
  - ! **vypněte nářadí a odpojte zástrčku**
    - vyberte "rotující" režim dlabání
    - dejte dláto do požadované polohy
    - vyberte "pevný" režim dlabání
- Výměna hrotů ⑫
  - příslušenství před nasazením očistete a lehce promažte
  - odtáhněte zajišťovací objímku G a vložte příslušenství do sklíčidla SDS+ a otáčejte a přitlačujte jej, dokud nezapadne na své místo; příslušenství samočinně zaklapne
  - zaklapnutí příslušenství je třeba vyzkoušet
  - příslušenství vyjměte odtážením zajišťovací objímky G
  - ! **příslušenství SDS+ musí být volně pohyblivé, při chodu naprázdno vzniká rozkmit, který se při vrtání samočinně vystředí, a tudíž nemá žádný vliv na přesnost vrtání**
  - ! **nepoužívejte hroty/dláta s poškozeným dřikem**
- Bezpečnostní spojka
  - Zablokuje-li se příslušenství, pohyb se přeruší až k vřetenu (a způsobí drncivý hluk)
    - okamžitě nářadí vypněte
    - vyjměte zablokované příslušenství
    - nářadí znovu zapněte
- Seřizování hloubky vrtání ⑬

- Držení a vedení nástroje 14
  - **vždy držte nářadí za pomocná rukojeť H 2** (lze ji regulovat podle obrázku)
  - udržujte větrací štěrbinu volně
  - na nástroj příliš netlačte; nechte jej, aby pracoval za vás

## NÁVOD K POUŽITÍ

- Použijte správné vrtáky 15
  - ! **používejte pouze ostré hroty/dláta**
- Použijte příslušný adapter (SKIL příslušenství 2610395660) k vrtání do dřeva, kovu a umělé hmoty jakož i k šroubování 16
  - adapter před nasazením očistete a lehce promažte
  - odtáhněte zajišťovací objímku G 2 a vložte adapter do sklíčidla SDS+ a otáčejte a přitlačujte jej, dokud nezapadne na své místo; adapter samočinně zaklapne
  - zaklapnutí adapteru je třeba vyzkoušet
  - přepínačem E 2 nastavit na normální vrtání (**přepínat pouze v klidovém stavu**)
- Při vrtání v kovu
  - předvrtejte napřed malý otvor
  - vrták při práci občas naolejujte
- Při zašroubování šroubu na konci nebo na začátku nějakého dřeva by měla být předvrtána díra, aby se zamezilo rozštípnutí dřeva
- Vrtání dřeva bez vzniku třísek 17
- Bezprašné vrtání zdi 18
- Bezprašné vrtání stropů 19
- Vrtání dlaždic bez skluzu 20
- Další tipy najdete na [www.skileurope.com](http://www.skileurope.com)

## ZÁRUKA / ŽIVOTNÍ PROSTŘEDÍ

- Nástroj a přírodní šňůru udržujte čisté (zejména větrací štěrbinu)
  - ! **před čištěním odpojte zástrčku**
- Na tento výrobek značky SKIL platí záruka podle statutárních regulací dané země; poškození způsobené běžným opotřebením, přetížením a nesprávným použitím není zárukou kryto
- V případě urgencye zašlete nástroj **nerozebraný** spolu s potvrzením o nákupu své prodejce nebo nejbližšímu servisu značky SKIL (adresy a servisní schéma nástroje najdete na [www.skileurope.com](http://www.skileurope.com))
- **Elektrické nářadí, doplňky a balení nevyhazujte do komunálního odpadu** (jen pro státy EU)
  - podle evropské směrnice 2002/96/EG o nakládání s použitými elektrickými a elektronickými zařízeními a odpovídajících ustanovení právních předpisů jednotlivých zemí se použítá elektrická nářadí, musí sbírat odděleně od ostatního odpadu a podrobit ekologicky šetrnému recyklování
  - symbol 21 na to upozorňuje

TR

Delici/kırıcı

1765

## GİRİS

- Bu alet, beton, tuğla ve taş malzemede darbeli delme işleri için ve hafif keski işleri için geliştirilmiştir; tahta, metal, ve plastik malzemede delme ve vidalama işlerine belirli aksesuarı kullanın
- Bu aletin darbeli delme sistemi, betonda delme işlerinde bütün diğer darbeli matkapların performansını büyük ölçüde aşar
- Bu aletle bütün normal SDS+ aksesuarları kullanılabilir
- Bu kullanma kılavuzunu okuyun ve saklayın 3

## TEKNİK VERİLER 1

### ALET BİLEŞENLERİ 2

- A Açma/kapama ve hız kontrol anahtarı
- B Maksimum hızı ayar düğmesi
- C Anahtar kilitleme düğmesi
- D Dönüş yönü değiştirme için kol
- E Çalıştırma modunu seçme anahtarı
- F Kilit açma düğmesi
- G Sürgülü kovani
- H Yedek tutamak

## GÜVENLİK

### GENEL GÜVENLİK TALİMATI

**⚠ DİKKAT!** Bütün uyarıları ve talimat hükümlerini okuyun. Açıklanan uyarılara ve talimat hükümlerine uyulmadığı takdirde elektrik çarpmalarına, yangınlara ve/veya ağır yaralanmalara neden olunabilir. **Bütün uyarıları ve talimat hükümlerini ileride kullanmak üzere saklayın.** Uyarı ve talimat hükümlerinde kullanılan "elektrikli el aleti" kavramı, akım şebekesine bağlı çalışan aletleri (akım şebekesine bağlantısı olmayan aletler) kapsamaktadır.

### 1) ÇALIŞMA YERİ GÜVENLİĞİ

- Çalıştığınız yeri temiz ve düzenli tutun.** İşyerindeki düzensizlik veya yetersiz aydınlatma kazalara neden olabilir.
- Yanıcı sıvıların, gazların veya tozların bulunduğunu patlama tehlikesi olan yer ve mekânlarda aletinizle çalışmayın.** Elektrikli el aletleri, toz veya buharların tutuşmasına veya yanmasına neden olan kıvılcımlar çıkarırlar.
- Elektrikli el aletinizle çalışırken çocukları ve başkalarını çalışma alanınızın uzağında tutun.** Yakınızdaki bulunan kişiler dikkatinizi dağıtabilir ve bu da alet üzerindeki kontrolünüzü kaybetmenize neden olabilir.



## 2) ELEKTRİKSEL GÜVENLİK

- a) **Aletinizin bağlantı fişi prize uymalıdır. Fişi hiçbir şekilde değiştirmeyin. Koruyucu topraklamalı aletlerle adaptörlü fiş kullanmayın.** Değiştirilmemiş, orijinal fiş ve uygun prizler elektrik çarpmaya tehlikesini azaltır.
- b) **Borular, kalorifer tesisatı, ısıtıcılar ve buzdolapları gibi topraklanmış yüzeylerle bedensel temasa gelmekten kaçının.** Eğer bedeniniz topraklanacak olursa yüksek bir elektrik çarpmaya tehlikesi ortaya çıkar.
- c) **Aletinizi yağmur ve nemden koruyun.** Elektrikli el aletinin içine suyun sızması elektrik çarpmaya tehlikesini yükseltir.
- d) **Kabloyu kendi amacı dışında kullanmayın; örneğin aleti kablodan tutarak taşımayın, aleti kablo ile asmayın veya kablodan çekerek fişi prizden çıkarmayın. Kabloyu aşırı sıcaktan, yağlardan, keskin kenarlı cisimlerden veya aletin hareketli parçalarından uzak tutun.** Hasarlı veya dolaşmış kablo elektrik çarpmaya tehlikesini yükseltir.
- e) **Elektrikli el aletinizle açık havada çalışırken mutlaka açık havada kullanılmaya müsaadeli uzatma kablosu kullanın.** Açık havada kullanılmaya uygun ve müsaadeli uzatma kablosunun kullanılması elektrik çarpmaya tehlikesini azaltır.
- f) **Elektrikli el aletinin nemli ortamlarda çalıştırılması şartsa, mutlaka toprak kaçağı devre kesicisi kullanın.** Toprak kaçağı devre kesicisi kullanımı elektrik çarpmaya tehlikesini azaltır.

## 3) KİŞİLERİN GÜVENLİĞİ

- a) **Dikkatli olun, ne yaptığınıza dikkat edin ve elektrikli el aletinizle çalışırken makul hareket edin. Yorgunsanız, hup, ilaç veya alkol almışsanız aletinizi kullanmayın.** Aletinizi kullanırken bir anlık dikkatsizliğiniz ciddi yaralanmalara yol açabilir.
- b) **Daima kişisel korunma donanımları ve bir koruyucu gözlük kullanın.** Elektrikli el aletinin türü ve kullanımına uygun olarak kullanacağınız toz maskesi, kaymayan sağlam iş ayakkabıları, koruyucu kask veya koruyucu kulaklık gibi kişisel korunma donanımlarını kullanmanız yaralanma tehlikesini büyük ölçüde azaltır.
- c) **Aleti yanlışlıkla çalıştırmaktan kaçının. Akım ikmal sebekesine bağlamadan, elinize alıp taşımadan önce elektrikli el aletinin kapalı durumda olduğundan emin olun.** Elektrikli el aletini parmağınız şalter üzerinde dururken taşırsanız ve alet açikken fişi prize sokarsanız kazalara neden olabilirsiniz.
- d) **Aleti çalıştırmadan önce ayar aletlerini veya tornavidaları aletten uzaklaştırın.** Dönen alet parçasına temas halinde bulunan bir uç veya anahtar yaralanmalara neden olabilir.
- e) **Kendinize çok fazla güvenmeyin. Duruşunuzun güvenli olmasına dikkat edin ve daima dengenizi koruyun.** Bu sayede aletinizi beklenmedik durumlarda daha iyi kontrol edersiniz.

- f) **Uygun iş giysileri giyin. Çalışırken çok bol giysiler giymeyin ve takı takmayın. Saçlarınızı, giysilerinizi ve eldivenlerinizi aletin hareketli parçalarından uzak tutun.** Bol giysiler, takılar veya uzun saçlar aletin hareketli parçaları tarafından tutulabilir.
  - g) **Aletinize toz emme donanımı ve toz tutma donanımı takılabiliyorsa, bunların bağlı olup olmadığını ve doğru işlev görüp görmediklerini kontrol edin.** Toz emme donanımının kullanımı tozdan kaynaklanabilecek tehlikeleri azaltır.
- ## 4) ELEKTRİKLİ EL ALETLERİYLE DİKKATLİ ÇALIŞMAK VE ALETİ DOĞRU KULLANMAK
- a) **Aletinizi aşırı ölçüde zorlamayın. İşinize uygun elektrikli el aletini kullanın.** Uygun elektrikli el aleti ile belirtilen performans alanında daha iyi ve daha güvenli çalışırsınız.
  - b) **Açma/kapama şalteri arızalı olan elektrikli el aletini kullanmayın.** Açılıp kapanamayan bir elektrikli el aleti tehlikelidir ve onarılması gerekir.
  - c) **Aletin kendinde bir ayarlama yapmadan, aksesuarı değiştirmeden veya aleti elinizden bırakmadan önce fişi prizden çekin.** Bu önem, aletin kontrolünüz dışında ve istenmeden çalışmasını önler.
  - d) **Kullanım dışında iken elektrikli el aletinizi çocukların ulaşamayacağı bir yerde saklayın. Aleti kullanmayı bilmeyen veya bu güvenlik talimatını okumayan kişilerin aleti kullanmasına izin vermeyin.** Deneyimsiz kişiler tarafından kullanıldıkları takdirde elektrikli el aletleri tehlikeli olabilirler.
  - e) **Aletin bakımını özenle yapın. Aletin hareketli parçalarının kusursuz işlev görüp görmediklerini ve sıkışmadıklarını, parçaların kırık veya hasarlı olup olmadıklarını kontrol edin, aksi takdirde alet işlevini tam olarak yerine getiremez. Aletinizi kullanmadan önce hasarlı parçaları onartın.** Birçok iş kazası aletlerin kötü ve yetersiz bakımından kaynaklanır.
  - f) **Kesici uçları keskin ve temiz tutun.** İyi bakım görmüş kesici uçlar daha ender sıkışır ve daha iyi yönlendirilirler.
  - g) **Elektrikli el aletlerini, aksesuarı, uçları ve benzerlerini bu güvenlik talimatına uygun olarak kullanın. Aletinizi kullanırken çalışma koşullarını ve yaptığınız işi daima dikkate alın.** Elektrikli el aletlerini kendileri için öngörülen işlerin dışında kullanmak tehlikeli durumlara ortaya çıkmasına neden olabilir.
- ## 5) SERVİS
- a) **Aletinizi sadece uzman bir elemana ve orijinal yedek parçalar kullanılarak onartın.** Böylelikle aletin güvenliğini korumuş olursunuz.

## GÜVENLİK TALİMATI DELİCİ-KIRICI MATKAP İÇİN

- **Darbeli matkabı kullanırken kulak işitme koruyucusu kullanınız** (gürültü işitme duyunuza zarar verebilir)
- **Makinayı kullanırken ilave tutamayı kullanınız** (kontrolü kayberderseniz yaralanma olayı olabilir)
- **İş parçasının vida, çivi ve benzeri malzeme tarafından hasar görmemesi için dikkatli olun; çalışmaya başlamadan önce bunları çıkartın**

- Kabloyu her zaman aletin hareketli parçalarından uzak tutun
- **Çalıştığınız parçayı sabitleyin** (kısaçklarla ya da mengeneyle sabitlenmiş bir iş parçası elle tutulan işten daha güvenilirdir)
- Aletinizi bırakıp gitmeden önce mutlaka kapatın ve döner parçaların tam olarak durmasını bekleyin
- Tamamen kusursuz ve güvenli 16 Amp uzatma kabloları kullanın
- Elektriksel veya mekaniksel hatalı çalışma durumunda aleti hemen kapatın ve fişi çekin
- SKIL sadece orjinal aksesuarlar kullanıldığında aletin düzgün çalışmasını garanti eder
- Bu aletle kullanacağınız aksesuar edilen devir sayısı en azından aletin boştaki en yüksek devir sayısı kadar olmalıdır
- Bu alet 16 yaşının altındaki kişiler tarafından kullanılmalıdır
- **Görünmeyen elektrik kablolarını belirlemek için uygun bir tarama cihazı kullanın veya yerel akım ikmal şirketlerinden yardım isteyin** (elektrik kablolarıyla temas, yangın çıkmasına veya elektrik çarpmalarına neden olabilir; bir gaz borusu hasar görürse patlama tehlikesi ortaya çıkar; bir su borusunun delinmesi halinde maddi hasarlar meydana gelebilir veya elektrik çarpma tehlikesi ortaya çıkabilir)
- **Alet ucunun görünmeyen elektrik kablolarına veya kendi bağlantı kablosuna temas etme olasılığı olan işleri yaparken aleti sadece izolasyonlu tutamaklarından tutun** (akım ileten elektrik kablolarıyla temas aletin metal parçalarının da elektrik akımına maruz kalmasına ve elektrik çarpmalarına neden olabilir)
- **Bu aletle asbest içeren malzemeleri işlemeyin** (asbest kanserojen bir madde kabul edilir)
- **Çalışma sırasında sağlığa zararlı, yanıcı veya patlayıcı tozların çıkma olasılığı varsa gerekli koruyucu önlemleri alın** (bazı tozlar kanserojen sayılır); koruyucu toz maskesi takın ve eğer aletinize takılabiliyorsa bir toz/talaş emme tertibatı bağlayın
- Eğer cihazı kullanırken kordon hasar görür yada kesilirse, kordona kesinlikle dokunmayınız ve derhal fişi çekiniz
- Kordon hasarlı iken cihazı kesinlikle kullanmayınız; uzman bir kişi tarafından değiştiriniz
- Güç geriliminin, cihazın özellik plakasında belirtilen voltaj değeriyle aynı olduğunu sık sık kontrol edin (230V veya 240V aletler 220V kaynağa bağlanabilir)
- Eğer matkap beklenmedik şekilde sıkışırsa (ani tehlikeli bir tepkiye sebep olarak) aleti hemen kapatın
- Sıkışma yüzünden meydana gelebilecek güçlerin farkında olun (özellikle metal delerken); **daime yardımcı kulpu H ② kullanın** ve güvenli bir duruş alın
- **İstedığınız ayar değişikliklerini ve aksesuar değişikliklerini yapmadan önce mutlaka şebeke fişini prizden çekin**

## KULLANIM

- Açma/kapama ④
- Sürekli kullanım için anahtar kilitleme ⑤
- Düzgün başlama için hız kontrolü ⑥
- Maksimum hız kontrolü ⑦
- Ayar düğmesi B ② ile maksimum hız minimumdan maksimuma kadar kademesiz olarak ayarlanabilir
- Dönüş yönünü değiştirme ⑧
  - sol/sağ pozisyonları doğru olarak kilitleme yapmadığı takdirde, açma/kapama şalteri A çalışmaz
  - ! **dönüş yönünü sadece alet tamamen dururken değiştirin**
- Çalıştırma modunu seçme ⑨
  - E anahtarın kilidini açmak için F düğmesine basın
  - anahtarı kilitteninceye kadar istenen çalıştırma moduna getirin
  - ! **ancak E anahtar kilitlendiği zaman çalışmaya başlayın**
    - 1 = normal delme/vidalama
    - 2 = darbeli delme
    - 3 = döner iskarpela ile yontma
    - 4 = sabit iskarpela ile yontma
  - ! **çalıştırma modunu sadece alet kapalıyken seçin**
  - tahta, metal ve plastik malzemede delme ve vidalama ona ait adaptörü kullanın (bakınız: Uygulama)
  - darbeli delme mekanizması, matkap ucu iş parçasına temas ettikten sonra alete hafifçe bastırmak suretiyle devreye girer
  - en iyi delme sonucu, alete hafifçe bastırmak suretiyle elde edilir; bunun için yapılacak iş sadece otomatik kuplaja basmaktır; fazla bastırmakla delme sonucu düzelmez: SKIL ALETİ SİZİN İÇİN ÇALIŞTIRIR
- Döner iskarpela ile yontma ⑩
  - ! **aleti kapatın ve fişi prizden çekin**
  - “döner” yontma modunu seçin
- Sabit iskarpela ile yontma ⑪
  - ! **aleti kapatın ve fişi prizden çekin**
  - “döner” yontma modunu seçin
  - iskarpelayı istenen pozisyona getirin
  - “sabit” yontma modunu seçin
- Uçları değiştirme ⑫
  - aksesuarı takmadan önce temizleyin ve hafifçe yağılayın
  - sürgülü kovanını G geriye çekin ve aksesuarı SDS+ mandrene takın ve kavrayana kadar döndürün ve bastırın; aksesuar kendiliğinden kilitletir
  - aksesuarı çekerek kilitlenmeyi kontrol edin
  - sürgülü kovanını G geri çekerek aksesuarı çıkartın
  - ! **SDS+ aksesuar sürtünmesiz ve serbet hareket etmelidir; bunun sonucunda boşta çalışmadan konsantriklikte bir sapma olur, ancak delme sırasında bu dönme hareketi otomatik olarak merkezlenir; bunun delik hassaslığı ve tamlığı üzerinde bir etkisi olmaz**
  - ! **hasarlı uçları/keskileri kullanmayın**

- Emniyet debriyajı  
Matkap ucu sıkışacak veya takılacak olursa, emniyet debriyajı matkap milinin hareketini keser (takırdama sesi çıkar)  
- aleti hemen kapatın  
- takırdama sesi çıkartan aksesuarı çıkartın  
- aleti tekrar çalıştırın
- Delik derinliğinin ayarlanması ⑬
- Aletin tutulması ve kullanılması ⑭
  - **daime yardımcı kulpunu H ② kullanın** (gösterildiği gibi ayarlanabilir)
  - havalandırma yuvalarını kapatmayın
  - alete çok fazla baskı uygulamayın, bırakın alet sizin için çalışsın

## UYGULAMA

- Uygun uçları kullanın ⑮  
**! sadece keskin uçlar/keskiler kullanın**
- Tahta, metal ve plastik malzemede delme ve vidalama ona ait adaptörü (SKIL aksesuar 2610395660) kullanın ⑯
  - adaptörü takmadan önce temizleyin ve hafifçe yağlayın
  - sürgülü kovanını G ② geriye çekin ve adaptör SDS+ mandrene takın ve kavrıyana kadar döndürün ve bastırın; adaptör kendiliğinden kilitlenir
  - adaptörü çekerek kilitlenmeyi kontrol edin
  - şalteri E ② normal delme pozisyonuna getirin (sadece alet dururken)
- Metalde delik açarken
  - önce küçük bir kılavuz delik açın
  - matkap uçlarını belirli aralıklarla yağlayın
- Bir tahtanın baş kısmına veya sonuna bir vida vidalanırken, tahtanın yarılmasına için bir ön kılavuz delik açın
- Tahtada çatlıksız delme ⑰
- Duvarlarda tozsuz delme ⑱
- Tavanlarda tozsuz delme ⑱
- Fayans üzerinde kaydırmadan delme ⑳
- Daha fazla ipucu için [www.skileurope.com](http://www.skileurope.com) sitesini gezin

## GARANTİ / ÇEVRE

- Aleti ve kablosunu daima temiz tutun (özellikle havalandırma yuvalarını)  
**! temizlemeden önce, cihazın fişini prizden çekin**
- Bu SKIL ürünü yasal/ülkeye özel yönetmeliklere göre garantisi altındadır, normal aşınma ve yıpranmadan doğabilecek hasarlar, aşırı yüklenme veya yanlış kullanım garantisi kapsamında değildir
- Şikâyet durumunda, aleti ambalajıyla birlikte satın alma belgenizi ekleyerek satıcınıza veya en yakın SKIL servisine ulaştırın (adresler ve aletin servis şemaları [www.skileurope.com](http://www.skileurope.com) adresinde listelenmiştir)

- **Elektrikli aletlerini, aksesuarları ve ambalajları evdeki çöp kutusuna atmayınız** (sadece AB ülkeleri için)  
- kullanılmış elektrikli aletleri, elektrik ve elektronik eski cihazlar hakkındaki 2002/96/EC Avrupa yönergelerine göre ve bu yönergeler ulusal hukuk kurallarına göre uyarlanarak, ayrı olarak toplanmalı ve çevre şartlarına uygun bir şekilde tekrar değerlendirilmeye gönderilmelidir
- sembol ㉑ size bunu anımsatmalıdır

PL

## Młot udarowo-obrotowy

1765

## WSTĘP

- Wiertarka przeznaczona jest do wiercenia udarowego w betonie, cegle i kamieniu oraz do lekkiego dłutowania; do wiercenia w drewnie, metalu i tworzywach sztucznych oraz do wkręcania stosować odpowiedni osprzęt
- Zastosowany system udarowy pozwala na osiągnięcie znacząco większych wydajności wiercenia w betonie w porównaniu do wiertarek udarowo-obrotowych
- Elektronarzędzie przystosowane jest do mocowania narzędzi roboczych z chwytem wykonanym w standardzie SDS+
- Przeczytać i zachować niniejszą instrukcję obsługi ③

## PARAMETRY TECHNICZNE ①

### ELEMENTY NARZĘDZIA ②

- A** Przycisk włącznik/wyłącznik i regulator prędkości
- B** Pokrętko do kontrola maksymalnej prędkości obrotowej
- C** Przycisk blokady włącznika
- D** Dźwignia zmiany kierunku obrotów
- E** Przelącznik wyboru trybu działania
- F** Przycisk zwolnienia blokady
- G** Tuleja blokująca
- H** Uchwyt dodatkowy

## BEZPIECZEŃSTWO

### OGÓLNE PRZEPISY BEZPIECZEŃSTWA

**⚠ UWAGA! Należy przeczytać wszystkie wskazówki i przepisy.** Błędy w przestrzeganiu poniższych wskazówek mogą spowodować porażenie prądem, pożar i/lub ciężkie obrażenia ciała. **Należy starannie przechowywać wszystkie przepisy i wskazówki bezpieczeństwa dla dalszego zastosowania.** Użyte w poniższym tekście pojęcie "elektronarzędzie" odnosi się do elektronarzędzi zasilanych energią elektryczną z sieci (z przewodem zasilającym).

## 1) BEZPIECZEŃSTWO MIEJSCA PRACY

- a) **Miejsce pracy należy utrzymywać w czystości i dobrze oświetlone.** Nieporządek lub nie oświetlone miejsce pracy mogą doprowadzić do wypadków.
- b) **Nie należy pracować tym narzędziem w otoczeniu zagrożonym wybuchem, w którym znajdują się np. łatwopalne ciecze, gazy lub pyły.** Elektronarzędzia wytwarzają iskry, które mogą podpałić ten pył lub pary.
- c) **Elektronarzędzie trzymać podczas pracy z daleka od dzieci i innych osób.** Przy nieuwadze można stracić kontrolę nad narzędziem.

## 2) BEZPIECZEŃSTWO ELEKTRYCZNE

- a) **Wtyczka urządzenia musi pasować do gniazda. Nie wolno modyfikować wtyczki w jakikolwiek sposób. Nie należy używać wtyczek adapterowych razem z uziemnionymi narzędziami.** Niezmienione wtyczki i pasujące gniazda zmniejszają ryzyko porażenia prądem.
- b) **Należy unikać kontaktu z uziemnionymi powierzchniami jak rury, grzejniki, piece i lodówki.** Istnieje zwiększone ryzyko porażenia prądem, gdy Państwa ciało jest uziemnione.
- c) **Urządzenia należy przechowywać zabezpieczone przed deszczem i wilgocią.** Wniknięcie wody do elektronarzędzia podwyższa ryzyko porażenia prądem.
- d) **Nigdy nie należy używać kabla do innych czynności. Nigdy nie używać kabla do noszenia urządzenia za kabel, zawieszenia lub do wyciągania wtyczki z gniazda. Kabel należy trzymać z daleka od wysokich temperatur, oleju, ostrych krawędzi lub ruchomych części urządzenia.** Uszkodzone lub poplątane kable zwiększają ryzyko porażenia prądem.
- e) **W przypadku, kiedy elektronarzędziem pracuje się na świeżym powietrzu należy używać kabla przedłużającego, który dopuszczony jest do używania na zewnątrz.** Użycie dopuszczonego do używania na zewnątrz kabla przedłużającego zmniejsza ryzyko porażenia prądem.
- f) **Jeżeli nie da się uniknąć zastosowania elektronarzędzia w wilgotnym otoczeniu, należy użyć wyłącznika ochronnego różnicowo-prądowego.** Zastosowanie wyłącznika ochronnego różnicowo-prądowego zmniejsza ryzyko porażenia prądem.

## 3) BEZPIECZEŃSTWO OSÓB

- a) **Należy być uważnym, uważać na to co się robi i pracę elektronarzędziem rozpoczynać z rozsądkiem. Nie należy używać urządzenia gdy jest się zmęczonym lub pod wpływem narkotyków, alkoholu lub lekarstw.** Moment nieuwagi podczas używania urządzenia może doprowadzić do poważnych urażeń ciała.
- b) **Należy nosić osobiste wyposażenie ochronne i zawsze okulary ochronne.** Noszenie osobistego wyposażenia ochronnego jak maska przeciwpyłowa, nie ślizgające się buty robocze, hełm ochronny lub ochrona słuchu, w zależności od rodzaju i zastosowania elektronarzędzia zmniejsza ryzyko obrażeń ciała.

- c) **Należy unikać niezamierzonego uruchomienia narzędzia. Przed włożeniem wtyczki do gniazdka, a także przed podniesieniem lub przeniesieniem elektronarzędzia, należy upewnić się, że elektronarzędzie jest wyłączone.** Trzymanie palca na wyłączniku podczas przenoszenia elektronarzędzia lub podłączenie do prądu włączonego narzędzia, może stać się przyczyną wypadków.
- d) **Zanim urządzenie zostanie włączone należy usunąć narzędzia nastawcze lub klucze.** Narzędzie lub klucz, które znajdują się w ruchomych częściach urządzenia mogą doprowadzić do obrażeń ciała.
- e) **Nie należy przeceniać swoich możliwości. Należy dbać o bezpieczną pozycję pracy i zawsze utrzymywać równowagę.** Przez to możliwa jest lepsza kontrola urządzenia w nieprzewidzianych sytuacjach.
- f) **Należy nosić odpowiednie ubranie. Nie należy nosić luźnego ubrania lub biżuterii. Włosy, ubranie i rękawice należy trzymać z daleka od ruchomych elementów.** Luźne ubranie, biżuteria lub długie włosy mogą zostać pociągnięte przez poruszające się części.
- g) **W przypadku, kiedy możliwe jest zamontowanie urządzeń odsysających lub podchwytyjących należy upewnić się, czy są one właściwie podłączone i prawidłowo użyte.** Użycie urządzenia odsysającego pył może zmniejszyć zagrożenie pyłami.

## 4) UWAŻNE OBCOWANIE ORAZ UŻYCIE ELEKTRONARZĘDZIA

- a) **Nie należy przeciążać urządzenia. Do pracy używać należy elektronarzędzia, które jest do tego przewidziane.** Odpowiednim narzędziem pracuje się lepiej i bezpieczniej w podanym zakresie sprawności.
- b) **Nie należy używać elektronarzędzia, którego włącznik/wyłącznik jest uszkodzony.** Elektronarzędzie, którego nie można włączyć lub wyłączyć jest niebezpieczne i musi zostać naprawione.
- c) **Przed rozpoczęciem urządzenia, wymiany osprzętu lub odłożeniem narzędzia należy wyciągnąć wtyczkę z gniazda.** Ten środek ostrożności zapobiega niezamierzonemu włączeniu się urządzenia.
- d) **Nie używane elektronarzędzia należy przechowywać poza zasięgiem dzieci. Nie należy udostępniać narzędzia osobom, które jego nie umieją lub nie przeczytały tych przepisów.** Używane przez niedoświadczonych osoby elektronarzędzia są niebezpieczne.
- e) **Urządzenie należy starannie konserwować. Należy kontrolować, czy ruchome części urządzenia funkcjonują bez zarzutu i nie są zablokowane, czy części nie są pęknięte lub uszkodzone, co mogłoby mieć wpływ na prawidłowe funkcjonowanie urządzenia. Uszkodzone narzędzie należy przed użyciem urządzenia oddać do naprawy.** Wiele wypadków spowodowanych jest przez niewłaściwą konserwację elektronarzędzi.

- f) **Osprzęt tnący należy utrzymywać ostry i czysty.**  
Starannie pielęgnowany osprzęt tnący z ostrymi krawędziami tnącymi blokuje się rzadziej i łatwiej się używa.
- g) **Elektronarzędzia, osprzęt, narzędzia itd. należy używać odpowiednio do tych przepisów. Uwzględnić należy przy tym warunki pracy i czynność do wykonania.** Użycie elektronarzędzi do innych niż przewidziane prace może doprowadzić do niebezpiecznych sytuacji.
- 5) **SERWIS**
- a) **Naprawę urządzenia należy zlecić jedynie kwalifikowanemu fachowcowi i przy użyciu oryginalnych części zamiennych.** To gwarantuje, że bezpieczeństwo użytkowania zostanie zachowane.

## PRZEPISY BEZPIECZEŃSTWA DO MŁOTA

- **Używać nasuszników ochronnych podczas wiertarki udarowej** (hałas może spowodować uszkodzenie słuchu)
- **Używać uchwyt pomocniczy dostarczonej z narzędziem** (utrata kontroli nad narzędziem może spowodować wypadek)
- Uwaga na gwoździe, śruby i inne twarde przedmioty; przed przystąpieniem do obróbki powinny być usunięte z obrabianego przedmiotu; usunąć je przed rozpoczęciem pracy
- Kabel zasilający powinien stale znajdować się w bezpiecznej odległości od wirującej części elektronarzędzia
- **Należy zabezpieczyć miejsce przeznaczone do zszycia** (miejsce przeznaczone do zszycia umieszczone w zaciskach lub imadle jest utrzymywane w miejscu bezpieczniejszej niż w ręku)
- Przed pozostawieniem elektronarzędzia należy odłączyć zasilanie elektryczne i odczekać do całkowitego zatrzymania się wrzeciona
- W przypadku korzystania z kabla przedłużającego należy zwrócić uwagę, aby był maksymalnie nawinięty na bęben oraz był przystosowany do przewodzenia prądu o natężeniu przynajmniej 16 A
- W przypadku wadliwego działania mechanicznych lub elektrycznych elementów urządzenia, należy bezzwocznie odłączyć narzędzie i wyjąć wtyczkę
- SKIL może zagwarantować bezawaryjne działanie narzędzia tylko przy korzystaniu z oryginalnego wyposażenia dodatkowego
- Używać tylko akcesoriów, których dopuszczalna prędkość obrotowa jest co najmniej tak wysoka jak najwyższa prędkość obrotowa urządzenia w biegu bez obciążenia
- Narzędzie nie powinny używać dzieci poniżej 16 roku życia

- **Aby wykryć ukryte przewody zasilające należy używać stosownych detektorów lub porozumieć się z miejscowymi zakładami energetycznymi** (kontakt z przewodami elektrycznymi może doprowadzić do pożaru i porażenia elektrycznego; uszkodzenie przewodu gazowego może doprowadzić do wybuchu; uszkodzenie przewodów instalacji wodociągowej powoduje szkody rzeczowe i może spowodować porażenie elektryczne)
- **Elektronarzędzie należy dotykać jedynie przy izolowanych powierzchniach uchwytu, gdy przeprowadza się prace, przy których używane narzędzie może natrafić na ukryte przewody elektryczne lub na wyciągnięty kabel zasilający** (kontakt z przewodem znajdującym się pod napięciem doprowadza również do tego, że metalowe części elektronarzędzia znajdują się również pod napięciem i doprowadzi do porażenia prądem)
- **Nie należy obrabiać materiału zawierającego azbest** (azbest jest rakotwórczy)
- **W przypadku, gdy podczas pracy elektronarzędzia powstają szkodliwe dla zdrowia, łatwopalne lub wybuchowe pyły, należy zastosować odpowiednie środki ochronne** (na przykład niektóre pyły są rakotwórcze); zaleca się używanie maski przeciwpyłowej, a po zakończeniu pracy odsysanie pyłu i wiórow
- W przypadku uszkodzenia lub przecięcia przewodu podczas pracy, nie wolno go dotykać, tylko należy natychmiast wyciągnąć z gniazdka wtyczkę
- Pod żadnym pozorem nie wolno korzystać z narzędzia z uszkodzonym przewodem; zleć jego wymianę wykwalifikowanej osobie
- Każdorazowo sprawdzać, czy napięcie zasilania jest zgodne z napięciem podanym na tabliczce znamionowej urządzenia (narzędzia na napięcie znamionowe 230V lub 240V zasilają można także napięciem 220V)
- Natychmiast wyłączyć narzędzie, gdy wiertło niespodziewanie ulegnie zakleszczeniu (wywołując nagłą, niebezpieczną reakcję)
- Należy zdawać sobie sprawę z sił, jakie powstają w wyniku zakleszczenia (szczególnie podczas wiercenia w metalu); **należy zawsze korzystać z pomocniczy uchwytu H ②** i zachowywać bezpieczną odległość
- **Przed przystąpieniem do wykonywania jakichkolwiek czynności przy narzędziu, w czasie przerw w pracy jak również po jej zakończeniu wyjąć wtyczkę z gniazda sieciowego**

## UŻYTKOWANIE

- Włącznik/wyłącznik ④
- Blokada włącznika dla pracy ciągłej ⑤
- Regulacja prędkości dla płynnego startu ⑥
- Kontrola maksymalnej prędkości obrotowej ⑦
- Pokrętko B ② umożliwia dokonanie bezstopniowego wyboru maksymalnej prędkości obrotowej od wartości minimalnych do maksymalnych

- Zmiana kierunku obrotów <sup>(8)</sup>
  - w przypadku niewłaściwej pozycji przełącznika w lewo/prawo przycisk włącznika/wyłącznika A jest zablokowany
- ! **kierunek obrotów zmieniać tylko wtedy, gdy narzędzie jest całkowicie zatrzymane**
- Wybór trybu działania <sup>(9)</sup>
  - nacisnąć przycisk F, aby odblokować przełącznik E
  - przekręcić przełącznik E na odpowiedni tryb pracy, do momentu jego zatrzaśnięcia
- ! **pracę rozpoczynać tylko, jeśli przełącznik E jest zablokowany**
  - 1 = normalne wiercenie/wkręcanie
  - 2 = wiercenie udarowe
  - 3 = dłutowanie z wirującym dłutem
  - 4 = dłutowanie z ustaloną pozycją dłuta
- ! **tryb pracy wybieraj tylko przy wyłączonym urządzeniu**
  - do wiercenia w drewnie, metalu i tworzywach sztucznych oraz do wkręcania stosować odpowiedniego adaptera (patrz Wskazówki użytkownika)
  - mechanizm udarowy uruchamiany jest w momencie wywarcia niewielkiego nacisku na wiertło przy jego zetknięciu się z powierzchnią obrabianego materiału
  - optymalną wydajność wiercenia osiąga się poprzez wywieranie tylko nieznacznego nacisku na wiertło, który wymagany jest do załączenia sprzęgła; zwiększenie nacisku nie zwiększa wydajności wiercenia: SKIL SAM WYKONUJE PRACĘ
- Dłutowanie z wirującym dłutem <sup>(10)</sup>
  - ! **wyłącz narzędzie i wyciągnij wtyczkę z gniazdka**
    - wybierz tryb dłutowania "wirującego"
- Dłutowanie z ustaloną pozycją dłuta <sup>(11)</sup>
  - ! **wyłącz narzędzie i wyciągnij wtyczkę z gniazdka**
    - wybierz tryb dłutowania "wirującego"
    - umieść dłuto w żądanej pozycji
    - wybierz tryb dłutowania z ustaloną pozycją dłuta
- Wymiana wiertła <sup>(12)</sup>
  - przed umieszczeniem osprzętu wyczyść go i lekko nasmaruj
  - pociągnąć do siebie tuleję blokującą G i umieść osprzętu w uchwycie SDS+ jednocześnie obracając go i wciskając aż do zetknięcia; osprzęt zostanie automatycznie zablokowany
  - pociągnąć osprzęt, aby sprawdzić czy jest prawidłowo zablokowany
  - wysunąć osprzęt pociągając tuleję blokującą G do siebie
- ! **zgodnie z zasadą mocowania SDS+ osprzęt po wsunięciu do uchwytu powinno mieć możliwość niewielkiego poruszania się; w skutek tego w biegu luzem powstaje bicie promieniowe, które zanika w momencie rozpoczęcia wiercenia i wiertło centruje się samoczynnie; nie zmniejsza to w żadnym stopniu dokładności wierczonego otworu**

! **nie używać wiertła/dłut ze zniszczonym uchwytem**

- Sprzęgło bezpieczeństwa
  - W przypadku zablokowania się SDS+ osprzęt w obrabianym materiale zadziała sprzęgło odłączając napęd od wrzeciona (wywołując specyficzny hałas)
    - natychmiast wyłączyć elektronarzędzie
    - wysunąć zaklinowany osprzęt
    - elektronarzędzie uruchomić ponownie
- Ustawienie głębokości wiercenia <sup>(13)</sup>
- Utrzymywanie i prowadzenie narzędzia <sup>(14)</sup>
  - **należy zawsze korzystać z pomocniczego uchwytu H <sup>(2)</sup>** (istnieje możliwość regulacji, tak jak przedstawiono na rysunku)
  - szczeliny wentylacyjne powinny być odkryte
  - nie przyciskać urządzenia zbyt silnie; pozwól mu pracować dla ciebie

## WSKAZÓWKI UŻYTKOWANIA

- Używać właściwych wiertła <sup>(15)</sup>
  - ! **używać tylko ostrych wiertła/dłut**
- Do wiercenia w drewnie, metalu i plastiku oraz wkręcania używaj odpowiedniego adaptera (osprzęt SKIL 2610395660) <sup>(16)</sup>
  - przed umieszczeniem adaptera wyczyść go i lekko nasmaruj
  - pociągnąć do siebie tuleję blokującą G <sup>(2)</sup> i umieść adapter w uchwycie SDS+ jednocześnie obracając go i wciskając aż do zetknięcia; adapter zostanie automatycznie zablokowany
  - pociągnąć adapter, aby sprawdzić czy jest prawidłowo zablokowany
  - przełącznik E <sup>(2)</sup> na normalne wiercenie (**włącz tylko wówczas, gdy narzędzie jest wyłączone**)
- Wiercenie otworów w metalach, w skład których wchodzi żelazo
  - podczas wiercenia dużych otworów należy wstępnie wywiercić mały otwór
  - od czasu do czasu naoliwić wiertło
- W celu uniknięcia rozwarstwiania przedmiotów drewnianych przy wkręcaniu wkrętów na brzegu należy otwór odpowiednio nawiercić
- Przewiercanie przedmiotów drewnianych bez wyrwania krawędzi <sup>(17)</sup>
- Bezpyłowe wiercenie w ścianie <sup>(18)</sup>
- Bezpyłowe wiercenie w suficie <sup>(19)</sup>
- Wiercenie bez poślizgu w płytkach ceramicznych <sup>(20)</sup>
- Więcej wskazówek można znaleźć pod adresem [www.skileurope.com](http://www.skileurope.com)

## GWARANCJA / ŚRODOWISKO

- Zawsze dbać o czystość narzędzia i przewodu zasilającego (a szczególnie otworów wentylacyjnych)
  - ! **przed przystąpieniem do czyszczenia należy wyjąć wtyk z gniazda sieciowego**

- Niniejszy wyrób marki SKIL podlega ustawowej gwarancji/zgodnie z przepisami krajowymi; uszkodzenia wynikłe wskutek normalnego zużycia, przeciążenia lub nieprawidłowej obsługi nie są objęte gwarancją
- W razie reklamacji, prosimy o przysłanie **nierozmontowanego** urządzenia wraz z dowodem zakupu do dostawcy lub najbliższego serwisu firmy SKIL (adresy oraz diagram serwisowy urządzenia znajdują się na stronach [www.skileurope.com](http://www.skileurope.com))
- **Nie wyrzucaj elektronarzędzi, akcesoriów i opakowania wraz z odpadami z gospodarstwa domowego** (dotyczy tylko państw UE)
  - zgodnie z Europejską Dyrektywą 2002/96/WE w sprawie zużytego sprzętu elektrotechnicznego i elektronicznego oraz dostosowaniem jej do prawa krajowego, zużyte elektronarzędzia należy posegregować i zutylizować w sposób przyjazny dla środowiska
  - w przypadku potrzeby pozbycia się narzędzia, akcesoriów i opakowania - symbol ② przypomni Ci o tym

RU

## Перфоратор

1765

### ВВЕДЕНИЕ

- Этот инструмент предназначен для сверления с ударом по бетону, кирпичу и каменной кладке, а также для легких долбильных работ; для сверления по дереву, металлу и пластику, а также для завинчивания с использованием специальных принадлежностей
- Ударная система данного инструмента при сверлении бетона превосходит по своим параметрам любые традиционные перфораторные дрели
- Этот инструмент предназначен для использования в сочетании с любыми стандартными принадлежностями фирмы SDS+
- Прочитайте и сохраните с данной инструкцией ③

### ТЕХНИЧЕСКИЕ ДАННЫЕ ①

#### ДЕТАЛИ ИНСТРУМЕНТА ②

- A Курок-выключатель вкл/выкл и регулятор скорости
- B Колесико регулятора максимальной скорости
- C Кнопка для запирания выключателя
- D Рычаг направления вращения
- E Выключатель для выбора режима работы
- F Кнопка деблокировки
- G Фиксаторную втулку
- H Вспомогательная ручка

## БЕЗОПАСНОСТЬ

### ОСНОВНЫЕ ИНСТРУКЦИИ ПО ТЕХНИКЕ БЕЗОПАСНОСТИ

**⚠ ВНИМАНИЕ!** Прочтите все указания и инструкции по технике безопасности. Упущения, допущенные при соблюдении указаний и инструкций по технике безопасности, могут стать причиной электрического поражения, пожара и тяжелых травм. **Сохраняйте эти инструкции и указания для будущего использования.** Использованное в настоящих инструкциях и указаниях понятие “электроинструмент” распространяется на электроинструмент с питанием от сети (с кабелем питания от электросети).

#### 1) БЕЗОПАСНОСТЬ РАБОЧЕГО МЕСТА

- a) **Соблюдайте чистоту и поддерживайте надлежащую освещенность на рабочем месте.** Беспорядок на рабочем месте или его плохое освещение могут привести к несчастным случаям.
- b) **Не используйте с электроинструментом во взрывоопасной среде, т.е. в непосредственной близости от легковоспламеняющихся жидкостей, газов или пыли.** В процессе работы электроинструмент искрит и искры могут воспламенить газы или пыль.
- c) **При работе с электроинструментом не допускайте детей или посторонних на Ваше рабочее место.** Отвлечение Вашего внимания может привести к потере контроля над работой инструмента.

#### 2) ЭЛЕКТРИЧЕСКАЯ БЕЗОПАСНОСТЬ

- a) **Штепсельная вилка кабеля питания электроинструмента должна соответствовать розетке электросети. Не вносите никаких изменений в конструкцию вилки. Не используйте адаптеры для электроинструмента с защитным заземлением.** Заводские штепсельные вилки и соответствующие им сетевые розетки существенно снижают вероятность электрошока.
- b) **Избегайте механических контактов с такими заземленными поверхностями, как трубопроводы, системы отопления, плиты и холодильники.** При соприкосновении человека с заземленными предметами во время работы инструментом вероятность электрошока существенно возрастает.
- c) **Оберегайте электроинструмент от воздействия дождя и влаги.** Попадание воды в электроинструмент повышает вероятность электрического удара.

- d) **Используйте кабель строго по назначению.** Не допускается тянуть и передвигать электроинструмент за кабель или использовать кабель для вытягивания вилки из розетки. **Оберегайте кабель инструмента от воздействия высоких температур, масла, острых кромок или движущихся частей электроинструмента.** Поврежденный или спутанный кабель повышает возможность электрического удара.
- e) **При работе на улице используйте удлинитель, предназначенный для работы вне помещения.** Использование такого удлинителя снижает вероятность электрического удара.
- f) **Если невозможно избежать применения электроинструмента в сыром помещении, то устанавливайте устройство защиты от утечки в землю.** Использование устройства защиты от утечки в землю снижает риск электрического поражения.
- 3) ЛИЧНАЯ БЕЗОПАСНОСТЬ**
- a) **Будьте внимательны, следите за тем, что Вы делаете и выполняйте работу обдуманно.** Не пользуйтесь электроинструментом, если Вы устали или находитесь под воздействием транквилизаторов, алкоголя или медицинских препаратов. Секундная потеря концентрации в работе с электроинструментом может привести к серьезным травмам.
- b) **Используйте средства индивидуальной защиты. Защитные очки обязательны.** Средства индивидуальной защиты, такие как противопылевой респиратор, нескользящая защитная обувь, шлем-каска, средства защиты органов слуха применяются в соответствующих условиях работы и минимизируют возможность получения травм.
- c) **Предотвращайте непреднамеренное включение электроинструмента. Перед подключением электроинструмента к электропитанию убедитесь в выключенном состоянии электроинструмента.** Если Вы при транспортировке электроинструмента держите палец на выключателе или включенный электроинструмент подключаете к сети питания, то это может привести к несчастному случаю.
- d) **Во избежание травм перед включением инструмента удалите регулировочный или гаечный ключ из вращающейся части инструмента.**
- e) **Не переоценивайте свои возможности.** Твердо стойте на ногах и удерживайте равновесие. В таком положении вы сможете лучше контролировать инструмент в неожиданных ситуациях.
- f) **Используйте подходящую рабочую одежду.** Не надевайте свободную одежду и украшения. Волосы, одежда и перчатки должны находиться подальше от движущихся частей электроинструмента. Свободная одежда, украшения или длинные волосы легко могут попасть в движущиеся части электроинструмента.
- g) **При наличии пылеотсасывающих и пылесборных приспособлений убедитесь в том, что они подсоединены и используются надлежащим образом.** Применение пылеотсоса может снизить опасности, создаваемые пылью.
- 4) ЭКСПЛУАТАЦИЯ И УХОД ЗА ЭЛЕКТРОИНСТРУМЕНТОМ**
- a) **Не перегружайте инструмент. Используйте тот инструмент, который предназначен для данной работы.** С подходящим инструментом Вы выполните работу лучше и надежней, используя весь диапазон его возможностей.
- b) **Не используйте инструмент с неисправным выключателем.** Инструмент с неисправным выключателем опасен и подлежит ремонту.
- c) **Выньте вилку из сетевой розетки перед тем, как приступить к настройке инструмента, замене принадлежностей или его упаковке.** Данная мера предосторожности предотвращает случайное включение инструмента.
- d) **Храните неиспользуемый электроинструмент в недоступном для детей месте и не позволяйте использовать его лицам, не умеющим с ним обращаться или не ознакомленным с инструкцией по эксплуатации.** Электроинструменты представляют собой опасность в руках неопытных пользователей.
- e) **Электроинструмент требует надлежащего ухода.** Проверяйте безупречность функции подвижных частей, лёгкость их хода, целостность всех частей и отсутствие повреждений, которые могут негативно сказаться на работе инструмента. При обнаружении повреждений сдайте инструмент в ремонт. Большое число несчастных случаев связано с неудовлетворительным уходом за электроинструментом.
- f) **Резущие части инструмента необходимо поддерживать в заточенном и чистом состоянии.** При надлежащем уходе за режущими принадлежностями с острыми кромками они режут заклиниваются и инструмент лучше поддается контролю.
- g) **Используйте электроинструмент, принадлежности, биты и т.д. в соответствии с данными инструкциями, исходя из особенностей условий и характера выполняемой работы.** Использование электроинструмента не по назначению может привести к опасным последствиям.



## 5) СЕРВИСНОЕ ОБСЛУЖИВАНИЕ

- a) **Передавайте инструмент на сервисное обслуживание только квалифицированному персоналу, использующему только подлинные запасные части.** Это обеспечит сохранение безопасности электроинструмента.

### УКАЗАНИЯ ПО БЕЗОПАСНОСТИ ДИЯ РАБОТЕ ПЕРФОРАТОРОМ

- **В работе с ударной дрелью используйте средства защиты слуха** (воздействие шума может привести к потере слуха)
- **Используйте вспомогательные рукоятки, прилагаемые к инструменту** (потеря контроля над инструментом может привести к травмам)
- Избегайте повреждений, которые могут быть вызваны винтами, гвоздями и прочими элементами, находящимися в обрабатываемом предмете; перед началом работы их нужно удалить
- Следите за тем, чтобы сетевой шнур не находился рядом с движущимися деталями инструмента
- **Закрепите обрабатываемую деталь** (обрабатываемая деталь, зафиксированная посредством зажимных устройств или тисков, закрепляется лучше, нежели при помощи рук)
- Перед тем как положить инструмент, выключите двигатель и убедитесь в том, что все движущиеся детали полностью остановились
- Используйте полностью размотанные и безопасные удлинители, рассчитанные на ток не менее 16 А
- В случае любой электрической или механической неисправности немедленно выключите инструмент и выньте вилку из розетки
- SKIL обеспечивает надёжную работу инструмента только при использовании соответствующих приспособлений
- Использовать только принадлежности, предельно допустимая скорость вращения которых не меньше, чем максимальная скорость вращения прибора на холостом ходу
- Инструмент нельзя использовать лицам в возрасте до 16 лет
- **Используйте подходящие металлодетекторы для нахождения скрытых проводов снабжения или наведите справки в местных предприятиях коммунального хозяйства** (контакт с электропроводкой может привести к пожару и электрическому удару; повреждение газопровода может привести к взрыву; повреждение водопровода может привести к повреждению имущества или вызвать электрический удар)

- **Держите электроинструмент только за изолированные поверхности рукояток, если Вы выполняете работы, при которых рабочий инструмент может попасть на скрытую электропроводку или на собственный шнур подключения питания** (контакт с токоведущим проводом ставит под напряжение также металлические части электроинструмента и ведёт к поражению электрическим током)
- **Не обрабатывайте материалы с содержанием асбеста** (асбест считается канцерогеном)
- **Примите меры защиты, если во время работы возможно возникновение вредной для здоровья, горячей или взрывоопасной пыли** (некоторые виды пыли считаются канцерогенными); пользуйтесь противопылевым респиратором и применяйте отсос пыли/стружки при наличии возможности присоединения
- При повреждении или разрезании сетевого шнура во время работы не прикасайтесь к нему, и немедленно выньте вилку из розетки
- **Никогда не используйте инструмент, если сетевой шнур повреждён; необходимо, чтобы квалифицированный специалист заменил сетевой шнур**
- **Обязательно убедитесь, что напряжение питания соответствует напряжению, указанному на фирменном штепселе инструмента** (инструменты, рассчитанные на напряжение 230 В или 240 В, можно подключать к питанию 220 В)
- Если сверло неожиданно заело (что приводит к непредсказуемому и опасному поведению инструмента), немедленно выключите инструмент
- Помните об усиллии, которое оказывается на инструмент при заедании сверла (особенно при работе по металлам); **обязательно используйте боковую рукоятку H ②** и займите устойчивое положение
- **Перед регулировкой или сменой принадлежностей обязательно выньте вилку из сетевой розетки**

## ИСПОЛЬЗОВАНИЕ

- Включение/выключение ④
  - Запирание выключателя для продолжительного использования ⑤
  - Чувствительный курок выключателя (реагирует на силу нажатия изменением скорости) ⑥
  - Регулировка максимальной скорости ⑦  
Маховиком В ② максимальную скорость вращения можно плавно отрегулировать от минимального до максимального
  - Изменение направления вращения ⑧
    - выключатель вкл/выкл А не работает, если не установлен в положение лево/право
- ! изменять направление вращения следует только в момент полной остановки инструмента**

- Выбор режима работы ⑨
  - нажмите на кнопку F, чтобы разблокировать выключатель E
  - поверните выключатель E в нужный режим до щелчка
- ! **приступайте к работе только после блокировки выключателя E**
  - 1 = нормальное сверление/завинчивание винтов
  - 2 = молоткового сверление
  - 3 = работа с вращающимся долотом
  - 4 = работа с фиксированным долотом
- ! **выберите режим работы только при полном выключении инструмента**
  - для сверления по дереву, металлу и пластику, а также для завинчивания следует использовать соответствующий переходник (см. Советы по использованию)
  - ударный механизм включается путем легкого нажатия на инструмент, когда кончик сверла касается заготовки
  - наилучшие результаты при ударном сверлении достигаются только при легком нажиме на инструмент, необходимом для удержания автоматической муфты во включенном состоянии; при усилении нажима на инструмент производительность сверления не увеличивается: ИНСТРУМЕНТ SKIL РАБОТАЕТ ЗА ВАС
- Работа с вращающимся долотом ⑩
  - ! **выключите инструмент и отсоедините сетевой шнур**
    - выберите режим работы с вращающимся долотом
- Работа с вращающимся долотом ⑪
  - ! **выключите инструмент и отсоедините сетевой шнур**
    - выберите режим работы с вращающимся долотом
    - поместите долото в нужное положение
    - выберите режим работы с фиксированным долотом
- Сменные биты ⑫
  - перед установкой очистите и слегка смажьте принадлежность
  - оттяните назад фиксаторную втулку G и установите необходимый принадлежности в патрон SDS+, повернув его и надавив на него; фиксация принадлежности в надлежащем положении производится автоматически
  - потяните за принадлежность, чтобы убедиться, что она правильно зафиксирована
  - для снятия принадлежности оттяните назад фиксаторную втулку G
  - ! **принадлежности SDS+ требуют свободы смещения, что приводит к появлению эксцентриситета, когда к инструменту приложена нагрузка; однако в процессе работы происходит автоматическое центрирование принадлежности без ущерба для точности сверления**

! **не используйте биты/зубила с повреждённым стволом**

- Предохранительная муфта
  - Если принадлежность заедает, происходит блокировка шпинделя (и, как следствие, раздается характерный звук)
    - немедленно выключите инструмент
    - освободите застрявшую деталь
    - снова включите инструмент
- Регулировка глубины сверления ⑬
- Удерживание и направление инструмента ⑭
  - **обязательно используйте боковую рукоятку H ②** (регулируется, как показано на рисунке)
    - не закрывайте вентиляционные отверстия
    - не прилагайте чрезмерных усилий к инструменту, дайте инструменту поработать за Вас

## СОВЕТЫ ПО ИСПОЛЬЗОВАНИЮ

- Используйте только надлежащие биты ⑮
  - ! **не используйте тупые биты/зубила**
- Для сверления по дереву, металлу и пластику, а также для завинчивания используйте соответствующий переходник (принадлежность SKIL 2610395660) ⑯
  - перед установкой переходника очистите и слегка смажьте его
  - оттяните назад фиксаторную втулку G ② и установите необходимый переходник в патрон SDS+, повернув его и надавив на него; переходник автоматически зафиксируется в надлежащем положении
  - потяните за переходник, чтобы убедиться, что он правильно зафиксирован
  - установите переключатель E ② на режим обычного сверления (**переключатель действует только при отключенном инструменте**)
- Сверление черных металлов
  - при сверлении отверстия большего диаметра сначала просверлите отверстие меньшего диаметра
    - периодически смазывайте сверло
- При завинчивании шурупа в месте поперечного среза или рядом с ним, а также на кромке деревянной детали рекомендуем во избежание образования трещин сначала просверлить отверстие
- Сверление по дереву без расщепления материала ⑰
- Сверление в стенах без пыли ⑱
- Сверление в потолках без пыли ⑲
- Сверлению по кафелю без проскальзывания ⑳
- См дополнительную информацию на сайте [www.skileurope.com](http://www.skileurope.com)

## ГАРАНТИЯ / ОХРАНА


- Всегда содержите инструмент и его шнур в чистоте (особенно вентиляционные отверстия)  
**! перед чисткой инструмента выньте вилку из розетки**
- Это изделие SKIL имеет гарантию в соответствии с установленными правилами; повреждение вследствие нормального использования, перегрузки или неверного обращения не включены в гарантию
- При неисправности отошлите инструмент в **неразобранном** виде вместе с доказательством покупки дилеру или в ближайший отдел обслуживания SKIL (адреса и схема обслуживания инструмента приводятся в [www.skileurope.com](http://www.skileurope.com))
- **Не выкидывайте электроинструмент, принадлежности и упаковку вместе с бытовым мусором** (только для стран ЕС)
  - во исполнение европейской директивы 2002/96/ЕС об утилизации отслужившего свой срок электрического и электронного оборудования и в соответствии с действующим законодательством, утилизация электроинструментов производится отдельно от других отходов на предприятиях, соответствующих условиям экологической безопасности
  - значок  напомним Вам об этом, когда появится необходимость сдать электроинструмент на утилизацию

UA

## Перфоратор

1765

### ВСТУП

- Цей інструмент придатний для свердління з ударом по бетону, цеглі та камінню, а також для легких довальних робіт; для свердління по дереву, металу та пластику, а також для роботи з гвинтами, використовуючи спеціальні приладдя
- Ударна система цього інструмента, під час свердління бетону, перевершує по своїм параметрам усі традиційні ударні дрилі
- Цей інструмент розроблений для використання в комбінації з усіма стандартними приладдями SDS+
- Прочитайте і збережіть цю Інструкцію з експлуатації 

### ТЕХНІЧНІ ДАНІ

### ЕЛЕМЕНТИ ІНСТРУМЕНТА

- A Вимикач для вкл/викл та регулювання швидкості
- B Маховик для регулювання максимальної швидкості обертання
- C Кнопка блокування вимикача
- D Важіль для зміни напрямку обертання

- E Вимикач для вибору режиму роботи
- F Кнопка розблокування
- G Фіксаторна втулка
- H Додаткова ручка

## БЕЗПЕКА

### ЗАГАЛЬНІ ВКАЗІВКИ З ТЕХНІКИ БЕЗПЕКИ

**⚠ УВАГА! Прочитайте всі попередження і вказівки.** Недодержання попереджень і вказівок може призводити до удару електричним струмом, пожежі та/або серйозних травм. **Добре зберігайте на майбутнє ці попередження і вказівки.** Під поняттям "електроприлад" в цих попередженнях мається на увазі електроприлад, що працює від мережі (з електрокабелем).

#### 1) БЕЗПЕКА НА РОБОЧОМУ МІСЦІ

- a) **Примайте своє робоче місце в чистоті та прибирайте його.** Безлад або погане освітлення на робочому місці можуть призводити до нещасних випадків.
- b) **Не працюйте з приладом у середовищі, де існує небезпека вибуху внаслідок присутності горючих рідин, газів або пилу.** Електроприлади можуть породжувати іскри, від яких може займатися пил або пари.
- c) **Під час працювання з приладом не підпускайте до робочого місця дітей та інших людей.** Ви можете втратити контроль над приладом, якщо Ваша увага буде відвернута.

#### 2) ЕЛЕКТРИЧНА БЕЗПЕКА

- a) **Штепсель приладу повинен пасувати до розетки. Не дозволяється що-небудь міняти в штепселі. Для роботи з приладами, що мають захисне заземлення, не використовуйте адаптери.** Використання оригінального штепселя та належної розетки зменшує ризик удару електричним струмом.
- b) **Уникайте контакту частей тіла із заземленими поверхнями, як напр., трубами, батареями опалення, печами та холодильниками.** Коли Ваше тіло заземлене, існує збільшена небезпека удару електричним струмом.
- c) **Захищайте прилад від дощу та вологи.** Попадання води в електроінструмент збільшує ризик удару електричним струмом.
- d) **Не використовуйте кабель для перенесення приладу, підвішування або витягування штепселя з розетки. Захищайте кабель від жару, олії, гострих країв та деталей приладу, що рухаються.** Пошкоджений або закручений кабель збільшує ризик удару електричним струмом.
- e) **Для зовнішніх робіт обов'язково використовуйте лише такий подовжувач, що допущений для зовнішніх робіт.** Використання подовжувача, що розрахований на зовнішні роботи, зменшує ризик удару електричним струмом.

- f) Якщо не можна запобігти використанню електроприладу у вологому середовищі, використовуйте пристрій захисту від витоків в землю. Використання зростою захисту від витоків в землю зменшує ризик удару електричним струмом.
- 3) БЕЗПЕКА ЛЮДЕЙ**
- a) **Будьте уважними, слідкуйте за тим, що Ви робите, та розсудливо поведіться під час роботи з електроприладом. Не користуйтеся приладом, якщо Ви стомлені або знаходитесь під дією наркотиків, спиртних напоїв або лік.** Мить неухважності при користуванні приладом може призводити до серйозних травм.
- b) **Вдягайте особисте захисне спорядження та обов'язково вдягайте захисні окуляри.** Вдягання особистого захисного спорядження, як напр., - в залежності від виду робіт - захисної маски, спецвзуття, що не ковзається, каски або навушників, зменшує ризик травм.
- c) **Уникайте ненавмисного вмикання.** Перш ніж вмикати електроприлад в електромережу, брати його в руки або переносити, впевніться в тому, що електроприлад вимкнений. Тримання пальця на вимикачі під час перенесення електроприладу або встромлення в розетку увімкненого приладу може призводити до травм.
- d) **Перед тим, як вмикати прилад, приборіть налагоджувальні інструменти та гайковий ключ.** Знаходження налагоджувального інструмента або ключа в деталі, що обертається, може призводити до травм.
- e) **Не переоцінюйте себе. Зберігайте стійке положення та завжди зберігайте рівновагу.** Це дозволить Вам краще зберігати контроль над приладом у несподіваних ситуаціях.
- f) **Вдягайте придатний одяг. Не вдягайте просторий одяг та прикраси. Не підставляйте волосся, одяг та рукавиці близько до деталей приладу, що рухаються.** Просторий одяга, прикраси та довге волосся можуть попадати в деталі, що рухаються.
- g) **Якщо існує можливість монтувати пиловідсмоктувальні або пилоуловлювальні пристрої, переконайтеся, щоб вони були добре під'єднані та правильно використовувалися.** Використання пиловідсмоктувального пристрою може зменшити небезпеки, зумовлені пилом.
- 4) ПРАВИЛЬНЕ ПОВЕДІННЯ ТА КОРИСТУВАННЯ ЕЛЕКТРОПРИЛАДАМИ**
- a) **Не перевантажуйте прилад. Використовуйте такий прилад, що спеціально призначений для певної роботи.** З придатним приладом Ви з меншим ризиком отримаєте кращі результати роботи, якщо будете працювати в зазначеному діапазоні потужності.
- b) **Не користуйтеся приладом з пошкодженим вимикачем.** Прилад, який не можна увімкнути або вимкнути, є небезпечним і його треба відремонтувати.
- c) **Перед тим, як регулювати що-небудь на приладі, міняти приладдя або ховати прилад, витягніть штепсель із розетки.** Ці попереджувальні заходи з техніки безпеки зменшують ризик ненавмисного запуску приладу.
- d) **Зберігайте електроприлади, якими Ви саме не користуєтесь, далеко від дітей. Не дозволяйте користуватися електроприладом особам, що не знайомі з його роботою або не читали ці вказівки.** У разі застосування недосвідченими особами прилади несуть в собі небезпеку.
- e) **Старанно доглядайте за приладом. Перевірте, щоб рухомі деталі приладу бездоганно працювали та не заїдали, не були поламаними або настільки пошкодженими, щоб це могло вплинути на функціонування приладу. Пошкоджені деталі треба відремонтувати в авторизованій майстерні, перш ніж ними можна знову користуватися.** Велика кількість нещасних випадків спричиняється поганим доглядом за електроприладами.
- f) **Тримайте різальні інструменти добре нагостреними та в чистоті.** Старанно доглянуті різальні інструменти з гострим різальним краєм менше застряють та їх легше вести.
- g) **Використовуйте електроприлади, приладдя до них, робочі інструменти т.і. відповідно до цих вказівок. Беріть до уваги при цьому умови роботи та специфіку виконуваної роботи.** Використання електроприладів для робіт, для яких вони не передбачені, може призводити до небезпечних ситуацій.
- 5) СЕРВІС**
- a) **Віддавайте свій прилад на ремонт лише кваліфікованим фахівцям та лише з використанням оригінальних запчастин.** Це забезпечить безпеку приладу на довгий час.

#### **ВКАЗІВКИ ПО БЕЗПЕЦІ ПІД ЧАС РОБОТИ ПЕРФОРАТОРОМ**

- Під час роботи з ударним дрилем вдягайте захисні навушники (щоб уникнути негативного впливу шуму на слух)
- Використовуйте додані до інструменту допоміжні рукоятки (втрата контролю над інструментом може призвести до травм)
- Не допускайте пошкоджень, які можуть нанести шурупи, цвяхи і інші елементи вашої виробу; видаліть їх перед початком роботи
- Не дозволяйте шнуру живлення стикатися з рухомими частинами інструменту

- **Зафіксуйте оброблювану деталь** (оброблювана деталь, зафіксована за допомогою затискних пристроїв або лещат, закріплюється краще, ніж вручну)
- Коли ви закінчили роботу з інструментом, вимкніть мотор і переконайтеся, що всі рухомі частини повністю зупинилися
- Використовуйте повністю розгорнений шнур подовжувача, який може витримувати навантаження в 16 Ампер
- У разі електричної або механічної несправності, негайно відключите інструмент і вимкніть з розетки
- SKIL гарантує надійну роботу інструмента тільки при використанні відповідного приладдя
- Використовуйте лише приладдя, припустима швидкість обертання якого як мінімум відповідає найвищій швидкості інструмента без навантаження
- Цей інструмент не можна використовувати особам віком до 16 років
- **Використовуйте придатні пошукові прилади для знаходження захоронаних в будівлі труб та кабелів або зверніться за допомогою в місцеве підприємство електро-, газо- та водопостачання** (зацеплення електропроводки може призводити до пожежі та удару електричним струмом; зацеплення газової труби може призводити до вибуху; зацеплення водопровідної труби може завдати шкоду матеріальним цінностям або призводити до удару електричним струмом)
- **При роботах, коли робочий інструмент може зачепити захоронану електропроводку або власний шнур живлення, тримайте електроприлад за ізольовані рукоятки** (зацеплення електропроводки заряджує металеві частини електроприладу і призводить до удару електричним струмом)
- **Не обробляйте матеріали, що містять асбест** (асбест вважається канцерогенним)
- **Уживайте запобіжних заходів, якщо під час роботи можуть утворюватися шкідливі для здоров'я, горючі види пилу або такі, що можуть займатися** (деякі види пилу вважаються канцерогенними); вдягайте пилозахисну маску та користуйтеся пилососом для відсмоктування пилу/стружки, якщо його можна підключити
- Якщо шнур пошкоджений або прорізаний при роботі, не доторкайтеся до нього і негайно витягніть його з розетки
- Ніколи не використовуйте інструмент з пошкодженим шнуром; його повинен замінити кваліфікований фахівець
- Перед роботою перевірте відповідність струму в мережі із струмом, позначені на інструменті (інструменти, розраховані на 230В або 240В, також можуть підключатися до мережі 220В)
- Якщо свердло заїло (що призводить до неочікуваної небезпечної реакції), негайно вимкніть інструмент

- Помніть про безпеку, що може з'явитися під час заїдання свердла (особливо при свердлінні металів); **завжди використовуйте бокову ручку Н ②** та займайте надійну позу
- **Перед регулюванням або заміною приладдя обов'язково вийміть вилку із сіткової розетки**

## ВИКОРИСТАННЯ

- Вмикання/вимкання ④
- Блокування вимикача для тривалої роботи ⑤
- Контроль швидкості для плавного пуску ⑥
- Регулятор максимальної швидкості ⑦
- Маховиком В ② можна досягнути максимальної швидкості свердління, обертаючи його поступово від мінімуму до максимуму
- Зміна напрям обертання ⑧
  - при певній установці положення лів/прав пусковий вимикач А не працює
  - ! **мінуйте напрям обертання тільки при повній зупинці інструмента**
- Вибір режиму роботи ⑨
  - натисніть кнопку F для розблокування вимикача E
  - переведіть вимикач E у потрібний режим роботи до фіксації
  - ! **починайте роботу тільки після блокування вимикача E**
    - 1 = свердління без удару/викрутка
    - 2 = свердління з ударом
    - 3 = пробійний режим з різцем, що крутиться
    - 4 = пробійний режим з фіксованим різцем
  - ! **обертайте режим роботи тільки при повному вимкненні інструмента**
    - для свердління по дереву, металу та пластику, а також для загвинчування слід використовувати перехідник до нього (див. Поради по використанню)
    - ударний механізм вмикається шляхом легкого натискання на інструмент, коли кінчик свердла торкається заготовки
    - найкращі результати ударного свердління досягаються тільки при легкому натиску на інструмент, необхідному для утримання автоматичної муфти у ввімкнутому стані; при посиленні тиску на інструмент продуктивність свердління не збільшується: ІНСТРУМЕНТ SKIL ПРАЦЮЄ ЗА ВАС
- Пробійний режим з різцем, що крутиться ⑩
  - ! **вимкніть інструмент і витягніть вилку з розетки**
  - виберіть пробійний режим "з різцем, що крутиться"
- Пробійний режим з фіксованим різцем ⑪
  - ! **вимкніть інструмент і витягніть вилку з розетки**
  - виберіть пробійний режим "з різцем, що крутиться"

- розмістіть різець у потрібному положенні
- виберіть пробійний режим "з фіксованим різцем"
- Заміна насадок ⑫
  - перед встановленням очистіть та трохи змастіть приладдя
  - відтягніть фіксаторну втулку G та вструміть приладдя у патрон SDS+, прокрутіть та натисніть на нього; фіксація приладдя у необхідному положенні відбудеться автоматично
  - потягніть за приладдя, щоб переконатись, що воно правильно затиснуто
  - для зняття приладдя відтягніть фіксаторну втулку G
- ! **приладдя SDS+ потребують своєї кріплення, що призводить до появи ексцентриситету, коли інструмент не навантажено; однак під час процесу роботи відбувається автоматичне центрування приладдя без створення шкоди для точного свердління**
- ! **не використовуйте насадки/різці з пошкодженням стовбуром**
- Запобіжна муфта
  - Якщо приладдя заїдає під час свердління, відбувається блокування шпинделя (і, як наслідок, лунає характерний звук)
    - негайно вимкніть інструмент
    - розблокуйте приладдя
    - увімкніть інструмент
- Регулювання глибини свердління ⑬
- Утримання і робота інструментом ⑭
  - **завжди використовуйте бокову ручку H ②** (може регулюватись як показано)
  - не закривайте вентиляційні отвори
  - не тисніть на інструмент; дайте інструменту можливість працювати за вас

## ПОРАДИ ПО ВИКОРИСТАНЮ

- Використовуйте відповідні насадки ⑮
  - ! **використовуйте тільки гострі насадки/різці**
- Для свердління по дереву, металу та пластику, а також для загвинчування слід використовувати перехідник до нього (приладдя SKIL 2610395660) ⑯
  - почистіть та змастіть перехідник перед встановленням
  - відтягніть фіксаторну втулку G ② та вструміть перехідник у патрон SDS+, прокрутіть та натисніть на нього; фіксація перехідника у необхідному положенні відбудеться автоматично
  - подягніть за перехідник, щоб переконатись що він надійно зафіксований
  - встановіть перемикач E ② на режим звичайного свердління (**перемикач працює тільки при вимкненому інструменті**)
- Свердління чорних металів
  - попередньо просвердліть отвір меншого діаметру, якщо необхідний отвір великого розміру
  - час від часу змащуйте свердла маслом

- При вгвинчуванні шурупів у поперечний зріз дерева або біля нього або в кромку дерева необхідно спочатку просвердлити отвір, щоб запобігти розколу деревини
- Свердління деревини без виривання скалок ⑰
- Свердління в стінах без пилу ⑱
- Свердління в стелях без пилу ⑲
- Свердління кафельних плиток без прослизкування ⑳
- Див додаткову інформацію на [www.skileurope.com](http://www.skileurope.com)

## ГАРАНТІЯ / ОХОРОНА НАВКОЛИШНЬОЇ СЕРЕДИ

- Завжди тримайте інструмент та його шнур у чистоті (особливо вентиляційні отвори)
  - ! **перед чистою інструменту необхідно роз'єднати штепсельний роз'єм**
- Цей продукт SKIL гарантується у відповідності з обов'язковим/відповідно до конкретної країни, нормативно-правовими актами; пошкодження внаслідок нормального зношення, перевантаження або невідповідного поводження виключається з гарантії
- У випадку претензії, надішліть **нерозібраний** пристрій разом з доказом купівлі до Вашого дилера або до найближчого центру обслуговування SKIL (адреси, а також діаграма обслуговування пристрою, подаються на сайті [www.skileurope.com](http://www.skileurope.com))
- **Не викидайте електроінструмент, належності та упаковку разом зі звичайним сміттям** (тільки для країн ЄС)
  - відповідно до європейської директиви 2002/96/ЄС щодо утилізації старих електричних та електронних приладів, в залежності з місцевим законодавством, електроінструмент, який перебував в експлуатації повинен бути утилізований окремо, безпечно для навколишнього середовища шляхом
    - малюнок ⑳ нагадає вам про це

GR

Пістоле́то

1765

ΕΙΣΑΓΩΓΗ

- Το εργαλείο προορίζεται για τρύπημα με κρούση σε μπετόν, τούβλο και πέτρα καθώς και για ελαφρές εργασίες σμίλευσης – για τρύπημα σε ξύλο, μέταλλα και πλαστικά υλικά καθώς και για βίδωμα πρέπει να χρησιμοποιούνται ειδικά εξαρτήματα
- Το σύστημα κρούσης στο εργαλείο αυτό ξεπερνά σε απόδοση κάθε παραδοσιακού τύπου κρουστικό δράπανο για διάτρηση σε τσιμέντο
- Αυτό το εργαλείο είναι σχεδιασμένο για χρήση σε συνδυασμό με τα τυποποιημένα εξαρτήματα SDS+
- Διαβάστε και φυλάξτε αυτές τις οδηγίες χρήσεως ㉓

## ΤΕΧΝΙΚΑ ΧΑΡΑΚΤΗΡΙΣΤΙΚΑ ①

### ΜΕΡΗ ΤΟΥ ΕΡΓΑΛΕΙΟΥ ②

- A Διακόπτης εκκίνησης/στάσης και ελέγχου ταχύτητας
- B Τροχίσκος ρύθμισης της μέγιστης ταχύτητας
- C Κουμπί ασφάλισης του διακόπτη
- D Μοχλός αλλαγής της κατεύθυνσης περιστροφής
- E Διακόπτης επιλογής τρόπου λειτουργίας
- F Κουμπί απασφάλισης
- G Κέλυφος μανδάλωσης
- H Βοηθητική λαβή

## ΑΣΦΑΛΕΙΑ

### ΓΕΝΙΚΕΣ ΥΠΟΔΕΙΞΕΙΣ ΑΣΦΑΛΕΙΑΣ

**⚠ ΠΡΟΕΙΔΟΠΟΙΗΣΗ!** Διαβάστε όλες τις προειδοποιητικές υποδείξεις. Αμέλειες κατά την τήρηση των προειδοποιητικών υποδείξεων μπορεί να προκαλέσουν ηλεκτροπληξία, κίνδυνο πυρκαγιάς ή/και σοβαρούς τραυματισμούς. **Φυλάξτε όλες τις προειδοποιητικές υποδείξεις και οδηγίες για κάθε μελλοντική χρήση.** Ο ορισμός “ηλεκτρικό εργαλείο” που χρησιμοποιείται στις προειδοποιητικές υποδείξεις αναφέρεται σε ηλεκτρικά εργαλεία που τροφοδοτούνται από το ηλεκτρικό δίκτυο (με ηλεκτρικό καλώδιο).

#### 1) ΑΣΦΑΛΕΙΑ ΣΤΟ ΧΩΡΟ ΕΡΓΑΣΙΑΣ

- a) **Διατηρείτε το χώρο που εργάζεσθε καθαρό και καλά φωτισμένο.** Αταξία στο χώρο που εργάζεσθε ή μη φωτισμένες περιοχές εργασίας μπορεί να οδηγήσουν σε ατυχήματα.
- b) **Μην εργάζεσθε με το ηλεκτρικό εργαλείο σε περιβάλλον που υπάρχει κίνδυνος έκρηξης, στο οποίο υπάρχουν εύφλεκτα υγρά, αέρια ή σκόνη.** Τα ηλεκτρικά εργαλεία μπορεί να δημιουργήσουν σπινθηρισμό ο οποίος μπορεί να αναφλέξει τη σκόνη ή τις αναθυμιάσεις.
- c) **Όταν χρησιμοποιείτε το ηλεκτρικό εργαλείο κρατάτε τα παιδιά κι άλλα τυχόν πρόσωπα μακριά από το χώρο που εργάζεσθε.** Σε περίπτωση που άλλα άτομα αποσπάσουν την προσοχή σας μπορεί να χάσετε τον έλεγχο του μηχανήματος.

#### 2) ΗΛΕΚΤΡΙΚΗ ΑΣΦΑΛΕΙΑ

- a) **Το φως του καλώδιου του ηλεκτρικού εργαλείου πρέπει να ταιριάζει στην αντίστοιχη πρίζα. Δεν επιτρέπεται με κανένα τρόπο η μετασκευή του φως. Μη χρησιμοποιείτε προσαρμοστικά φως σε συνδυασμό με ηλεκτρικά εργαλεία συνδεδεμένα με τη γη (γειωμένα).** Αθικτα φως και κατάλληλες πρίζες μειώνουν τον κίνδυνο ηλεκτροπληξίας.
- b) **Αποφεύγετε την επαφή του σώματος σας με γειωμένες επιφάνειες όπως σωλήνες, θερμομαντικά σώματα (καλοριφέρ), κουζίνες και ψυγεία.** Όταν το σώμα σας είναι γειωμένο αυξάνεται ο κίνδυνος ηλεκτροπληξίας.
- c) **Μην εκθέτετε το ηλεκτρικό εργαλείο στη βροχή ή την υγρασία.** Η διεσποση νερού στο ηλεκτρικό εργαλείο αυξάνει τον κίνδυνο ηλεκτροπληξίας.
- d) **Μη χρησιμοποιείτε το καλώδιο για να μεταφέρετε ή ν'αναρτήσετε το ηλεκτρικό εργαλείο ή για να βγάλετε το φως από την πρίζα. Κρατάτε το καλώδιο μακριά από υψηλές θερμοκρασίες, λάδια, κοφτερές ακμές ή κινούμενα εξαρτήματα.** Τυχόν χαλασμένα ή μπερδεμένα καλώδια αυξάνουν τον κίνδυνο ηλεκτροπληξίας.
- e) **Όταν εργάζεσθε με το ηλεκτρικό εργαλείο στο ύπαιθρο χρησιμοποιείτε πάντοτε καλώδια επιμήκυνσης (μπαλαντάζες) που έχουν εγκριθεί για χρήση σε εξωτερικούς χώρους.** Η χρήση καλωδίων επιμήκυνσης εγκριμένων για εργασία σε εξωτερικούς χώρους μειώνει τον κίνδυνο ηλεκτροπληξίας.
- f) **Όταν η χρήση του ηλεκτρικού εργαλείου σε υγρό περιβάλλον είναι αναπόφευκτη, τότε χρησιμοποιήστε έναν προστατευτικό διακόπτη διαρροής.** Η χρήση ενός προστατευτικού διακόπτη διαρροής ελαττώνει τον κίνδυνο ηλεκτροπληξίας.

#### 3) ΑΣΦΑΛΕΙΑ ΠΡΟΣΩΠΩΝ

- a) **Να είσθε πάντοτε προσεκτικός/προσεκτική, να δίνετε προσοχή στην εργασία που κάνετε και να χειρίζεσθε το ηλεκτρικό εργαλείο με περίσκεψη. Μην κάνετε χρήση του ηλεκτρικού εργαλείου όταν είσθε κουρασμένος/κουρασμένη ή όταν βρίσκεσθε υπό την επιρροή ναρκωτικών, οινοπνεύματος ή φαρμάκων.** Μια στιγμιαία απροσεξία κατά το χειρισμό του ηλεκτρικού εργαλείου μπορεί να οδηγήσει σε σοβαρούς τραυματισμούς.
- b) **Φοράτε προστατευτικά ενδύματα και πάντοτε προστατευτικά γυαλιά.** Όταν φοράτε ενδύματα ασφαλείας, ανάλογα με το υπό χρήση ηλεκτρικό εργαλείο, όπως προστατίδα προστασίας από σκόνη, αντιολισθητικά παπούτσια ασφαλείας, κράνη ή ωτασπίδες, μειώνεται ο κίνδυνος τραυματισμών.
- c) **Αποφεύγετε την αβέλτη εκκίνηση. Βεβαιωθείτε ότι το ηλεκτρικό εργαλείο έχει αποσυντηρηθεί πριν το συνδέσετε με το ηλεκτρικό δίκτυο καθώς και πριν το παραλάβετε ή το μεταφέρετε.** Όταν μεταφέρετε το ηλεκτρικό εργαλείο έχοντας το δάχτυλό σας στο διακόπτη ή όταν συνδέσετε το μηχανήμα με την πηγή ρεύματος όταν αυτό είναι ακόμη συζευγμένο, τότε δημιουργείται κίνδυνος τραυματισμών.
- d) **Αφαιρείτε από τα ηλεκτρικά εργαλεία πριν τα θέσετε σε λειτουργία τυχόν συναρμολογημένα χρησιμοποιήσιμα εργαλεία ή κλειδιά.** Ένα εργαλείο ή κλειδί συναρμολογημένο στο περιστρεφόμενο εξάρτημα ενός ηλεκτρικού εργαλείου μπορεί να οδηγήσει σε τραυματισμούς.
- e) **Μην υπερκτιμάτε τον εαυτό σας. Φροντίζετε για την ασφαλή στήριξη του σώματος σας και διατηρείτε πάντοτε την ισορροπία σας.** Αυτό σας επιτρέπει τον καλύτερο έλεγχο το ηλεκτρικού εργαλείου σε περιπτώσεις απροσδόκητων καταστάσεων.

- f) Φοράτε κατάλληλη ενδυμασία εργασίας. Μην φοράτε φαρδιά ενδύματα ή κοσμήματα. Κρατάτε τα μαλλιά σας, τα ενδύματα σας και τα γάντια σας μακριά από τα κινούμενα εξαρτήματα. Χαλαρή ενδυμασία, κοσμήματα και μακριά μαλλιά μπορεί να εμπλακούν στα κινούμενα εξαρτήματα.
- g) **Αν υπάρχει η δυνατότητα συναρμολόγησης διατάξεων αναρρόφησης ή συλλογής σκόνης, βεβαιωθείτε αν οι διατάξεις αυτές είναι συνδεδεμένες καθώς κι αν χρησιμοποιούνται σωστά.** Η χρήση μιας αναρρόφησης σκόνης μπορεί να ελαττώσει τον κίνδυνο που προκαλείται από τη σκόνη.
- 4) **ΧΡΗΣΗ ΚΙ ΕΠΙΜΕΛΗΣ ΧΕΙΡΙΣΜΟΣ ΤΩΝ ΗΛΕΚΤΡΙΚΩΝ ΕΡΓΑΛΕΙΩΝ**
- a) Μην υπερφορτώνετε το ηλεκτρικό εργαλείο. Χρησιμοποιείτε για την εκάστοτε εργασία σας το ηλεκτρικό εργαλείο που προορίζεται γι' αυτήν. Με το κατάλληλο ηλεκτρικό εργαλείο εργάζεσθε καλύτερα και ασφαλέστερα στην αναφερόμενη περιοχή ισχύος.
- b) Μην χρησιμοποιήσετε ποτέ ένα ηλεκτρικό εργαλείο του οποίου ο διακόπτης ON/OFF είναι χαλασμένος. Ένα ηλεκτρικό εργαλείο το οποίο δεν μπορεί να τεθεί πλέον σε ή εκτός λειτουργίας είναι επικίνδυνο και πρέπει να επισκευαστεί.
- c) Βγάλτε το φως από την πρίζα πριν διεξάγετε κάποια εργασία ρύθμισης στο ηλεκτρικό εργαλείο, πριν αντικαταστήσετε/αλλάξετε κάποιο εξάρτημα ή όταν πρόκειται να το διαφυλάξετε/αποθηκεύσετε. Αυτά τα προληπτικά μέτρα ασφαλείας μειώνουν τον κίνδυνο να τεθεί το μηχάνημα αθέλητα σε λειτουργία.
- d) Διαφυλάγεται το ηλεκτρικό εργαλείο που δε χρησιμοποιείτε μακριά από παιδιά. Μην αφήνετε άτομα που δεν είναι εξοικειωμένα με το ηλεκτρικό εργαλείο ή δεν έχουν διαβάσει αυτές τις οδηγίες χρήσης να το χρησιμοποιήσουν. Τα ηλεκτρικά εργαλεία είναι επικίνδυνα όταν χρησιμοποιούνται από άπειρα πρόσωπα.
- e) Να περιποιήστε προσεκτικά το ηλεκτρικό σας εργαλείο και να ελέγχετε, αν τα κινούμενα μέρη του λειτουργούν άψογα και δεν μπλοκάρουν, ή μήπως έχουν χαλάσει ή σπάσει εξαρτήματα, τα οποία επηρεάζουν έτσι αρνητικά τον τρόπο λειτουργίας του ηλεκτρικού εργαλείου. Δώστε τυχόν χαλασμένα εξαρτήματα του ηλεκτρικού εργαλείου να επισκευή πριν το χρησιμοποιήσετε πάλι. Η ανεπαρκής συντήρηση των ηλεκτρικών εργαλείων αποτελεί αιτία πολλών ατυχημάτων.
- f) Διατηρείτε τα κοπτικά εργαλεία κοφτερά και καθαρά. Τα κοπτικά εργαλεία που συντηρούνται με προσοχή μπορούν να οδηγηθούν εύκολα και να ελεγχθούν καλύτερα.

- g) Χρησιμοποιείτε τα ηλεκτρικά εργαλεία, τα εξαρτήματα, τα χρησιμοποιήσιμα εργαλεία κτλ. σύμφωνα με τις παρούσες οδηγίες καθώς. Λαμβάνετε ταυτόχρονα υπόψη σας τις συνθήκες εργασίας και την υπό εκτέλεση εργασία. Η χρήση του ηλεκτρικού εργαλείου για άλλες εκτός από τις προβλεπόμενες εργασίες μπορεί να δημιουργήσει επικίνδυνες καταστάσεις.

#### 5) SERVICE

- a) Δίνετε το ηλεκτρικό σας εργαλείο για επισκευή από άτομα ειδικευμένο προσωπικό, μόνο με γνώση ανταλλακτικά. Έτσι εξασφαλίζεται η διατήρηση της ασφάλειας του ηλεκτρικού εργαλείου.

#### ΥΠΟΔΕΙΞΙΣ ΑΣΦΑΛΕΙΑΣ ΓΙΑ ΠΙΣΤΟΛΕΤΑ

- Προστατέψετε την ακοή σας φορώντας ωτοασπίδες με την χρήση κρουστικών δραπάνων (δυνατός θόρυβος μπορεί να προκαλέσει πρόβλημα στην ακοή)
- Χρησιμοποιείτε την πλευρική χειρολαβή πάνω στο εργαλείο (απώλεια ελέγχου μπορεί να προκαλέσει τραυματισμό)
- Προφυλάξτε το εργαλείο από τυχόν φθορές από ξένα σώματα (βίδες, καρφιά ή άλλα) που ίσως είναι μέσα στο κομμάτι που θα δουλέψετε - αφαιρέστε τα πριν αρχίσετε την εργασία
- Να κρατάτε πάντα το καλώδιο μακριά από τα κινούμενα μέρη του εργαλείου σας
- **Στερεώστε το κομμάτι εργασίας** (το κομμάτι εργασίας συγκρατείται καλύτερα με σφιγκτήρες ή σε μέγερη παρά με το χέρι)
- Όταν τελειώνετε την δουλειά σας και ακουμπάτε το εργαλείο στο πλάι, κλείστε τον διακόπτη και βεβαιωθείτε ότι όλα τα κινούμενα μέρη του έχουν σταματήσει εντελώς
- Χρησιμοποιείτε ασφαλείς, τελειώς ξετυλιγμένες προεκτάσεις καλωδίου με χωρητικότητα 16 Amps
- Σε περίπτωση ηλεκτρικής ή μηχανικής δυσλειτουργίας, σταματήστε αμέσως το εργαλείο και βγάλτε το από την πρίζα
- Η SKIL εγγυάται την τέλεια λειτουργία του εργαλείου μόνο όταν χρησιμοποιούνται αυθεντικά εξαρτήματα
- Χρησιμοποιείτε μόνο εξαρτήματα των οποίων ο ύψιστος επιτρεπτός αριθμός στροφών είναι τουλάχιστον τόσο υψηλός, όσο ο ύψιστος αριθμός στροφών χωρίς φορτίο του εργαλείου
- Αυτό το εργαλείο δεν πρέπει να χρησιμοποιείται από άτομα κάτω των 16 ετών
- Χρησιμοποιήστε κατάλληλες ανιχνευτικές συσκευές για να εντοπίσετε τυχόν αφανείς τροφοδοτικές γραμμές ή συμβουλευτείτε σχετικά τις επιχειρήσεις παροχής ενέργειας (επαφή με ηλεκτρικές γραμμές μπορεί να οδηγήσει σε πυρκαϊά ή σε ηλεκτροπληξία - βλάβες σε αγωγούς φωταερίου (γκαζιού) μπορεί να οδηγήσουν σε έκρηξη - η δειξίωση σ' ένα σωλήνα νερού προκαλεί υλικές ζημιές ή μπορεί να προκαλέσει ηλεκτροπληξία)



- **Να κρατάτε το εργαλείο πάντοτε από τις μονωμένες επιφάνειες συγκράτησης όταν κατά τη διάρκεια των εργασιών που εκτελείτε υπάρχει κίνδυνος, το εξάρτημα να κούβει μη ορατές ηλεκτρικές γραμμές ή το ίδιο το καλώδιο** (η επαφή με μια υπό τάση ευρισκόμενη ηλεκτρική γραμμή θέτει τα μεταλλικά τμήματα του μηχανήματος επίσης υπό τάση κι έτσι προκαλείται ηλεκτροπληξία)
- **Μην κατεργάζεστε υλικά που περιέχουν αμιάντο** (το αμιάντο θεωρείται σαν καρκινογόνο υλικό)
- **Να λαμβάνετε προστατευτικά μέτρα όταν κατά την εργασία σας υπάρχει η περίπτωση να δημιουργηθεί ανθυγιεινή, εύφλεκτη ή εκρηκτική σκόνη** (μερικά είδη σκόνης θεωρούνται καρκινογόνα) - να φοράτε μάσκα προστασίας σκόνης και να χρησιμοποιείτε αναρρόφηση σκόνης/ροκανιδιών/γρεζιών
- Σε περίπτωση που υποστεί βλάβη ή κοπεί το καλώδιο κατά την εργασία, μην αγγίξετε το καλώδιο, αλλά αποσυνδέστε αμέσως το φως από την πρίζα
- Ποτέ μη χρησιμοποιείτε το εργαλείο όταν έχει υποστεί βλάβη το καλώδιο - το καλώδιο θα πρέπει να αντικατασταθεί από έναν εξειδικευμένο τεχνίτη
- Βεβαιωθείτε ότι η τάση του παρεχόμενου ρεύματος είναι ίδια με την τάση που υποδεικνύεται στην πινακίδα δεδομένων του εργαλείου (εργαλεία που φέρουν την ένδειξη 230V ή 240V μπορούν να συνδεθούν επίσης σε πρίζα 220V)
- Σε περίπτωση που το τρυπάνι μπλοκάρει κατά την εργασία (προκαλώντας μια απότομη, επικίνδυνη αντίδραση), βήστε αμέσως το εργαλείο
- Έχετε υπόψη σας τις δυνάμεις που δημιουργούνται σαν αποτέλεσμα του μπλοκαρίσματος του εργαλείου (κυρίως όταν τρυπάτε μέταλλο); **να χρησιμοποιείτε πάντοτε την πλευρική χειρολαβή Η ②** και φροντίστε να στέκεστε σταθερά
- **Πάντα να αποσυνδέεται την πρίζα από το ηλεκτρικό δίκτυο πριν κάνετε κάποια ρύθμιση ή αλλάξετε εξάρτημα**

## ΧΡΗΣΗ

- Εκκίνηση/Σταση ④
- Ασφάλιση του διακόπτη για συνεχή λειτουργία ⑤
- Έλεγχος ταχύτητας για ομαλή εκκίνηση ⑥
- Έλεγχος της μέγιστης ταχύτητας ⑦  
Με τον τροχίσκο Β ② μπορεί να ρυθμιστεί η μέγιστη ταχύτητα από τον μηδέν στο μέγιστο αδιαβαθμητά
- Αλλαγή της κατεύθυνσης περιστροφής ⑧
  - αν η διακόπτης Α δεν είναι σωστά τοποθετημένη στη μία ή άλλη θέση δεν μπορεί να ενεργοποιηθεί
- **! αλλάξτε την κατεύθυνση περιστροφής μόνο όταν το εργαλείο είναι τελείως σταματημένο**
- Επιλογή τρόπου λειτουργίας ⑨
  - πιέστε το κουμπί F για να απασφαλίσετε το διακόπτη E
  - περιστρέψτε το διακόπτη E στον επιθυμητό τρόπο λειτουργίας έως ότου ασφαλίσει

- **! ξεκινήστε την εργασία, μόνο εφόσον ο διακόπτης Ε έχει ασφαλίσει**
  - 1 = κανονικά τρύπημα/βίδωμα
  - 2 = τρύπημα με κρούση
  - 3 = σμίλευση με περιστρεφόμενη σμίλη
  - 4 = σμίλευση με σταθερή σμίλη
- **! επιλέξτε τον τρόπο λειτουργίας μόνο όταν το εργαλείο είναι βηθασμένο**
  - για τρύπημα σε ξύλο, μέταλλα και πλαστικά υλικά καθώς και για βίδωμα πρέπει να χρησιμοποιούνται τον σχετικό προσαρμογέα (δείτε: Οδηγίες εφαρμογής)
  - ο κρουστικός μηχανισμός ενεργοποιείται αν εφαρμόσετε μικρή πίεση στο εργαλείο όταν το άκρο του τρυπανιού είναι σε επαφή με το κατεργαζόμενο τεμάχιο
  - θα έχετε καλύτερα αποτελέσματα διάτρησης με κρούση αν εφαρμόσετε μόνο μία ελαφριά πίεση στο εργαλείο η οποία και χρειάζεται για να κρατήσει το συμπλέκτη συνδεδεμένο; δεν θα βελτιώσετε την απόδοση του δραπάνου εφαρμόζοντας μεγαλύτερη πίεση στο εργαλείο: **ΑΦΗΣΤΕ ΤΟ ΕΡΓΑΛΕΙΟ SKIL ΝΑ ΔΟΥΛΕΥΕΙ ΓΙΑ ΣΑΣ**
- Σμίλευση με περιστρεφόμενη σμίλη ⑩
  - **! απενεργοποιήστε το εργαλείο και βγάλτε το φως από την πρίζα**
    - επιλέξτε τη λειτουργία “περιστρεφόμενης” σμίλευσης
  - Σμίλευση με σταθερή σμίλη ⑪
    - **! απενεργοποιήστε το εργαλείο και βγάλτε το φως από την πρίζα**
      - επιλέξτε τη λειτουργία “περιστρεφόμενης” σμίλευσης
      - βάλτε τη σμίλη στη θέση που επιθυμείτε
      - επιλέξτε τη λειτουργία “σταθερής” σμίλευσης
- Αλλαγή μύτων ⑫
  - καθαρίζετε και λιπαίνετε λίγο το εξάρτημα πριν τη τοποθέτησή του
  - τραβήξτε το κέλυφος μανδάλωσης G προς τα πίσω και τοποθετήστε το εξάρτημα στον SDS+ τσόκ στρέφοντας και πιέζοντας αυτό μέχρι να εμπλακεί; το εξάρτημα ασφαρίζεται αυτόματα
  - ελέγχετε τη μανδάλωση τραβώντας από το εξάρτημα
  - αφαιρέστε το εξάρτημα τραβώντας το κέλυφος μανδάλωσης G προς τα πίσω
  - **! το εξάρτημα SDS+ πρέπει να κινείται ελεύθερο με αποτέλεσμα να υπάρχει έκκεντρη κίνηση κατά της περιστροφής του εργαλείου χωρίς φορτίο; το εξάρτημα κεντράρει αυτόματα κατά την διάνοιξη οπών χωρίς να υπάρχουν επιπτώσεις στην ακρίβεια της διάνοιξης οπών**
  - **! μη χρησιμοποιείτε μύτη/σμίλες με φθαρμένο στέλεχος**

- Συμπλέκτης ασφαλείας  
Σε περίπτωση που το εξάρτημα κολλήσει, διακόπτετε η μετάδοση της κίνησης στον άξονα (προκαλώντας έναν κραταλισμένο θορυβο)  
- σταματάτε αμέσως το εργαλείο  
- αφαιρέστε το σφινόμενο εξάρτημα  
- ξεκινάτε πάλι το εργαλείο
- Πως να ρυθμίσετε το βάθος του τρυπανιού <sup>13</sup>
- Πώς να κρατάτε και να οδηγείτε το εργαλείο <sup>14</sup>  
- **να χρησιμοποιείτε πάντοτε την πλευρική χειρολαβή H** <sup>2</sup> (μπορεί να ρυθμιστεί όπως δείχνει η εικόνα)  
- κρατάτε τις σχισμές αερισμού ακάλυπτες  
- μην ασκείτε υπέρμετρη πίεση στο εργαλείο, αφήστε το εργαλείο να δουλέψει για σας

## ΟΔΗΓΙΕΣ ΕΦΑΡΜΟΓΗΣ

- Χρησιμοποιείτε τη κατάλληλη μύτη <sup>15</sup>  
**! χρησιμοποιείτε μόνο αιχμηρά μύτη/σμίλες**
- Για τρύπημα σε ξύλο, μέταλλα και πλαστικά υλικά καθώς και για βίδωμα χρησιμοποιείτε τον σχετικό προσαρμογέα (SKIL εξάρτημα 2610395660) <sup>16</sup>  
- καθαρίζετε και λιπαίνετε λίγο τον σχετικό προσαρμογέα πριν τη τοποθέτηση του  
- τραβήξτε το κέλυφος μανδάλωσης G <sup>2</sup> προς τα πίσω και τοποθετήστε τον σχετικό προσαρμογέα στον SDS+ τσοκ στρέφοντας και πιέζοντας αυτό μέχρι να εμπλακεί; ο προσαρμογέας ασφαλίζει από μόνος του  
- ελέγχετε τη μανδάλωση τραβώντας από τον σχετικό προσαρμογέα  
- ρυθμίστε τη διακόπτη E <sup>2</sup> στη κανονική διάτρηση (**μόνο όταν το εργαλείο βρίσκεται σε ηρεμία**)
- Όταν κάνετε διάτρηση σε σιδηρούχα μέταλλα  
- προ-τρυπήστε μία τρύπα μικρότερη από την απαιτούμενη  
- λιπαίνετε τα εξαρτήματα του τρυπανιού τακτικά με λάδι
- Όταν έχετε να βιδώσετε μία βίδα στη γωνία ή σε άκρα ξύλου θα πρέπει πρώτα να τρυπήσετε με τρυπάνι για να αποφύγετε το "σκάσιμο" του ξύλου
- Για σωστό "καθαρό" τρύπημα στο ξύλο <sup>17</sup>
- Τρύπημα χωρίς σκόνης σε τοίχους <sup>18</sup>
- Τρύπημα χωρίς σκόνης σε οροφές <sup>19</sup>
- Τρύπημα χωρίς γλιστρήματα σε πλακάκια <sup>20</sup>
- Για περισσότερες συμβουλές δείτε [www.skileurope.com](http://www.skileurope.com)

## ΕΓΓΥΗΣΗ / ΠΕΡΙΒΑΛΛΟΝ

- Κρατάτε πάντοτε το εργαλείο και το καλώδιο καθαρά (και ιδιαίτερα τις σχισμές αερισμού)  
**! αφαιρέστε την πρίζα πριν το καθαρισμό**
- Για αυτό το προϊόν της SKIL παρέχεται εγγύηση σύμφωνα με τις νομικές διατάξεις που ισχύουν στη χώρα σας - βλάβες που οφείλονται σε φυσιολογική φθορά, υπερφόρτιση ή λανθασμένη χρήση δεν καλύπτονται από την εγγύηση

- Αν έχετε κάποιο παράπονο, στείλτε το εργαλείο **χωρίς να το αποσυναρμολογήσετε** μαζί με την απόδειξη αγοράς στο κατάστημα από το οποίο το αγοράσατε ή στον πλησιέστερο σταθμό τεχνικής εξυπηρέτησης της SKIL (θα βρείτε τις διευθύνσεις και το διάγραμμα συντήρησης του εργαλείου στην ιστοσελίδα [www.skileurope.com](http://www.skileurope.com))
- **Μην πετάτε τα ηλεκτρικά εργαλεία, εξαρτήματα και συσκευασία στον κάδο οικιακών απορριμμάτων** (μόνο για τις χώρες της ΕΕ)  
- σύμφωνα με την ευρωπαϊκή οδηγία 2002/96/EK περί ηλεκτρικών και ηλεκτρονικών συσκευών και την ενσωμάτωσή της στο εθνικό δίκαιο, τα ηλεκτρικά εργαλεία πρέπει να συλλέγονται ξεχωριστά και να επιστρέφονται για ανακύκλωση με τρόπο φιλικό προς το περιβάλλον  
- το σύμβολο <sup>21</sup> θα σας το θυμήσει αυτό όταν έλθει η ώρα να πετάξετε τις

RO

Ciocan rotopercutor

1765

## INTRODUCERE

- Această sculă este destinată pentru lucrări de perforare în beton, cărămidă și piatră, ca și pentru lucrări de dăltuire ușoare; pentru perforare în lemn, metal și material plastic, deasemenea pentru înșurubarea unor piese auxiliare specifice, în caz de utilizare a acestora
- Sistemul de găurire al acestei scule funcționează superior față de orice alt fel de perforator tradițional, atunci când se perforază în beton
- Această sculă este destinată utilizării în combinație cu toate sistemele SDS standard + piesele auxiliare
- Citiți și păstrați acest manual de instrucțiuni <sup>3</sup>

## CARACTERISTICI TEHNICE <sup>1</sup>

### ELEMENTELE SCULEI <sup>2</sup>

- A** Întrerupător deschis/închis și controlul vitezei
- B** Rotilă pentru reglajul vitezei maxime
- C** Buton pentru închiderea întrerupătorului
- D** Manetă pentru schimbarea direcției de rotație
- E** Întrerupător pentru selectarea modului de funcționare
- F** Buton de deblocare
- G** Manșon de blocare
- H** Mâner auxiliar

# PROTECȚIE

## INSTRUCȚIUNI DE PROTECȚIE GENERALE

**⚠ ATENȚIE!** Citiți toate indicațiile de avertizare și instrucțiunile. Nerespectarea indicațiilor de avertizare și a instrucțiunilor poate provoca electrocutare, incendii și/sau răniri grave. **Păstrați toate indicațiile de avertizare și instrucțiunile în vederea utilizărilor viitoare.** Termenul de "sculă electrică" folosit în indicațiile de avertizare se referă la sculele electrice alimentate de la rețea (cu cablu de alimentare).

### 1) SIGURANȚA LA LOCUL DE MUNCĂ

- a) **Păstrați-vă locul de muncă curat și bine iluminat.** Dezordinea la locul de muncă sau existența unor sectoare de lucru neiluminate poate duce la accidente.
- b) **Nu folosiți mașina în medii cu pericol de explozie, acolo unde există lichide, gaze sau pulberi inflamabile.** Sculele electrice pot produce scânteii care să aprindă pulberile sau vaporii.
- c) **Nu permiteți accesul copiilor și al altor persoane în timpul lucrului cu mașina.** Dacă vi se distrage atenția puteți pierde controlul asupra mașinii.

### 2) SECURITATE ELECTRICĂ

- a) **Ștecherul de racordare a mașinii trebuie să se potrivească cu priza de alimentare. Nu este permisă în nici-un caz modificarea ștecherului. Nu folosiți adaptoare pentru ștechere la mașinile legate la pământ.** Ștecherele nemodificate și prizele de curent adecvate acestora reduc riscul de electrocutare.
- b) **Evitați contactul corporal cu suprafețe legate la pământ ca țevi, radiatoare, plite electrice și frigidere.** Există un risc crescut de electrocutare atunci când corpul dv. este și el legat la pământ.
- c) **Nu lăsați mașina afară în ploaie sau în mediu umed.** Riscul de electrocutare crește atunci când într-o sculă electrică pătrunde apă.
- d) **Nu trageți niciodată mașina de cordonul de alimentare pentru a o transporta, a o atârna sau a scoate ștecherul din priza de curent. Feriți cordonul de alimentare de căldură, ulei, mυχii ascuțite sau de subsansamble aflate în mișcare.** Un cordon de alimentare deteriorat sau înfășurat mărește riscul de electrocutare.
- e) **Atunci când lucrați cu scula electrică în aer liber, folosiți numai cordoane prelungitoare autorizate pentru exterior.** Întrebuițarea unui cordon prelungitor adecvat utilizării în aer liber reduce riscul de electrocutare.
- f) **Atunci când nu poate fi evitată utilizarea sculei electrice în mediu umed, folosiți un întrerupător de circuit cu împământare.** Folosirea unei întrerupător de circuit cu împământare reduce riscul de electrocutare.

### 3) SECURITATEA PERSOANELOR

- a) **Fiți vigilenți, fiți atenți la ceea ce faceți și procedați rațional atunci când lucrați cu scula electrică. Nu folosiți mașina dacă sunteți obosiți sau vă aflați sub influența drogurilor, alcoolului sau a medicamentelor.** Un moment de neatenție în timpul lucrului cu mașina poate duce la răniri grave.
  - b) **Purtați echipament de protecție personală și întotdeauna ochelari de protecție.** Folosirea echipamentelor de protecție a persoanei ca mască de protecție împotriva prafului, încălțăminte antiderapantă, cască de protecție sau aparat de protecție auditivă, în funcție de tipul și domeniul de folosire al sculei electrice, reduce riscul rănirilor.
  - c) **Evitați o punere în funcțiune involuntară. Înainte de a introduce ștecherul în priză, de a o ridica sau de a o transporta, asigurați-vă că aceasta este oprită.** Dacă atunci când transportați scula electrică țineți degetul pe întrerupător sau dacă porniți scula electrică înainte de a o racorda la rețeaua de curent, puteți provoca accidente.
  - d) **Înainte de a pune mașina în funcțiune scoateți afară cheile reglabile și fixe.** O cheie reglabilă sau fixă, aflată într-o componentă de mașină care se rotește, poate provoca răniri.
  - e) **Nu vă supraapreciați. Asigurați-vă o poziție stabilă și păstrați-vă întotdeauna echilibrul.** Astfel veți putea controla mai bine mașina în situații neașteptate.
  - f) **Purtați îmbrăcăminte de lucru adecvată. Nu purtați haine largi sau podoabe. Țineți părul, îmbrăcămintea și mănușile departe de componente aflate în mișcare.** Îmbrăcămintea largă, podoabele și părul lung pot fi prinse de piesele aflate în mișcare.
  - g) **Dacă există posibilitatea montării de echipamente și instalații de aspirare și colectare a prafului, asigurați-vă că acestea sunt conectate și folosite corect.** Folosirea unei instalații de aspirare a prafului poate duce la reducerea poluării cu praf.
- ### 4) MANEVRAȚI ȘI FOLOSIȚI CU GRIJĂ SCULELE ELECTRICE
- a) **Nu suprasolicitați mașina. Folosiți scula electrică destinată executării lucrării dumneavoastră.** Cu scula electrică potrivită lucrați mai bine și mai sigur în domeniul de putere specificat.
  - b) **Nu folosiți scula electrică dacă are întrerupătorul defect.** O sculă electrică, care nu mai poate fi pornită sau oprită este periculoasă și trebuie reparată.
  - c) **Scoateți ștecherul din priza de curent înainte de a executa reglaje la mașină, înainte de înlocuirea accesoriilor sau de a depozita mașina.** Această măsură preventivă reduce riscul unei porniri involuntare a mașinii.
  - d) **În caz de nefolosire păstrați mașinile la loc inaccessibil copiilor. Nu permiteți persoanelor care nu sunt familiarizate cu mașina sau care n-au citit prezentele instrucțiuni, să folosească mașina.** Sculele electrice sunt periculoase atunci când sunt folosite de persoane fără experiență.

- e) **Întrețineți-vă cu grijă mașina. Controlați dacă componentele mobile funcționează corect și dacă nu se blochează, dacă nu există piese defecte sau deteriorate, care să afecteze funcționarea mașinii. Înainte de a repune în funcțiune mașina, duceți-o la un atelier de asistență service pentru repararea sau înlocuirea pieselor deteriorate.** Multe accidente s-au datorat întreținerii defectuoase a sculelor electrice.
- f) **Păstrați accesoriile bine ascuțite și curate.** Accesoriile atent întreținute, cu muchii tăietoare bine ascuțite se blochează mai greu și pot fi conduse mai ușor.
- g) **Folosiți sculele electrice, accesoriile, dispozitivele de lucru etc. conform prezentei instrucțiuni. Țineți seama de condițiile de lucru și de lucrarea care trebuie executată.** Întrebuițarea unor scule electrice destinate altor utilizări decât cele preconizate, poate duce la situații periculoase.
- 5) SERVICE**
- a) **Permiteți repararea mașinii dumneavoastră numai de către un specialist calificat și numai cu piese de schimb originale.** În acest mod este garantată menținerea siguranței de exploatare a mașinii.

## INSTRUCIUNI DE PROTECȚIE PENTRU CIOCANUL ROTOPERCUTOR

- **Utilizați dopuri de protecție auditive când lucrați cu mașina de găurit cu percuție** (expunerea la zgomot poate cauza pierderea auzului)
- **Utilizați mânerul auxiliar livrat împreună cu mașina de găurit** (pierderea controlului poate cauza accidente)
- Evitați daunele provocate de șuruburi, ținte și alte elemente din timpul lucrului; înlăturați aceste elemente înainte de a trece la acțiune
- Feriți întotdeauna cordonul de părțile în mișcare ale sculei
- **Securizați piesa de lucru** (o piesă de lucru fixată cu clame sau într-o menghină este ținută mult mai în siguranță decât manual)
- Când puneți instrumentul la o parte, deconectați motorul și asigurați-vă că toate elementele mobile și-au oprit complet mișcarea
- Folosiți cabluri de prelungire derulate complet, protejate/izolate, cu o capacitate de 16 amperi
- În cazul unor defecțiuni electrice sau mecanice deconectați imediat instrumentul și scoateți șnurul din priză
- SKIL garantează funcționarea perfectă a aparatului numai dacă sunt folosite accesoriile originale
- Folosiți numai accesoriile a căror durație admisă este cel puțin egală cu durația maximă la mers în gol a aparatului
- Această sculă nu trebuie să fie folosit de persoane sub 16 ani

- **Folosiți detectoare adecvate pentru depistarea conductelor și conductorilor de alimentare sau apelați în acest scop la întreprinderea locală de furnizare a utilităților** (contactul cu conductorii electrici poate provoca incendii sau electrocutare; deteriorarea unei conducte de gaz poate duce la explozii; spargerea unei conducte de apă provoacă pagube materiale sau poate provoca electrocutare)
- **Apucați mașina numai de mânerul izolat atunci când executați lucrări la care accesoriul ar putea nimeri conductorii ascunși sau propriul cablu de alimentare al mașinii** (contactul cu un conductor sub tensiune determină punerea sub tensiune a componentelor metalice ale mașinii și duce la electrocutare)
- **Nu prelucrați materiale care conțin azbest** (azbestul este considerat a fi cancerigen)
- **Luați măsuri de protecție dacă în timpul lucrului se pot produce pulberi nocive, inflamabile sau explozibile** (anumite pulberi sunt considerate a fi cancerigene); purtați o mască de protecție împotriva prafului și folosiți o instalație de aspirare a prafului/așchiilor, în situația în care există posibilitatea racordării acestuia
- În cazul în care cordonul este deteriorat sau secționat în timpul lucrului, nu atingeți cordonul, dar deconectați imediat de la priză
- Nu folosiți scula atunci când cordonul sau prezintă defecțiuni; înlocuirea lor se va efectua de o persoană autorizată
- Asigurați-vă că scula are contactul întrerupt atunci când o conectați la priză (aparatele 230 V și 240 V pot fi conectate la rețeaua de 220 V)
- Dacă burghiul se blochează brusc (ceea ce cauzează o reacție periculoasă) trebuie să opriți imediat aparatul
- Tineți socoteala de forțele care se creează ca urmare a blocării (mai ales la găurirea în metal); **folosiți întotdeauna mânerul auxiliar H ②** și luați o poziție stabilă
- **Decuplați întotdeauna ștecherul de la sursa de alimentare înainte de a face o reglare sau o schimbare de accesoriu**

## UTILIZAREA

- Pornit/oprit ④
- Întrerupător-blocare pentru uz continuu ⑤
- Control de viteză pentru start încet ⑥
- Reglajul vitezei maxime ⑦  
Potențiometrul rotativ B ② asigură reglajul continuu al vitezei maxime de la minimum la maximum
- Schimbarea direcției de rotație ⑧
  - dacă pârghia nu se așază în poziția corectă stânga/dreapta, întrerupător A nu va putea fi acționat
- **! schimbați direcția de rotație abia atunci când aparatul este complet oprit**
- Selectarea modului de funcționare ⑨
  - apăsați butonul F pentru a debloca întrerupătorul E
  - rotiți întrerupătorul E în modul de funcționare dorit până când se autoblochează

## ! începeți să lucrați numai când întrerupătorul E este blocat

- 1 = găurire normală/înșurubare
- 2 = găurire cu rotopercuție
- 3 = dăltuire cu daltă rotativă
- 4 = dăltuire cu daltă fixă

## ! selectați modul de funcționare numai după ce a fost oprit aparatul

- pentru găurire în lemn, metal și material plastic, deasemenea pentru înșurubarea vor fi folosite adaptorul corespunzător (vezi: Sfaturi pentru utilizare)
- mecanismul de perforare este pus în funcțiune prin apăsarea ușoară a sculei, în momentul în care vârful burghiului se găsește în contact cu piesa de prelucrat
- cele mai bune rezultate de perforare pot fi obținute numai prin ușoara apăsare a sculei, îndeajuns necesară să fie menținut cuplajul automat; prestațiile de perforare nu vor fi mai bune prin apăsarea mai puternică a sculei: SKIL LASĂ SCULA SĂ LUCREZE PENTRU DUMNEAVOASTRĂ
- Dăltuire cu daltă rotativă ⑩
  - ! **opriți instrumentul și scoateți-l din priză**
  - selectați modul de dăltuire rotativă
- Dăltuire cu daltă fixă ⑪
  - ! **opriți instrumentul și scoateți-l din priză**
  - selectați modul de dăltuire rotativă
  - așezați daltă în poziția dorită
  - selectați modul de dăltuire fixă
- Înlocuirea biți ⑫
  - înainte de a insera, curățați și ungeți ușor accesoriile
  - trageți înapoi manșonul de blocare G și inserați accesoriul în SDS+ mandrină; în timp ce-l rotiți, împingeți până ce acesta s-a angajat; accesoriul se blochează automat în poziție
  - trageți de accesoriu pentru a verifica dacă acesta s-a blocat corect
  - îndepărtați accesoriul prin tragerea înapoi a manșonului de blocare G
  - ! **SDS+ accesoriul necesită libertate de mișcare, ceea ce cauzează excentricitate atunci când scula funcționează în gol; oricum accesoriul se centrează automat în timpul prelucrării, fără să afecteze precizia de găurire**
  - ! **nu folosiți biți/dălți cu coadă deteriorată**
- Cuplaj de siguranță
- Întrerupe transmisia la fus, în cazul în care se blochează accesoriul (ceea ce cauzează un zgomot caracteristic)
  - întrerupeți imediat scula
  - înlăturați accesoriul blocată
  - puneți scula din nou în funcțiune
- Reglajul adâncimii de găurire ⑬
- Mănuirea și dirijarea sculei ⑭
  - **folosiți întotdeauna mânerul auxiliar H** ② (care trebuie să fie ajustat așa cum apare în schemă)
  - păstrați deschise fantele de ventilație
  - nu exercitați prea multă presiune asupra aparatului; lăsați aparatul să funcționeze

## SFATURI PENTRU UTILIZARE

- Folosiți biți juste ⑮
  - ! **folosiți numai biți/dălți ascuțiți**
- Pentru găurire în lemn, metal și material plastic, cât și pentru înșurubare, folosiți adaptorul corespunzător (accesoriu SKIL 2610395660) ⑯
  - înainte de a insera, curățați și ungeți ușor adaptorul
  - trageți înapoi manșonul de blocare G ② și inserați adaptorul în SDS+ mandrină; în timp ce-l rotiți, împingeți până ce acesta s-a angajat; adaptorul se blochează automat în poziție
  - trageți de adaptor pentru a verifica dacă acesta s-a blocat corect
  - alegeți întrerupătorul E ② pentru găurire normală **(se acționează numai atunci când scula este comutată pe poziția oprit)**
- La găurirea în metale feroase
  - când este necesară găurirea la un diametru mare, efectuați întâi o găurire intermediară, la diametru mai mic
  - ungeți cu ulei din când în când burghiul
- Atunci când doriți să suciți un șurub la marginea, colțul, capătul lemnului, se recomandă să faceți o gaură cu instrumentul de găurit pentru a evita crăparea lemnului
- Găurire așchiată în lemn ⑰
- Găurire în ziduri fara praf ⑱
- Găurire în plafone fara praf ⑲
- Găurire în tigle fara a aluneca ⑳
- A se vedea alte recomandări la [www.skileurope.com](http://www.skileurope.com)

## GARANȚIE / MEDIUL

- Păstrați aparatul și cablul curat (mai ales fantele de ventilație)
  - ! **deconectați de la priză înainte de a curăța**
- Acest aparat SKIL este garantat conform regulamentelor pe țări; defecțiunii cauzate de uzaj normal, supraîncărcare sau mod de folosire inadecvat se înscriu în afara garanției
- În caz de reclamații trimiteți scula în **totalitatea lui** cu bonul de cumpărare la dealer sau la centru de service SKIL cel mai apropiat (adrese și diagrame de service se găsesc la [www.skileurope.com](http://www.skileurope.com))
- **Nu aruncați sculele electrice, accesoriile sau ambalajele direct la pubelele de gunoi** (numai pentru țările din Comunitatea Europeană)
  - Directiva Europeană 2002/96/EC face referire la modul de aruncare a echipamentelor electrice și electronice și modul de aplicare a normelor în conformitate cu legislația națională; sculele electrice în momentul în care au atins un grad avansat de uzură și trebuie aruncate, ele trebuie colectate separat și reciclate într-un mod ce respectă normele de protecție a mediului inconjurător
  - simbolul ㉑ vă va reaminti acest lucru

## УВОД

- Този инструмент е предназначен за ударно пробиване на бетон, тухла и камък, както и за използване като леко длето; за пробиване на дърво, метал и пластмаса, както и за завиване на винтове, трябва да се използват специални крайници
- Ударната система на този инструмент превъзхожда всички традиционни пробивни системи с хрупав механизъм при пробиването на бетон
- Този инструмент е проектиран за работа в комбинация с всички стандартни SDS+ крайници
- Прочетете и пазете това ръководство за работа ③

## ТЕХНИЧЕСКИ ПАРАМЕТРИ ①

### ЕЛЕМЕНТИ НА ИНСТРУМЕНТА ②

- A Спусък за включване/изключване и регулиране на скоростта
- B Диска за регулиране на максимална скорост
- C Бутон за застопоряване на включващия спусък
- D Лост за смяна посоката на движение
- E Превключвател за избор на режим на работа
- F Деблокиращ бутон
- G Затягаща втулка
- H Помощна ръчка

## БЕЗОПАСНОСТ

### ОБЩИ УКАЗАНИЯ ЗА БЕЗОПАСНА РАБОТА

**⚠ ВНИМАНИЕ!** Прочетете внимателно всички указания. Неспазването на приведените по долу указания може да доведе до токов удар, пожар и/или тежки травми. **Съхранявайте тези указания на сигурно място.** Използваният по-долу термин "електроинструмент" се отнася до захранвани от електрическата мрежа електроинструменти (със захранващ кабел).

#### 1) БЕЗОПАСНОСТ НА РАБОТНОТО МЯСТО

- a) **Поддържайте работното си място чисто и подредено.** Безпорядъкът или недостатъчното осветление могат да спомогнат за възникването на трудова злополука.
- b) **Не работете с електроинструмента в среда с повишена опасност от възникване на експлозия, в близост до леснозапалими течности, газове или прахообразни материали.** По време на работа в електроинструментите се отделят искри, които могат да възпламенят прахообразни материали или пари.

- c) **Дръжте деца и странични лица на безопасно разстояние, докато работите с електроинструмента.** Ако вниманието Ви бъде отклонено, може да загубите контрола над електроинструмента.
- #### 2) БЕЗОПАСНОСТ ПРИ РАБОТА С ЕЛЕКТРИЧЕСКИ ТОК
- a) **Щепселът на електроинструмента трябва да е подходящ за ползвания контакт. В никакъв случай не се допуска изменение на конструкцията на щепсела. Когато работите със занулени електроуреди, не използвайте адаптери за щепсела.** Ползването на оригинални щепсели и контакти намалява риска от възникване на токов удар.
  - b) **Избягвайте допира на тялото Ви до заземени тела, напр. тръби, отоплителни уреди, пещи и хладилници.** Когато тялото Ви е заземено, рискът от възникване на токов удар е по-голям.
  - c) **Предпазвайте електроинструмента си от дъжд и влага.** Проникването на вода в електроинструмента повишава опасността от токов удар.
  - d) **Не използвайте захранващия кабел за цели, за които той не е предвиден, напр. за да носите електроинструмента за кабела или да извадите щепсела от контакта. Предпазвайте кабела от нагряване, омасляване, допир до остри ръбове или до подвижни звена на машини.** Повредени или усукани кабели увеличават риска от възникване на токов удар.
  - e) **Когато работите с електроинструмент навън, използвайте само удължителни кабели, предназначени за работа на открито.** Използването на удължител, предназначен за работа на открито, намалява риска от възникване на токов удар.
  - f) **Ако се налага използването на електроинструмента във влажна среда, използвайте предпазен прекъсвач за утечни токове.** Използването на предпазен прекъсвач за утечни токове намалява опасността от възникване на токов удар.
- #### 3) БЕЗОПАСЕН НАЧИН НА РАБОТА
- a) **Бъдете концентрирани, следете внимателно действията си и постъпвайте предпазливо и разумно. Не използвайте електроинструмента, когато сте уморени или под влиянието на наркотични вещества, алкохол или упойващи лекарства.** Един миг разсеяност при работа с електроинструмент може да има за последствие изключително тежки наранявания.
  - b) **Работете с предпазващо работно облекло и винаги с предпазни очила.** Носенето на подходящи за ползвания електроинструмент и извършваната дейност лични предпазни средства, като дихателна маска, здрави плътнотатворени обувки със стабилен грайфер, защитна каска или шумозаглушители (антифони), намалява риска от възникване на трудова злополука.

- c) **Избягвайте опасността от включване на електроинструмента по невнимание. Преди да включите щепсела в захранващата мрежа, се уверявайте, че пусковият прекъсвач е в положение изключено.** Ако, когато носите електроинструмента, държите пръста си върху пусковия прекъсвач, или ако подавате захранващо напрежение на електроинструмента, когато е включен, съществува опасност от възникване на трудова злополука.
- d) **Преди да включите електроинструмента, се уверявайте, че сте отстранили от него всички помощни инструменти и гаечни ключове.** Помощен инструмент, забравен на въртящо се звено, може да причини травми.
- e) **Не надценявайте възможностите си. Работете в стабилно положение на тялото и във всеки момент поддържайте равновесие.** Така ще можете да контролирате електроинструмента по-добре и по-безопасно, ако възникне неочаквана ситуация.
- f) **Работете с подходящо облекло. Не работете с широки дрехи или украшения. Дръжте косата си, дрехите и ръкавици на безопасно разстояние от въртящи се звена на електроинструментите.** Широките дрехи, украшенията, дългите коси могат да бъдат захванати и увлечени от въртящи се звена.
- g) **Ако е възможно използването на външна аспирационна система, се уверявайте, че тя е включена и функционира изправно.** Използването на аспирационна система намалява рисковете, дължащи се на отделящата се при работа прах.
- 4) ВНИМАТЕЛНО ОТНОШЕНИЕ КЪМ ЕЛЕКТРОИНСТРУМЕНТА**
- a) **Не претоварвайте електроинструмента. Използвайте електроинструментите само съобразно тяхното предназначение.** Ще работите по-добре и по-безопасно, когато използвате подходящия електроинструмент в зададения от производителя диапазон на натоварване.
- b) **Не използвайте електроинструмент, чиито пусков прекъсвач е повреден.** Електроинструмент, който не може да бъде изключван и включван по предвидения от производителя начин, е опасен и трябва да бъде ремонтиран.
- c) **Преди да промените настройките на електроинструмента, да замените работни инструменти и допълнителни приспособления, както и когато продължително време няма да използвате електроинструмента, изключвайте щепсела от захранващата мрежа.** Тази мярка премахва опасността от задействане на електроинструмента по невнимание.
- d) **Съхранявайте електроинструментите на места, където не могат да бъдат достигнати от деца. Не допускайте те да бъдат използвани от лица, които не са запознати с начина на работа с тях и не са прочели тези инструкции.** Когато са в ръцете на неопитни потребители, електроинструментите могат да бъдат изключително опасни.
- e) **Поддържайте електроинструментите си грижливо. Проверявайте дали подвижните звена функционират безукорно, дали не заклинват, дали има счупени или повредени детайли, които нарушават или изменят функциите на електроинструмента. Преди да използвате електроинструмента, се погрижете повредените детайли да бъдат ремонтирани.** Много от трудовете злополуки се дължат на недобре поддържани електроинструменти и уреди.
- f) **Поддържайте режещите инструменти винаги добре заточени и чисти.** Добре поддържаните режещи инструменти с остри ръбове оказват по-малко съпротивление и се водят по-леко.
- g) **Използвайте електроинструментите, допълнителните приспособления, работните инструменти и т.н., съобразно инструкциите на производителя. С дейности и процедури, евентуално предписани от различни нормативни документи.** Използването на електроинструменти за различни от предвидените от производителя приложения повишава опасността от възникване на трудови злополуки.
- 5) ПОДДЪРЖАНЕ**
- a) **Допускайте ремонтът на електроинструментите Ви да се извършва само от квалифицирани специалисти и само с използването на оригинални резервни части.** По този начин се гарантира съхраняване на безопасността на електроинструмента.

#### **УКАЗАНИЯ ЗА БЕЗОПАСНА РАБОТА ЗА ПЕРФОРАТОРА**

- **Носете антифони при работа с ударна бормашина** (силният шум може да увреди слуха Ви)
- **Използвайте допълнителната ръчка** (загубата на контрол може да бъде опасна)
- **Избягвайте повреди, които могат да бъдат причинени от винтове, гвоздеи и други метални елементи в обработвания детайл;** отстранете ги преди да започнете работа
- **Винаги отвеждайте захранващия кабел далеч от движещите се звена на електроинструмента**
- **Обезопасете работния материал** (материал, затегнат в затягащ инструмент или в менгеме е по-устойчив, отколкото ако се държи в ръка)
- **Преди да приберете инструмента, изключете мотора и се уверете, че всички движещи се части са преустановили движението**

- Използвайте напълно развити и безопасени разклонители с капацитет 16 A
- В случай на електрическа или механична неизправност, изключете незабавно апарата и прекъснете контакта с електрическата мрежа
- SKIL може да осигури безаварийна работа на електроинструмента само ако се използват оригинални допълнителни приспособления
- Използвайте само принадлежности, чиято допустима скорост на въртене е поголяма или равна на максималната скорост на въртене на празен ход на електроинструмента
- Машината не трябва да се използва от лица под 16 години
- **За да откриете скрити под повърхността електро-, водо- и газопроводи, използвайте подходящи уреди или се обърнете към местното снабдително дружество** (прекъсването на електропроводници под напрежение може да предизвика пожар и/или токов удар; увреждането на газопровод може да предизвика експлозия; засягането на водопровод може да предизвика значителни материални щети и/или токов удар)
- **Ако изпълнявате дейности, при които съществува опасност работният инструмент да попадне на скрити проводници под напрежение или да засегне захранващия кабел, допирайте електроинструмента само до електроизолираните ръкохватки** (при влизане на работния инструмент в контакт с проводници под напрежение то се предава по металните детайли на електроинструмента и това може да доведе до токов удар)
- **Не обработвайте азбестосъдържащ материал** (азбестът е канцерогенен)
- **Ако вследствие на извършваната дейност може да се отдели вреден за здравето, леснозапалим или взривоопасен прах, предварително взимайте подходящи предпазни мерки** (някои прахове са канцерогенни); работете с дихателна маска и, ако е възможно, включете аспирационна уредба
- Ако кабелът се повреди ил среже по време на работа, не го докосвайте, веднага изключете щепсела, никога не използвайте машината с повреден кабел
- Не използвайте инструмента, когато е повреден шуруйт; заменята му следва да се извърши от квалифицирано лице
- При включване в контакта, се уверете, че машината е изключена (електроинструменти с номинално напрежение 230V или 240V могат да бъдат включени и към захранване с напрежение 220V)
- Ако свредлото на пробивната машина неочаквано заседне (предизвиквайки внезапно, опасно противодействие), незабавно изключете електроинструмента

- Имайте предвид силите, които възникват в резултат на засядане на свредлото (особено при пробиване на метали); **винаги използвайте спомагателна ръчка Н ②** и поддържайте устойчиво положение на тялото
- **Преди извършването на каквато и да било настройка или смяна на принадлежност винаги изваждайте щепсела от контакта на електрозахранването**

## УПОТРЕБА

- Включване/изключване ④
- Застопоряване на включващия спусък за непрекъсната работа ⑤
- Регулиране на скоростта за плавно пускане в ход ⑥
- Управление на максималната скорост ⑦
- Диска В ② максималната скорост може да се регулира плавно от минимална до максимална стойност
- Обръщане на посоката на въртене ⑧
  - ако лостът не е точно в положение включване/изключване, спусъкът А не може да бъде активиран
- ! **обръщайте посоката на въртене само когато електроинструментът е напълно спрял**
- Избор на режим на работа ⑨
  - натиснете бутон F, за да деблокирате превключвателя E
  - включете превключвател E на желания работен режим, докато блокира с щракване
- ! **започвайте работа само когато превключвателят E е блокиран**
  - 1 = нормално пробиване/завиване на винтове
  - 2 = ударно пробиване
  - 3 = изсичане с въртящ се секач
  - 4 = изсичане с неподвижен секач
- ! **избирайте режим на работа само при изключен електроинструмент**
  - за пробиване на дърво, метал и пластмаса, както и за завиване на винтове трябва да се използват подходяща приставка (виж: Указания за работа)
  - ударният механизъм се задейства с леко натискане на инструмента, когато свредлото е в контакт с работната повърхност
  - най-добро ударно пробиване се получава само с лек натиск на инструмента, колкото е необходимо да се поддържа автоматичната муфта в защитено положение; скоростта на пробиване няма да се увеличи, ако се натиска по-силно инструмента: SKIL ОСТАВА ИНСТРУМЕНТА ДА РАБОТИ ЗА ВАС
- Изсичане с въртящ се секач ⑩
  - ! **изключете инструмента и извадете захранващия кабел**
  - изберете "въртящ" режим на изсичане



- Изсичане с неподвижен секач <sup>11</sup>
  - ! **изключете инструмента и извадете захранващия кабел**
  - изберете “въртящ” режим на изсичане
  - поставете секача в желаната позиция
  - изберете “неподвижен” режим на изсичане
- Смяна на бит <sup>12</sup>
  - почистете и леко смажете найкрайника преди поставянето му
  - изтеглете назад затягащата втулка G и пхнете найкрайника в затягащия патрон SDS+, като го въртите и натискате докато зацели; найкрайникът се захваща автоматично в нужното положение
  - дръпнете найкрайника, за да проверите дали е захванат правилно
  - свалете найкрайника като изтеглите назад затягащата втулка G
  - ! **найкрайникът SDS+ изисква свобода на движението, която предизвиква ексцентричност, когато инструментът не е наточен; при работа обаче найкрайникът се центрира автоматично без да нарушава точността на пробиване**
  - ! **не използвайте бит/длета с повредена опашка**
- Предпазна муфта
  - Прекъсва задвижването на вретеното, ако найкрайникът заяде (предизвиквайки тракане)
  - незабавно изключете инструмента
  - свалете залялия найкрайник
  - включете инструмента отново
- Регулiranje на дълбочината на пробиване <sup>13</sup>
- Държане и насочване на инструмента <sup>14</sup>
  - винаги използвайте спомагателна ръчка Н <sup>2</sup> (наглася се както е показано на илюстрацията)
  - оставайте вентилационните отвори непокрити
  - не прилагайте твърде голям натиск върху електроинструмента; нека той да свърши работата вместо вас

## УКАЗАНИЯ ЗА РАБОТА

- Използвайте подходящи бит <sup>15</sup>
  - ! **използвайте само остри бит/длета**
- За пробиване на дърво, метал и пластмаса, както за завиване на винтове трябва да се използва подходяща приставка (приспособление SKIL 2610395660) <sup>16</sup>
  - почистете и леко смажете приставката преди поставянето ѝ
  - изтеглете назад затягащата втулка G <sup>2</sup> и пхнете приставката в SDS+ патрона, като въртите и натискате докато зацели; приставката се захваща автоматично в нужното положение
  - дръпнете приставката, за да проверите дали е захваната правилно
  - поставете превключвателя Е <sup>2</sup> в положение “нормално пробиване” (**работи само ако инструментът е изключен**)

- При пробиване на цветни метали
  - ако ви трябва голям отвор, първо пробийте малък
  - от време на време смазвайте свредлата с машинно масло
- При завиване на винт в близост до ръба на дървен детайл първо пробийте отвор, за да избегнете откътрване на дървото
- Пробиване в дърво без откътрване на ръбчето <sup>17</sup>
- Безпрахово пробиване в стени <sup>18</sup>
- Безпрахово пробиване в тавани <sup>19</sup>
- Пробиване на керамични плочки без плъзгане на свредлото <sup>20</sup>
- За повече полезни указания вж. [www.skileurope.com](http://www.skileurope.com)

## ГАРАНЦИЯ / ОПАЗВАНЕ НА ОКОЛНАТА СРЕДА

- Поддържайте винаги електроинструмента и захранващия кабел чисти (особено вентилационните отвори)
  - ! **преди почистване изключете щепсела**
- Това изделие на SKIL е с гаранция в съответствие със законно установените/специфични за страната правила; гаранцията не се отнася до повреди, дължащи се на нормално износване, претоварване или неправилно боравене с електроинструмента
- В случай на рекламация занесете инструмента в неразглобен вид заедно с доказателство за покупката му в търговския обект, откъдето сте го закупили, или в най-близкия сервиз на SKIL (адресите, както и схемата за сервизно обслужване на електроинструмента, можете да намерите на адрес [www.skileurope.com](http://www.skileurope.com))
- **Не изхвърляйте електроуредите, приспособленията и опаковките заедно с битови отпадъци** (само за страни от ЕС)
  - съобразно Директивата на ЕС 2002/96/EG относно износени електрически и електронни уреди и отразяването ѝ в националното законодателство износените електроуреди следва да се събират отделно и да се предават за рециклиране според изискванията за опазване на околната среда
  - за това указва символът <sup>21</sup> тогава когато трябва да бъдат унищожени

SK

Vřtací kladivo

1765

## ÚVOD

- Tento nástroj sa má používať na príklepové vřtanie do betónu, tehly a kameňa, ako aj na ľahké sekanie; na vřtanie do dreva kovu a plastického materiálu ako aj na skrútkovanie by sa malo používať špeciálne príslušenstvo

- Prílepový systém na tomto nástroji má pri vrtní do betónu lepší výkon ako ktorákoľvek ručná vrtačka
- Tento nástroj sa môže používať v kombinácii so všetkými štandardnými SDS+ príslušenstvami
- Prečítajte a uschovajte tento návod na použitie ③

## TECHNICKÉ ŠPECIFIKÁCIE ①

### ČASTI NÁSTROJA ②

- A Prepínač zapnúť/vypnúť a regulácia rýchlosti
- B Koliesko na nastavenie maximálnej rýchlosti
- C Gombík na uzamknutie vypínača
- D Páčka na zmenu smeru otáčania
- E Prepínač na voľbu pracovného režimu
- F Tlačidlo odblokovania
- G Zamykacia objímka
- H Pomocná rukoväť

## BEZPEČNOSŤ

### VŠEOBECNÉ BEZPEČNOSTNÉ POKYNY

**⚠ POZOR!** Prečítajte si všetky výstražné upozornenia a bezpečnostné pokyny. Zanedbanie dodržiavania výstražných upozornení a pokynov uvedených v nasledujúcom texte môže mať za následok zásah elektrickým prúdom, spôsobiť požiar a/alebo ťažké poranenie. **Tieto výstražné upozornenia a bezpečnostné pokyny starostlivo uschovajte na budúce použitie.** Pojem ručné "elektrické náradie" používaný v nasledujúcom texte sa vzťahuje na ručné elektrické náradie napájané zo siete (s prírodnou šnúrou).

#### 1) BEZPEČNOSŤ NA PRACOVISKU

- a) **Udržiavajte svoje pracovisko čisté a upratané.** Neporiadok na pracovisku alebo neosvetlené časti pracoviska môžu viesť k úrazom.
- b) **Nepracujte elektrickým náradím v prostredí ohrozenom výbuchom, v ktorom sa nachádzajú horľavé kvapaliny, plyny alebo prach.** Elektrické náradie produkuje iskry, ktoré môžu prach alebo pary zapáliť.
- c) **Deti a iné osoby udržiavajte počas práce od ručného elektrického náradia v dostatočnej vzdialenosti.** V prípade odpútania Vašej pozornosti by ste mohli stratiť kontrolu nad náradím.

#### 2) ELEKTRICKÁ BEZPEČNOSŤ

- a) **Zástrčka prírodnej šnúry sa musí hodiť do napájacej zásuvky. Zástrčka sa v žiadnom prípade nesmie meniť. Pri uzemnených spotrebičoch nepoužívajte spolu s nimi žiadne adaptéry.** Nezmenená zástrčka a vhodná zásuvka znižujú riziko zásahu elektrickým prúdom.
- b) **Vyhýbajte sa telesnému kontaktu s povrchovými plochami uzemnených spotrebičov, ako sú elektrické rúry, vyhrievacie telesá, sporáky a chladničky.** Keď je Vaše telo uzemnené, riziko zásahu elektrickým prúdom je vyššie.

- c) **Chráňte ručné elektrické náradie pred dažďom a vlhkom.** Vniknutie vody do ručného elektrického náradia zvyšuje riziko zásahu elektrickým prúdom.
- d) **Nepoužívajte prírodnú šnúru na prenášanie náradia, na jeho vešanie, ani za ňu nevyťahujte zástrčku zo zásuvky. Prírodnú šnúru chráňte pred horúčavou, olejom, ostrými hranami alebo pohybujúcimi sa časťami náradia.** Poškodené alebo zauzlené šnúry zvyšujú riziko zásahu elektrickým prúdom.
- e) **Ak pracujete s ručným elektrickým náradím vonku, používajte len také predlžovacie šnúry, ktoré sú schválené pre používanie vo vonkajších priestoroch.** Používanie predlžovacej šnúry určenej do vonkajšieho prostredia znižuje riziko zásahu elektrickým prúdom.
- f) **Ak sa nedá vyhnúť použitiu ručného elektrického náradia vo vlhkom prostredí, použite prerušovač uzemňovacieho obvodu.** Používanie prerušovača uzemňovacieho obvodu znižuje riziko zásahu elektrickým prúdom.

#### 3) BEZPEČNOSŤ OSŮB

- a) **Buďte pozorní, dávajte pozor na to, čo robíte a k práci s elektrickým náradím pristupujte rozumne. Nepoužívajte elektrické náradie, keď ste unavení alebo keď ste pod vplyvom drog, alkoholu alebo liekov.** Chvíľa nepozornosti pri používaní náradia môže viesť k vážnym poraneniam.
- b) **Noste osobné ochranné pomôcky, ochranný odev a vždy majte nasadené ochranné okuliare.** Nosenie pracovného odevu a používanie ochranných pomôcok ako ochrannej dýchacej masky, bezpečnostných protišmykových topánok, prilby alebo chrániča sluchu, podľa druhu elektrického náradia, znižuje riziko poranenia.
- c) **Vyhýbajte sa neúmyselnému uvedeniu ručného elektrického náradia do činnosti. Pred zasunutím zástrčky do zásuvky, pred chytením alebo prenášaním ručného elektrického náradia sa vždy presvedčte sa, či je ručné elektrické náradie vypnuté.** Ak budete mať pri prenášaní ručného elektrického náradia prst na vypínači, alebo ak ručné elektrické náradie pripojíte na elektrickú sieť zapnutú, môže to mať za následok nehodu.
- d) **Skôr ako ručné elektrické náradie zapnete, odstráňte nastavovacie a montážne nástroje.** Nástroj alebo kľúč, ktorý sa nachádza v pohyblivej časti náradia, môže spôsobiť poranenie.
- e) **Neprečunujte sa. Zabezpečte si pevný postoj a neprestajne udržiavajte rovnováhu.** Takto budete môcť ručné elektrické náradie v neočakávaných situáciách lepšie kontrolovať.
- f) **Pri práci noste vhodný pracovný odev. Nenoste široké odevy a nemajte na sebe šperky. Dbajte na to, aby ste mali vlasy, odev a rukavice v dostatočnej vzdialenosti od pohybujúcich sa častí náradia.** Pohybujúce sa časti náradia by mohli zachytiť voľné oblečenie, šperky alebo dlhé vlasy.

- g) **Ak možno namontovať zariadenie na odsávanie alebo zachytávanie prachu, presvedčíte sa, či je pripojené a správne používané.** Používanie odsávacieho zariadenia a zariadenia na zachytávanie prachu znižuje riziko ohrozenia zdravia prachom.
- 4) **STAROSTLIVÉ ZAOBCHÁDZANIE S ELEKTRICKÝM NÁRADÍM A JEHO POUŽÍVANIE**
- a) **Náradie nepreťažujte.** Pre svoju prácu používajte určené elektrické náradie. Pomocou vhodného ručného elektrického náradia budete môcť v uvedenom rozsahu výkonu pracovať lepšie a bezpečnejšie.
- b) **Nepoužívajte žiadne ručné elektrické náradie, ktoré má pokazený vypínač.** Ručné elektrické náradie, ktoré sa už nedá zapínať alebo vypínať, je nebezpečné a treba ho dať opraviť.
- c) **Skôr ako budete náradie nastavovať alebo meniť príslušenstvo, resp. pred každým odložením náradia vyťahnite zástrčku zo zásuvky.** Toto bezpečnostné opatrenie zabraňuje neúmyselnému spusteniu náradia.
- d) **Nepoužívané ručné elektrické náradie uschovávajúte mimo dosahu detí.** Nedopusťte, aby ručné elektrické náradie používali osoby, ktoré s ním nie sú dôkladne oboznámené, alebo ktoré si neprečítali tento Návod na používanie. Ak ručné elektrické náradie používajú neskúsené osoby, stáva sa nebezpečným nástrojom.
- e) **Elektrické náradie starostlivo ošetríte. Skontrolujte, či pohyblivé súčiastky náradia bezchybne fungujú a neblokujú a či nie sú zlomené alebo poškodené niektoré súčiastky, ktoré by mohli negatívne ovplyvniť fungovanie ručného elektrického náradia. Pred použitím ručného elektrického náradia dajte poškodené súčiastky opraviť.** Nejedem úraz bol spôsobený zle udržiavaným náradím.
- f) **Používané nástroje udržiavajte ostré a čisté.** Starostlivo ošetrované nástroje s ostrými reznými hranami sa menej často zablokujú a ich vedenie je podstatne ľahšie.
- g) **Používajte ručné elektrické náradie, príslušenstvo, pracovné nástroje a pod. podľa týchto pokynov. Zohľadnite pritom konkrétne pracovné podmienky a činnosť, ktorú máte vykonať.** Používanie ručného elektrického náradia na iné ako určené účely môže viesť k nebezpečným situáciám.
- 5) **SERVIS**
- a) **Ručné elektrické náradie zverte do opravy len kvalifikovanému personálu a používajte len originálne náhradné súčiastky.** Tým sa zabezpečí zachovanie bezpečnosti ručného elektrického náradia.

## BEZPEČNOSTNÉ POKYNY PRE VŔTACIEKLADIVÁ

- **Používajte chrániče sluchu s príklepovú vŕtačku** (nadmerný hluk môže zapríčiniť stratu sluchu)
- **Používajte pomocná rukoväť dodávanú s náradím** (strata kontroly môže spôsobiť vznik úrazu)
- **Zabráňte poškodeniu náradia skrutkami, klincami a inými kovovými predmetmi v obrobku; zoberte ich dole prv než začnete pracovať**

- Elektrickú šnúru udržiajte vždy mimo pohybujúcich sa častí nástroja
- **Zaistíte obrábaný diel** (obrábaný diel uchytentý pomocou upínacích zariadení alebo vo zveráku je oveľa bezpečnejší kým v ruke)
- **Skôr než nástroj položíte, presvedčte sa že je motor vypnutý a že sú všetky pohyblivé súčiastky zastavené**
- **Používajte úplne odmotanú a bezpečnú predlžovaciu šnúru s kapacitou 16 A**
- **V prípade elektrickej alebo mechanickej poruchy zastavte okamžite nástroj a vyťahnite zástrčku z nástennej zásuvky**
- **SKIL zabezpečí hladký chod nástroja len ak sa používa pôvodné príslušenstvo**
- **Používajte iba príslušenstvo, u ktorého hodnota prípustných obrátok zodpovedá minimálne najvyšším obrátkam náradia**
- **Tento nástroj by nemali používať osoby mladšie ako 16 rokov**
- **Na vyhľadanie skrytých elektrických vedení, plynových a vodovodných potrubí použite vhodné hľadacie prístroje, alebo sa spojte s príslušným dodávateľom** (kontakt s elektrickým vedením môže mať za následok vznik požiaru alebo spôsobiť zásah elektrickým prúdom; poškodenie plynového potrubia môže spôsobiť výbuch; prevrtanie vodovodného potrubia spôsobí vecné škody, alebo môže spôsobiť zásah elektrickým prúdom)
- **Elektrické náradie držte za izolované plochy rukoväti pri vykonávaní takej práce, pri ktorej by mohol nástroj natrafiť na skryté elektrické vedenia alebo zasiahnuť vlastnú prívodnú šnúru náradia** (kontakt s vedením, ktoré je pod napätím, spôsobí, že aj kovové súčiastky náradia sa dostanú pod napätie, čo má za následok zásah elektrickým prúdom)
- **Neobrábajte materiál, ktorý obsahuje azbest** (azbest sa považuje za rakovinotvorný materiál)
- **Ak by pri práci mohol vzniknúť zdraviu škodlivý, horľavý alebo výbušný prach, vykonajte potrebné ochranné opatrenia** (niektoré druhy prachu sa považujú za rakovinotvorné); noste ochrannú dýchaciu masku a v prípade možnosti pripojenia používajte aj zariadenie na odsávanie prachu a triesok
- **Ak je sieťová šnúra poškodená alebo ak sa prereže počas prevádzky, nedotýkajte sa jej ale ju ihneď odpojte z hlavnej elektrickej siete**
- **Nikdy nepoužívajte nástroj ak je šnúra poškodená; šnúru musí vymeniť kvalifikovaná osoba**
- **Vždy skontrolujte či je napätie elektrického prúdu rovnaké ako napätie na štítiku nástroja (nástroj s menovaným napätím 230V alebo 240V sa môže napojiť aj na 220V-ový prúd)**
- **Ak sa hrot vŕtáka neočakávanne vzpriechi (a spôsobí náhlu, nerokávajú reakciu), tak nástroj ihneď vypnite**

- Uvedomte si veľkosť síl vyvolaných vzpričením, (zvlášť pri vŕtaní kovov); **vždy použite pomocná rukoväť H ②** a stojne bezpečne
- **Pri nastavovaní alebo výmene príslušenstva vždy vyťahnite prírodný kábel zo zásuvky**

## POUŽITIE

- Zapínanie/vypínanie ④
  - Uzamknutie vypínača pri nepretržitom užívaní ⑤
  - Regulácia rýchlosti na hladké zapnutie ⑥
  - Maximálne riadenie rýchlosti otáčok ⑦  
Pomocou kolieska B ② je možné plynulo nastaviť rýchlosť otáčok od minima po maximum
  - Zmena smeru otáčania ⑧
    - ak nie je správne nastavená v polohe vľavo/vpravo, spínač A sa nedá aktivovať
- ! zmeňte smer otáčania len keď je nástroj úplne nečinný**

- Voľbu pracovného režimu ⑨
  - ak chcete odblokovať prepínač E, stlačte tlačidlo F
  - otočte prepínač E do požadovaného pracovného režimu, kým nezaklapne

### **! zariadenie sa spustí len ak je prepínač E zablokovaný**

- 1 = normálne vŕtanie/skrutkovanie
- 2 = príklepové vŕtanie
- 3 = sekanie rotačným sekáčom
- 4 = sekanie fixným sekáčom

### **! voľte pracovný režim len keď je náradie vypnuté**

- na vŕtanie do dreva, kovu a plastického materiálu ako aj na skrutkovanie by sa mal používať príslušný adaptér (pozrite Radu na použitie)
- príklepový mechanizmus sa zapojí jemným pritlačením na nástroj keď sa vrták dotkne obrobku
- najlepšie výsledky pri príklepovom vŕtaní sa dosiahnu vtedy, ak sa automatická spojka zapojí len jemným pritlačením; výkon sa nezlepší ak sa bude vrták tlačiť silnejšie: DOVOLTE NÁSTROJU SKIL UROBIŤ PRÁCU ZA VÁS
- Sekanie rotačným sekáčom ⑩
  - ! nástroj vypnite a vyťahnite zo zásuvky**
  - zvolte "rotačný" režim sekania
- Sekanie fixným sekáčom ⑪
  - ! nástroj vypnite a vyťahnite zo zásuvky**
  - zvolte "rotačný" režim sekania
  - vložte sekáč do požadovanej polohy
  - zvolte "fixný" režim sekania
- Ako vymeniť hroty ⑫
  - pred vložením príslušenstvo očistite a jemne natrite mazivom
  - zatiahnite zamykaciu objímku G smerom dozadu a vložte príslušenstvo do SDS+ upínača otáčaním a zatlačením ho až kým zapadne dnu; príslušenstvo sa automaticky pevne napojí na miesto
  - skontrolujte zatiahnutím či je príslušenstvo správne uzamknuté
  - príslušenstvo vyberte zatiahnutím zamykacej objímky G smerom dozadu

- ! príslušenstvo SDS+ sa musí voľne pohybovať a tým sa spôsobuje excentricita keď nie je nástroj zaťažený; napriek tomu sa príslušenstvo automaticky sústreďí do prostriedku počas prevádzky a presnosť vŕtania sa tým neovplyvní**
- ! nepoužívajte hroty/sekáče s poškodenou stopkou**


- Bezpečnostná spojka  
Preruší pohon vretena, ak sa príslušenstvo zasekne (spôsobí rachot)
  - ihneď nástroj vypnite
  - vyberte zaseknuté príslušenstvo
  - znovu nástroj zapnite
- Nastavenie hĺbky vŕtania ⑬
- Držanie a vedenie nástroja ⑭
  - **vždy použite pomocná rukoväť H ②** (má sa nastaviť podľa obrázku)
  - vetracie štrbiny udržiňte nezakryté
  - na nástroj príliš netlačte; nechajte nástroj robiť prácu za Vás

## RADU NA POUŽITIE

- Používajte vhodné hroty ⑬
- ! používajte len ostré hroty/sekáče**
- Na vŕtanie do dreva, kovu a plastického materiálu ako aj na skrutkovanie by sa mal používať príslušný adaptér (SKIL príslušenstvo 2610395660) ⑬
  - adaptér pred namontovaním očistite a jemne natrite mazivom
  - zatiahnite zamykaciu objímku G ② smerom dozadu a vložte adaptér do SDS+ upínača otáčaním a zatlačením ho až kým zapadne dnu; adaptér sa automaticky pevne napojí na miesto
  - skontrolujte zatiahnutím či je príslušenstvo správne uzamknuté
  - nastavte vypínač E ② na normálne vŕtanie (**prepínate len keď je nástroj nečinný**)
- Vŕtanie železných kovov
  - keď je treba vyvŕtať väčšiu dieru, najskôr predvŕtajte menšiu dieru
  - natrite vŕtacie hroty z času na čas olejom
- Pri zaťahovaní skrutky v blízkosti rezu alebo na hrane dreva by sa mala predvŕtať diera, aby sa zabránilo prasknutiu dreva
- Vŕtanie do dreva bez triesok ⑮
- Bezprachové vŕtanie do tehál ⑯
- Bezprachové vŕtanie do stropov ⑰
- Vŕtanie do kachličiek bez šmýkania ⑱
- Viac rád nájdete na [www.skileurope.com](http://www.skileurope.com)

## ZÁRUKA / ŽIVOTNÉ PROSTREDIE

- Nástroj a sieťová šnúru udržiajte stále čisté (zvlášť vetracie štrbiny)
- ! pred čistením odpojte z elektrickej siete**
- Tento SKIL výrobok je zaručený v súlade so zákonnými/ pre krajiny špecifickými reguláciami; poškodenie následkom normálneho upotrebenia, preťaženia, alebo nesprávneho zaobchádzania nebude zárukou kryté


- V prípade sťažnosti pošlite nástroj **bez rozmontovania** spolu s dôkazom o kúpe; vášmu dilerovi alebo do najbližšieho servisného strediska SKIL (zoznam adries servisných stredísk a servisný diagram nástroja sú uvedené na [www.skileurope.com](http://www.skileurope.com))
- **Elektrické náradie, príslušenstvo a balenia nevyhadzujte do komunálneho odpadu** (len pre štáty EÚ)
  - podľa európskej smernice 2002/96/EG o nakladaní s použitými elektrickými a elektronickými zariadeniami a zodpovedajúcich ustanovení právnych predpisov jednotlivých krajín sa použité elektrické náradie musí zbierať oddelene od ostatného odpadu a podrobiť ekologicky šetrnej recyklácii
  - pripomenie vám to symbol , keď ju bude treba likvidovať

HR

## Bušači čekić

1765

### UVOD

- Alat je predvíden za udarno bušenje u betonu, židu i kamenu, kao i za lakše radove s dlijetom; za radove bušenja u drvo, metal i plastiku, kao i za radove uvijanja vijaka treba se primijeniti poseban pribor
- Kod radova bušenja u betonu, sustav udarnog bušenja u ovom uređaju daje znatno veći učinak nego bilo koja uobičajena udarna bušilica
- Alat je predvíden za primjenu u kombinaciji sa svim standardnim SDS+ dijelovima pribora
- Pažljivo pročitajte i sačuvajte ove upute za rukovanje 


### TEHNIČKI PODACI

### DIJELOVI ALATA

- A Prekidač za uključivanje/isključivanje i za kontrolu brzine
- B Kotačić za kontrolu max. broja okretaja
- C Gumb za blokiranje prekidača
- D Ručica za promjenu smjera rotacije
- E Prekidač za biranje načina rada
- F Gumb za otključavanje
- G Sigurnosni prsten
- H Pomoćna ručka

## SIGURNOST

### OPĆE UPUTE ZA SIGURAN RAD

 **PAŽNJA!** Treba pročitati sve napomene o sigurnosti i upute. Ako se ne bi poštivala napomene o sigurnosti i upute to bi moglo uzrokovati strujni udar, požar i/ili teške ozljede. **Sačuvajte sve napomene o sigurnosti i upute za buduću primjenu.** U daljnjem tekstu korišten pojam "električni alat" odnosi se na električne alate s priključkom na električnu mrežu (s mrežnim kablom).

### 1) SIGURNOST NA RADNOM MJESTU

- Vaše radno područje održavajte čisto i uredno.**  
Nered ili neosvijetljeno radno područje mogu doći do nezgoda.
- S uređajem ne radite u okolini ugroženoj eksplozijom, u kojoj se nalaze zapaljive tekućine, plinovi ili prašina.** Električni alati proizvode iskre koje mogu zapaliti prašinu ili pare.
- Djecu i ostale osobe držite dalje tijekom korištenja električnog alata.** Ako bi skrenuli pozornost sa posla mogli bi izgubiti kontrolu nad uređajem.

- ELEKTRIČNA SIGURNOST**
  - Priključni utikač uređaja treba odgovarati utičnici.** Na utikaču se ni u kojem slučaju ne smiju izvoditi izmjene. Ne koristite adapterske utikače zajedno sa uređajima koji su zaštićeni uzemljenjem. Originalni utikač i odgovarajuće utičnice smanjuju opasnost od električnog udara.
  - Izbjegavajte dodir tijela s uzemljenim površinama kao što su cijevi, centralno grijanje, štednjaci i hladnjaci.** Postoji povećana opasnost od električnog udara ako je vašo tijelo uzemljeno.
  - Držite uređaj dalje od kiše ili vlage.** Prodiranje vode u električni uređaj povećava opasnost od električnog udara.
  - Priključni kabel ne koristite za nošenje, vješanje ili za izvlačenje utikača iz utičnice. Držite kabel dalje od izvora topline, ulja, oštih rubova ili pomičnih dijelova uređaja.** Oštećen ili usukan kabel povećava opasnost od električnog udara.
  - Ako s električnim uređajem radite na otvorenom, koristite samo produžni kabel odobren za uporabu na otvorenom.** Primjena produžnog kabla prikladnog za uporabu na otvorenom smanjuje opasnost od električnog udara.
  - Ako se ne može izbjeći uporaba električnog alata u vlažnoj okolini, upotrijebite sigurnosna sklopka za propuštanje u zemlju.** Upotrebom sigurnosne sklopke za propuštanje u zemlju smanjuje se opasnost od električnog udara.

### 3) SIGURNOST LJUDI

- Budite oprezni, pazite što činite i postupajte razumno kod rada s električnim alatom. Ne koristite uređaj ako ste umorni ili pod utjecajem opojnih sredstava, alkohola ili lijekova.** Trenutak nepažnje kod uporabe uređaja može doći do ozbiljnih ozljeda.
- Nosite sredstva osobne zaštite i uvijek zaštitne naočale.** Nošenje sredstava osobne zaštite, kao što je zaštitna maska, sigurnosne cipele koje ne klize, zaštitne kacige ili štitnika za sluh, ovisno od vrste i primjene električnog alata, smanjuje opasnost od nezgoda.
- Izbjegavajte nehotično puštanje u rad. Prije nego što ćete utaknuti utikač u utičnicu, provjerite je li električni alat isključen.** Ako kod nošenja električnog alata imate prst na prekidaču ili se uključeni uređaj priključi na električno napajanje, to može dovesti do nezgoda.

- d) **Prije nego što uređaj uključite, uklonite alate za podešavanje ili vijčane ključeve.** Alat ili ključ koji se nalazi u rotirajućem dijelu uređaja može doći do nezgoda.
- e) **Ne preporučite svoje sposobnosti. Zauzmite siguran i stabilan položaj tijela i držite u svakom trenutku ravnotežu.** Na taj način možete uređaj bolje kontrolirati u neočekivanim situacijama.
- f) **Nosite prikladnu odjeću. Ne nosite široku odjeću ili nakit. Neka vaša kosa, odjeća i rukavice budu što dalje od pomičnih dijelova.** Mlohavu odjeću, nakit ili dugu kosu mogu zahvatiti pomični dijelovi uređaja.
- g) **Ako se mogu montirati naprave za usisavanje i hvatanje prašine, provjerite da li su iste priključene i da li se pravilno koriste.** Primjena naprave za usisavanje može smanjiti ugroženost od prašine.
- 4) BRIŽLJIVA UPORABA ELEKTRIČNIH ALATA**
- a) **Ne preopterećujte uređaj. Koristite za vaše radove za to predviđen električni alat.** S odgovarajućim električnim alatom radit ćete bolje i sigurnije, u navedenom području učinka.
- b) **Ne koristite električni alat čiji je prekidač neispravan.** Električni alat koji se više ne može uključiti ili isključiti, opasan je i treba se popraviti.
- c) **Izvučite utikač iz utičnice prije nego što pristupite podešavanjima na uređaju, izmjeni pribora ili prije nego što odložite uređaj.** Ovim mjerama opreza spriječit će se nehotično pokretanje uređaja.
- d) **Nekoristišne električne alate spremite izvan doseg a djece. Ne dopustite da uređaj koriste osobe koje s njim nisu upoznate ili koje nisu pročitale upute za uporabu.** Električni alati su opasni ako ih koriste neiskusne osobe.
- e) **Uređaj održavajte s pažnjom. Kontrolirajte da li pomični dijelovi uređaja besprijekorno rade i da nisu zaglavljivi, te da li su dijelovi polomljeni ili tako oštećeni da negativno djeluju na funkciju uređaja. Popravite oštećene dijelove prije uporabe uređaja.** Mnoge nezgode imaju svoj uzrok u loše održanim uređajima.
- f) **Rezne alate održavajte ostrim i čistim.** Pažljivo održavani rezni alati s ostrim oštricama neće se zaglaviti i lakši su za vođenje.
- g) **Koristite električne alate, pribor, radne alate, itd., prema navedenim uputama. Pri tome uzmite u obzir radne uvjete i radove koje se izvode.** Uporaba električnih alata za neke druge primjene različite od predviđenih, može doći do opasnih situacija.
- 5) SERVIS**
- a) **Popratak uređaja prepustite samo kvalificiranom stručnom osoblju i samo s originalnim rezervnim dijelovima.** Na taj se način postiže stalnu sigurnost uređaja.
- Izbjegavajte oštećenja od vijaka, čavala i sličnih predmeta na vašem izratku; prije početka rada ih izvadite
  - Kabel uvijek držati dalje od rotirajućih dijelova uređaja
  - **Osigurajte izradak** (izradak je sigurnije pričvršćen pomoću stezaljke ili škripa nego da ga držite rukom)
  - Čim se odmaknete od alata trebate ga isključiti, a pomični se dijelovi trebaju potpuno zaustaviti
  - Upotrebjavajte samo neodmotane i zaštićene produžne kabele kapaciteta 16 ampera
  - U slučaju neuobičajenog ponašanja uređaja ili neobičnih šumova, uređaj treba odmah isključiti i izvući utikač iz mrežne utičnice
  - SKIL može osigurati besprijekoran rad uređaja samo ako se koristi originalni pribor
  - Upotrebjavajte pribor čija dopuštena brzina odgovara najvećoj brzini alata u praznom hodu
  - Uređaj ne bi smjele koristiti osobe mlađe od 16 godina
  - **Koristite prikladne uređaje za traženje napona kako bi se pronašli skriveni napojni vodovi ili se savjetuje s lokalnim distributerom** (kontakt s električnim vodovima mogao bi doći do požara i električnog udara; oštećenje plinske cijevi moglo bi dovesti do eksplozije; probijanje vodovodne cijevi uzrokuje materijalne štete ili može uzrokovati električni udar)
  - **Uređaj držite samo na izoliranim ručkama, ako izvodite radove kod kojih bi pribor mogao zahvatiti skrivene električne vodove ili vlastiti priključni kabel** (vodovi pod naponom stavljaju metalne dijelove električnog alata pod napon, što bi dovelo do električnog udara)
  - **Ne obrađujte materijal koji sadrži azbest** (azbest se smatra kancerogenim)
  - **Poduzmite mjere zaštite ako kod rada može nastati prašina koja je štetna za zdravlje, zapaljiva ili eksplozivna** (neke prašine se smatraju kancerogenima); nosite masku za zaštitu od prašine i koristite usisavanje prašine/strugotine ako se može priključiti
  - Ako se tijekom rada priključni kabel ošteti ili odreže, ne dirati priključni kabel, nego odmah izvući mrežni utikač
  - Nikad ne upotrebjavajte alat kad su kabel oštećeni; neka iz zamijeni kvalificirana osoba
  - Uvijek provjeriti da li se mrežni napon podudara s naponom sa tipske pločice uređaja (uređaji označeni s 230 V ili 240 V mogu raditi i na 220 V)
  - U slučaju neočekivanog blokiranja svrdla (uz opasnu povratnu reakciju), uređaj treba odmah isključiti
  - Treba obratiti pozornost na nastale sile kod blokiranja alata (posebno kod bušenja metala); **uvijek koristite pomoćnu ručku H** ② i zauzeti siguran i stabilan položaj tijela
  - **Prije svih radova održavanja, podešavanja ili izmjene alata i pribora treba izvući utikač iz mrežne utičnice**

## UPUTE ZA SIGURAN RAD ZA BUŠAČI ČEKIĆ

- **Kod rada s bušačim čekićem nosite štitnik za sluh** (pod djelovanjem buke može doći do oštećenja sluha)
- **Koristite pomoćne ručke isporučene uz uređaj** (gubitak kontrole nad uređajem može doći do ozljeda)

## POSLUŽIVANJE

- Uključivanje/isključivanje ④
- Aretiranje prekidača za stalan rad ⑤
- Reguliranje broja okretaja za meko pokretanje ⑥

- Kontrola max. broja okretaja ⑦  
Kotačićem B ② može se maksimalni broj okretaja bestupnjevito namjestiti od najmanje do najveće brzine
- Promjena smjera rotacije ⑧
  - ako položaj lijevo/desno nije ispravno preskočilo, prekidač A se ne može aktivirati
  - ! **smjer rotacije mijenjati samo dok alat miruje**
- Biranje načina rada ⑨
  - pritisnite gumb F da biste otključali prekidač E
  - okrećite prekidač E u željeni način rada dok se ne zaustavi i blokira
  - ! **započnite s radom samo kada je prekidač E zaključan**
  - 1 = normalno bušenje/uvijanje vijaka
  - 2 = udarno bušenje
  - 3 = djelanje s rotirajućim dlijetom
  - 4 = djelanje s fiksni dlijetom
  - ! **način rada birati samo kod isključenog uređaja**
  - kod radova bušenja drva, metala i plastike, kao i za radove uvijanja vijaka, mora se primijeniti odgovarajući adapter (vidjeti: Savjeti za primjenu)
  - mehanika čekića se aktivira primjenom manjeg pritiska na uređaj, kada umetak za bušenje dođe u dodir s izratkom
  - najbolji rezultati udarnog bušenja postižu se kada se laganim pritiskom djeluje na uređaj, tako da automatska spojka ostaje u zahvatu; učinak bušenja ne može se povećati primjenom većeg pritiska na uređaj; SKIL PREPUŠTA UREĐAJU DA RADI ZA VAS
- Djelanje s rotirajućim dlijetom ⑩
  - ! **isključite uređaj i odspojite utikač**
  - odaberite "rotirajući" način djelanja
- Djelanje s fiksni dlijetom ⑪
  - ! **isključite uređaj i odspojite utikač**
  - odaberite "rotirajući" način djelanja
  - stavite dlijeto u željeni položaj
  - odaberite "fiksni" način djelanja
- Zamjena nastavaka ⑫
  - prije umetanja alat očistite i neznatno ga namažite
  - povucite sigurnosni prsten G natrag i umetnite alat u SDS+ steznu glavu, uz okretanje, dok nepreskoči; alat će automatski uskočiti u njegov položaj
  - povucite za alat kako bi provjerili da li je propisno osiguran
  - izvucite alat potezanjem natrag sigurnosni prsten G
  - ! **SDS+ alat mora se moći nesmetano pomicati; to dovodi do ekscentričnih gibanja ako je uređaj neopterećen; alat, se međutim automatski centrira tijekom rada, bez da to utječe na točnost bušenje**
  - ! **ne koristite nastavke/dlijeta s oštećenom drškom**
- Sigurnosna spojka
  - Ukoliko je pribor blokiran, prekinut će se pogon vretena (šumovi)
  - uređaj odmah isključiti
  - izvaditi blokiran alat
  - uređaj ponovno uključiti
- Namještanje dubine bušenja ⑬

- Držanje i vođenje uređaja ⑭
  - **uvijek koristite pomoćnu ručku H ②** (može se podesiti kako je prikazano)
  - otvore za strujanje zraka držite nepokriveno
  - ne djelujte prevelikom pritiskom na uređaj; ostavite uređaju da radi za vas

## SAVJETI ZA PRIMJENU

- Treba koristiti odgovarajuće bitove ⑮
  - ! **koriste se samo oštri bitovi/dlijeta**
- Za radove bušenja u drvu, metalu i plastici, kao i za radove uvijanja vijaka primijenite odgovarajući adapter (SKIL pribor 2610395660) ⑯
  - prije umetanja adapter očistite i neznatno ga namažite
  - sigurnosni prsten G ② povucite natrag i umetnite adapter u SDS+ steznu glavu, uz okretanje i umetanje, sve dok ne preskoči; adapter će automatski preskočiti u njegov položaj
  - povucite za adapter, kako bi provjerili da li propisno osiguran
  - prekidač E ② prebacite u položaj normalnog bušenja (**pritisnuti samo u stanju isključenog uređaja**)
- Kod bušenja metala
  - predbušiti manju rupu ako se buši velika rupa
  - nastavke po potrebi namažati uljem
- Kod uvijanja vijka na prednjem ili stražnjem dijelu nekog izratka od drva, treba se prethodno izbušiti rupa, kako bi se izbjeglo kаланje drva
- Bušenje u drvo bez stvaranja iveraka ⑰
- Bušenje u zid bez stvaranja prašine ⑱
- Bušenje u strop bez stvaranja prašine ⑲
- Bušenje keramičkih pločica bez klizanja vrha svrdla ⑳
- Dodatne savjete možete naći na adresi [www.skileurope.com](http://www.skileurope.com)

## JAMSTVO / ZAŠTITA OKOLIŠA

- Održavajte čistim uređaj i kabel (osobito otvore za hlađenje)
  - ! **prije čišćenja treba izvući mrežni utikač**
- Za ovaj SKIL proizvod dajemo jamstvo prema zakonskim i propisima zemlje korisnika; za štete nastale prirodnim trošenjem, preopterećenjem ili nestručnim rukovanjem, ovo se jamstvo ne priznaje
- U slučaju reklamacije uređaj treba **nerastavljeno** predati, zajedno s računom o kupnji u najbližu SKIL ugovornu servisnu radionicu (popise servisa, kao i oznake rezervnih dijelova uređaja možete naći na adresi [www.skileurope.com](http://www.skileurope.com))
- **Električne alate, pribor i ambalažu ne bacajte u kućni otpad** (samo za EU-države)
  - prema Europskoj direktivi 2002/96/EG o staroj električnoj i elektroničkoj opremi i njenoj primjeni u skladu sa nacionalnim zakonom, istrošeni električni alati moraju se sakupljati odvojeno i odvesti u posebne pogone za reciklažu
  - na to podsjeća simbol ㉑ kada se javi potreba za odlaganjem

## UPUTSTVO

- Ovaj alat je namenjen bušenju u betonu, cigli i kamenu kao i blago klesanju; bušenju u drvetu, metalu i plastici kao i uvrtnjanju uz pomoć specifičnog pribora
- Sistem udarnog bušenja koji ovaj alat poseduje omogućava prevazilaženje tradicionalnog mukotrpnog bušenje u betonu
- Ovaj alat podržava upotrebu svih standardnih SDS+ pribora
- Pažljivo pročitajte i sačuvajte ova uputstva za rukovanje ③

## TEHNIČKI PODACI ①

### ELEMENTI ALATA ②

- A Prekidač za uključivanje/isključivanje i kontrolu brzine
- B Točak za kontrolu maksimalne brzine
- C Dugme za učvršćivanje prekidača
- D Ručica za promenu smera obrtnja
- E Prekidač za biranje režima rada
- F Dugme za otključavanje
- G Stezna glava
- H Pomoćna ručica

## BEZBEDNOST

### OPŠTA UPUTSTVA O SIGURNOSTI

**⚠ PAŽNJA!** Čitajte sva upozorenja i uputstva. Propusti kod pridržavanja upozorenja i uputstava mogu imati za posledicu električni udar, požar i/ili teške povrede.  
**Čuvajte sva upozorenja i uputstva za budućnost.** Pojam upotrebljen u upozorenjima "električni alat" odnosi se na električne alate sa radom na mreži (sa mrežnim kablom).

#### 1) SIGURNOST NA RADNOM MESTU

- a) **Držite Vaše područje rada čisto i pospremljeno.** Nered ili neosvetljena radna područja mogu voditi nesrećama.
- b) **Ne radite sa aparatom u okolini ugroženoj od eksplozija u kojoj se nalaze zapaljive tečnosti, gasovi ili prašine.** Električni alati proizvode varnice, koje mogu zapaliti prašinu ili isparenja.
- c) **Za vreme korišćenja električnog alata držite podalje decu i druge osobe.** Kod skretanja možete izgubiti kontrolu nad aparatom.

#### 2) ELEKTRIČNA SIGURNOST

- a) **Utikač za priključak aparata mora odgovarati utičnoj kutijici. Utikač se nesme nikako menjati.** Ne upotrebljavajte adaptere utikača zajedno sa aparatima sa uzemljenom zaštitom. Ne promenjeni utikači i odgovarajuće utičnice smanjuju rizik od električnog udara.

- b) **Izbegavajte telesni kontakt sa uzemljenim gornjim površinama, kao što su cevi, grejanja, šporeti i rashladni ormani.** Postoji povećani rizik od električnog udara, ako je Vaše telo uzemljeno.
- c) **Držite aparat podalje od kiše ili vlage.** Prodiranje vode u električni aparat povećava rizik od električnog udara.
- d) **Ne koristite kabl da bi aparat nosili, obesili ili ga izvlačili iz utičnice. Držite kabl dalje od vreline, ulja, oštrih ivica ili pokretnih delova aparata.** Oštećeni ili zamršeni kablovi povećavaju rizik od električnog udara.
- e) **Ako sa nekim električnim alatom radite u prirodi, upotrebljavajte samo produžne kablove koji su dozvoljeni za spoljno područje.** Upotreba produžnog kabla pogodnog za spoljno područje smanjuje rizik od električnog udara.
- f) **Ako rad električnog alata ne može da se izbegne u vlažnoj okolini, koristite prekidač strujne zaštite pri kvaru.** Upotreba prekidača strujne zaštite pri kvaru smanjuje rizik od električnog udara.

#### 3) SIGURNOST OSOBA

- a) **Budite pažljivi, pazite na to, šta radite i idite razumno na posao sa električnim alatom. Ne upotrebljavajte aparat, kada ste umorni ili pod uticajem droga, alkohola ili lekova.** Momenat nepažnje kod upotrebe aparata može voditi do ozbiljnih povreda.
- b) **Nosite ličnu zaštitnu opremu i uvek zaštitne naočare.** Nošenje lične zaštitne opreme, kao maske za prašinu, sigurnosne cipele koje ne klizaju, zaštitni šlem ili zaštitu za sluh, zavisno od vrste i upotrebe električnog alata, smanjujete rizik od povreda.
- c) **Izbegavajte nenamerno puštanje u rad. Uverite se da je električni alat isključen, pre nego što ga priključite na struju, uzmete ga ili nosite.** Ako prilikom nošenja električnog alata držite prst na prekidaču ili aparat uključen priključujete na struju, može ovo voditi nesrećama.
- d) **Uklonite alate za podešavanje ili ključeve za zavrtnje, pre nego što uključite aparat.** Alat ili ključ koji se nalazi u delu aparata koji se okreće, može voditi povredama.
- e) **Ne preценjujete sebe. Pobrinite se da sigurno stojite i održavajte u svako doba ravnotežu.** Na taj način možete bolje kontrolisati aparat u neočekivanim situacijama.
- f) **Nosite pogodno odelo. Ne nosite široko odelo ili nakit. Držite kosu, odelo i rukavice podalje od pokretnih delova.** Opušteno odelo, nakit ili duža kosa mogu biti zahvaćeni od rotirajućih delova.
- g) **Ako se mogu montirati uredjaji za usisavanje prašine i uredjaji za hvatanje prašine, uverite se da li su priključeni i ispravno koriste.** Upotreba usisavanja prašine može smanjiti opasnosti od prašine.



#### 4) BRIŽLJIVO OPHODJENJE I KORIŠĆENJE ELEKTRIČNIH ALATA

- a) **Ne preopterećujte aparat. Upotrebljavajte za Vaš posao električni alat određen za to.** Sa odgovarajućim električnim alatom radićete bolje i sigurnije u navedenom području rada.
- b) **Ne upotrebljavajte električni alat, čiji je prekidač u kvaru.** Električni alat koji više ne može da se uključi ili isključi je opasan i mora da se popravi.
- c) **Izvučite utikač iz utičnice pre nego što preduzmete podešavanja aparata, promenu delova pribora ili ostavite aparat.** Ova mera opreza sprečava nenamerni start aparata.
- d) **Čuvajte nekorišćene električne alate izvan domašaja dece. Ne dopustite osobama da koriste aparat, koje ga ne poznaju ili nisu pročitali ova uputstva.** Električni alati su opasni, ako ih koriste neiskusne osobe.
- e) **Održavajte aparat brižljivo. Kontrolišite, da li pokretni delovi aparata funkcionišu besprekorno i ne slepljuju, da li su delovi slomljeni ili tako oštećeni, da je funkcija aparata oštećena. Popravite oštećene delove pre upotrebe aparata.** Mnoge nesreće imaju svoj uzrok u loše održanim električnim alatima.
- f) **Držite alate za sečenja oštre i čiste.** Brižljivo negovani alati za sečenje sa oštirim sečivima manje slepljuju i lakše se vode.
- g) **Upotrebljavajte električne alate, pribor, alate koji se umeću itd. prema ovim uputstvima. Obratite pažnju pritom na uputstva za rad i posao koji treba izvesti.** Upotreba električnih alata za druge od propisanih namena može voditi opasnim situacijama.

#### 5) SERVIS

- a) **Neka Vam Vaš aparat popravlja samo kvalifikovano stručno osoblje i samo sa originalnim rezervnim delovima.** Na taj način se obezbeđuje da oстане sačuvana sigurnost aparata.

#### SIGURNOSNA UPUTSTVA ZA HAMER

- **Pri radu sa vibracionim bušilicama nosite zaštitu za uši** (izlaganje tim zvukovima i buci može voditi ka trajnim oštećenjima sluha)
- **Koristite bočne drške koje se isporučuju zajedno sa mašinom** (gubljenje kontrole može voditi ka povredama)
- Izbegavajte oštećenja od šrafova, eksera i drugih predmeta na vašem području rada; uklonite ih pre nego što započnete rad
- Kabl uvek držite podalje od pokretnih delova alata
- **Obezbedite radni predmet** (radni predmet stegnut pomoću stega ili nečeg sličnog je mnogo stabilniji neko kada se drži rukom)
- Kada završite rad sa alatom, isključite motor i proverite da li su se zaustavili svi pokretni delovi
- Produžni kabl koji koristite mora da bude sasvim odmotan i siguran, sa kapacitetom od 16 A
- U slučaju da dođe do električnog ili mehaničkog kvara, odmah isključite alat i iskopčajte ga iz utičnice

- SKIL može priznati garanciju samo ukoliko je korišćen originalni pribor
- Koristite samo pribor čija je dozvoljena brzina u najmanju ruku jednaka najvećoj brzini pri praznom hodu električnog alata
- Ovaj alat ne treba da koriste osobe ispod 16 godina
- **Koristite odgovarajuće aparate za proveru dali se u zidu koji bušimo nalaze skrivene instalacije, ili za taj posao nađite odgovarajuće preduzeće** (kontakt sa električnim vodovima može izazvati požar ili električni udar; oštećenje gasovoda može izazvati eksploziju; probijanje cevi sa vodom uzrokuje štete ili može izazvati električni udar)
- **Hvatajte električni alat samo za izolovane hvataljke, ako izvodite radove, kod pribor može sresti skrivene vodove struje ili vlastiti mrežni kabl** (kontakt sa vodom koji provodi napon stavlja i metalne delove električnog alata pod napon i vodi električnom udaru)
- **Ne obrađujte nikakav materijal koji sadrži azbest** (azbest važi kao izazivač raka)
- **Preduzmite zaštitne mere ako pri radu mogu nastati štetne po zdravlje, zapaljive i eksplozivne prašine** (neke prašine važe kao pobudjivači raka); nosite zaštitnu masku za prašinu i upotrebljavajte ako se može priključiti usisavanje prašine/opiljaka
- Ako se kabl ošteti ili preseče u toku rada, odmah ga iskopčajte i nemojte ga dodirivati
- Nikada nemojte da koristite alat ako je kabl oštećen; zamenu kabla mora da obavi stručno lice
- Uvek proveravajte da li se napon struje poklapa sa naponom navedenim na samom alatu (alati na kojima je naveden napon od 230V ili 240V mogu da rade i na 220V)
- U slučaju iznenadne blokade burgije stvaranja povratnih sila pri alatu, alat odmah treba isključiti
- Obratite pažnju na nastale sile pri alatu tokom blokade (posebno pri bušenju metala); **alat uvek držati samo za bočnu dršku H** ② i zauzeti siguran stav
- **Obavezno iskopčajte alat iz električne utičnice pre nego što izvršite bilo kakva podešavanja ili zamenu pribora**

#### UPUTSTVO ZA KORIŠĆENJE

- Uključivanje/isključivanje ④
- Učvršćivanje prekidača za stalno bušenje ⑤
- Zakočenje prekidača za lagani start ⑥
- Kontrola maksimalne brzine ⑦
- Točkom B ② možete podesiti maksimalnu brzinu prema nivoima, od minimuma do maksimuma
- Izmena smera rotacije ⑧
  - ako leva/desna pozicija ne ulegnu kako treba, prekidač A neće moći biti strtovan
- ! **smer rotacije menjati samo kada alat potpuno miruje**
- Podešavanje radnog režima ⑨
  - pritisnite dugme F da biste otključali prekidač E
  - podesite prekidač E na željeni režim rada dok ne klikne u položaj

## ! počnite sa radom samo ako je prekidač E zaključan

- 1 = normalno bušenje/vrtanje
- 2 = vibraciono bušenje
- 3 = rad sa rotirajućim dletom
- 4 = rad sa fiksiranim dletom

## ! podešavanje radnog režima se vrši jedino dok je alat isključen

- prilikom bušenja u drvetu, metalu i plastici kao i vrtanju upotrebljavajte odgovarajući pribor (pogledajte: Saveti za primenu)
- mehanizam udarnog bušenja se aktivira blagim pritiskom alata dok se bits nalazi u dodiru sa materijalom za obradu
- najbolji rezultati udarnog bušenja se postižu samo blagim pritiskom alata pri čemu se aktivira automatski mehanizam; rezultat bušenja se ne poboljšava jačim pritiskanjem alata: SKIL ALATI RADE ZA VAS
- Rad sa rotirajućim dletom <sup>(10)</sup>
  - ! **isključite alat i iskopčajte ga iz utičnice**
  - izaberite "rotirajući" režim dleta
- Rad sa fiksiranim dletom <sup>(11)</sup>
  - ! **isključite alat i iskopčajte ga iz utičnice**
  - izaberite "rotirajući" režim dleta
  - postavite dleto u željeni položaj
  - izaberite "fiksirani" režim dleta
- Izmena bitseva <sup>(12)</sup>
  - očistite i namažite pribor uljem pre njegovog ubacivanja
  - povucite steznu glavu G u nazad i ubacite pribor u SDS+ glavu, okrećite je i gurajte pribor dok ga ne zategnete; pribor se automatski sam zategne
  - povucite pribor da bi proverili da li je čvrsto zategnut
  - izvadite pribor tako što ćete povući u nazad steznu glavu G
- ! **SDS+ glava zahteva neograničenu slobodu pokreta, koja prouzrokuje ekscentričan rad alata u praznom hodu; u toku rada se ona sama centrira; ovo nema uticaja na preciznost bušenja otvora**
- ! **nemojte upotrebljavati oštećene bitseve/dleta**
- Sigurnosni mehanizam  
Prilikom blokade pribora, prekida se i rad vretena (dolazi do stvaranja buke)
  - odmah isključite alat
  - skinite blokirani pribor
  - ponovo uključite alat
- Podešavanje dubine bušenja <sup>(13)</sup>
- Držanje i upravljanje alata <sup>(14)</sup>
  - **alat uvek držati samo za bočnu dršku H** <sup>(2)</sup> (može se podešavati kao na crtežu)
  - držite preoze za hlađenje otvorene
  - ne pritiskati alat previše, pustite da alat sam radi

## SAVETI ZA PRIMENU

- Koristiti odgovarajuće bitseve <sup>(15)</sup>
  - ! **upotrebljavajte samo oštre bitseve/dleta**

- Prilikom bušenja u drvetu, metalu i plastici kao i vrtanju upotrebljavajte odgovarajući pribor (SKIL pribor 2610395660) <sup>(16)</sup>
  - očistite i namažite pribor uljem pre njegovog ubacivanja
  - povucite steznu glavu G <sup>(2)</sup> u nazad i ubacite pribor u SDS+ glavu, okrećite je i gurajte pribor dok ga ne zategnete; pribor se automatski sam zategne
  - povucite pribor da bi proverili da li je čvrsto zategnut
  - podesite prekidač E <sup>(2)</sup> za normalno bušenje (**podešavanje se vrši jedino dok je alat isključen**)
- Pri bušenju metala
  - prvo izbušiti malu rupu ako Vam je potrebna veća rupa
  - bitseve povremeno namažati uljem
- Pri vrtanju šrafova na krajevima drveta prvo treba izbušiti malu rupu da bi se izbeglo listanje drveta
- Bušenje drveta bez listanja <sup>(17)</sup>
- Bušenje zidova bez prašine <sup>(18)</sup>
- Bušenje plafona bez prašine <sup>(19)</sup>
- Bušenje pločica bez proklizavanja <sup>(20)</sup>
- Za više saveta pogledajte [www.skileurope.com](http://www.skileurope.com)

## GARANCIJA / ZAŠTITA OKOLINE

- Alat i kabl uvek održavajte čistim (posebno otvore za hlađenje)
  - ! **pre čišćenja iskopčajte kabl iz utičnice**
- Ovaj SKIL proizvod sadrži garanciju u skladu sa propisima i zakonima određenih država; oštećenja nastala normalnim habanjem i trošenjem, preopterećenjem uređaja ili nepravilnim rukovanjem nisu uključena u garanciju
- U slučaju reklamacije, **nerasklopljen** alat zajedno sa računom odnese kod vašeg prodavca ili u najbliži SKIL servis (adrese, kao i spisak rezervnih delova se nalaze na [www.skileurope.com](http://www.skileurope.com))
- **Električne alate, pribora i ambalaže ne odlažite u kućne otpatke** (samo za EU-države)
  - prema Evropskoj direktivi 2002/96/EG o staroj električnoj i elektronskoj opremi i njenoj upotrebi u skladu sa nacionalnim pravom, električni alati koji su istrošeni moraju biti sakupljeni odvojeno i dostavljeni pogonu za reciklažu
  - simbol <sup>(21)</sup> će vas podsetiti na to

(SLO)

## Kladivo

1765

## UVOD

- To orodje je namenjeno za udarno vrtanje u beton, opeko, kamnine in za lažja dletenja; z dodatnim priborom je namenjeno tudi vrtanju v les, kovino, keramiko in plastiko, uporabljiv je tudi za vijačenje
- Poseben udarni sistem orodja deluje učinkoviteje od klasičnega vibracijskega vrtanja v beton

- To orodje je konstruirano za uporabo standardnega SDS+ pribora
- Preberite in shranite navodila za uporabo ③

## LASTNOSTI ①

### DELI ORODJA ②

- A Vklopno/izklopno stikalo in za nadzor hitrosti
- B Gumb za nastavitev maksimalne hitrosti
- C Gumb za blokiranje stikala
- D Ročica za preklon smeri vrtenja
- E Stikalo za izbiro načina delovanja
- F Gumb za sprostitvev stikala
- G Zapiralo glave
- H Pomožna ročka

## VARNOST

### SPLOŠNA VARNOSTNA NAVODILA

#### OPOZORILO! Preberite vsa opozorila in napotila.

Napake zaradi neupoštevanja spodaj navedenih opozoril in napotil lahko povzročijo električni udar, požar in/ali težke telesne poškodbe. **Vsa opozorila in napotila shranite, ker jih boste v prihodnje še potrebovali.** Pojem "električno orodje", ki se pojavlja v nadaljnjem besedilu, se nanaša na električna orodja z električnim pogonom (z električnim kablom).

#### 1) VARNOST NA DELOVNEM MESTU

- a) **Poskrbite, da bo Vaše delovno mesto vedno čisto in urejeno.** Nered ali neosvetljena delovna področja lahko povzročijo nezgode.
- b) **Prosimo, da orodja ne uporabljate v okolju, kjer je nevarnost za eksplozije in v katerem se nahajajo gorljive tekočine, plini ali prah.** Električna orodja povzročajo iskre, zato se gorljivi prah ali pare lahko vnamejo.
- c) **Ne dovolite otrokom in drugim osebam, da bi se medtem ko delate, približali električnemu orodju.** Druge osebe lahko odvrnejo Vašo pozornost drugam in izgubili boste nadzor nad električnim orodjem.

#### 2) ELEKTRIČNA VARNOST

- a) **Vtiči mora ustrezati električni vtičnici in ga pod nobenim pogojem ne smete spreminjati.** Uporaba adapterskih vtičev v kombinaciji z ozemljena orodja ni dovoljena. Originalni oziroma nespremenjeni vtiči in ustrezne vtičnice zmanjšujejo tveganje električnega udara.
- b) **Izogibajte se telesnemu stiku z ozemljenimi površinami, na primer s cevmi, grelci, štedilniki in hladilniki.** Če je ozemljeno tudi vaše telo, obstaja povečano tveganje električnega udara.
- c) **Zavarujte orodje pred dežjem ali vlago.** Vdor vode v električno orodje povečuje tveganje električnega udara.

d) **Električnega kabla ne uporabljajte za prenašanje ali obežanje orodja in ne vlecite vtiči iz vtičnice tako, da vlečete za kabel. Zavarujte kabel pred vročino, oljem, ostrimi robovi in premikajočimi se deli orodja.** Poškodovani ali prepleteni kabli povečujejo tveganje električnega udara.

- e) **Če z električnim orodjem delate na prostem, uporabljajte izključno kabelski podaljšek, ki je atestiran za delo na prostem.** Uporaba kabelskega podaljška, primernega za delo na prostem, zmanjšuje tveganje električnega udara.
- f) **Če je uporaba električnega orodja v vlažnem okolju neizogibna, uporabljajte prekinjevalec električnega tokokroga,** prekinjevalca električnega tokokroga zmanjšuje tveganje električnega udara.

#### 3) OSEBNA VARNOST

- a) **Bodite zbrani in pazite, kaj delate. Dela z električnim orodjem se lotite razumno. Nikoli ne uporabljajte orodja, če ste utrujeni in če ste pod vplivom mamil, alkohola ali zdravil.** En sam trenutek nepazljivosti pri uporabi orodja ima lahko za posledico resne telesne poškodbe.
  - b) **Uporabljajte osebna zaščitna sredstva in vedno nosite zaščitna očala.** Uporaba osebnih zaščitnih sredstev, na primer maske proti prahu, nedersečih zaščitnih čevljev, zaščitne čelade in glušnikov, odvisno od vrste in uporabe električnega orodja, zmanjšuje tveganje telesnih poškodb.
  - c) **Izogibajte se nenamernemu zagonu. Pred priključitvijo električnega orodja na električno omrežje in pred dviganjem ali nošenjem se prepričajte, če je električno orodje izklopljeno.** Prenašanje naprave s prstom na stikalo ali priključitev vklopljenega električnega orodja na električno omrežje je lahko vzrok za nezgodo.
  - d) **Pred vklopom orodja odstranite z nje nastavitvena orodja ali vijačni ključ.** Orodje ali ključ, ki se nahajata na vrtečem se delu električnega orodja, lahko povzročita nezgodo.
  - e) **Ne precenjujte se in poskrbite za varno stojišče in stalno ravnotežje.** Tako boste lahko v nepričakovani situaciji bolje obvladali orodje.
  - f) **Nosite primerno obleko, ki naj ne bo preohlapna. Ne nosite nakita. Lasje, oblačilo in rokavice naj se ne približujejo premikajočim se delom orodja.** Premikajoči se deli orodja lahko zgrabijo ohlapno obleko, nakit, ali dolge lase.
  - g) **Če je možno na orodje namestiti priprave za odsesavanje in prestrazanje prahu, prepričajte se, ali so le-te priključene in, če jih pravilno uporabljate.** Uporaba priprave za odsesavanje prahu zmanjšuje zdravstveno ogroženost zaradi prahu.
- #### 4) RAVNANJE IN NEGA ROČNEGA ORODJA
- a) **Ne preobremenjujte orodja. Za določeno delo uporabljajte električno orodje, ki je predvideno za opravljanje tega dela.** Z ustreznim električnim orodjem boste delo opravili bolje in varneje, ker je bilo v ta namen tudi konstruirano.

- b) **Električno orodje, ki ima pokvarjeno stikalo, ne uporabljajte.** Električno orodje, ki ga ni možno vklopiti ali izklopiti, je nevarno in ga je potrebno popraviti.
- c) **Pred nastavitvijo orodja, zamenjavo pribora ali odlaganjem orodja vedno izvlecite vtič iz električne vtičnice.** Ta previdnostni ukrep onemogoča nepredviden zagon orodja.
- d) **Kadar orodja ne uporabljate ga shranjujte izven dosega otrok. Osebam, ki orodja ne poznajo ali niso prebrale teh navodil, orodja ne dovolite uporabljati.** Električna orodja so nevarna, če jih uporabljajo neizkušene osebe.
- e) **Skrbno negujte orodje. Preverite, če premikajoči se deli orodja delujejo brezhibno in če se ne zatikajo, oziroma, če kakšen del orodja ni zlomljen ali poškodovan do te mere, da bi oviral njegovo delovanje. Pred nadaljnjo uporabo je potrebno poškodovani del popraviti.** Vzrok za številne nezgode so ravno slabo vzdrževana električna orodja.
- f) **Rezalna orodja naj bodo ostra in čista.** Skrbno negovana rezalna orodja z ostrimi rezili se manj zatikajo in so boljje vodljiva.
- g) **Električna orodja, pribor, nastavke in podobno uporabljajte v skladu s temi navodili. Pri tem upoštevajte delovne pogoje in vrsto dela, ki ga nameravate opraviti.** Zaradi uporabe električnega orodja v druge, nepredvidene namene, lahko nastanejo nevarne situacije.

## 5) SERVIS

- a) **Popravilo orodja lahko opravi samo usposobljena strokovna oseba in to izključno z originalnimi nadomestnimi deli.** Le tako bo ohranjena nadaljnja varnost orodja.

## VARNOSTNA NAVODILA ZA KLADIVA

- **Pri delu z vibracijskimi vrtniki nosite zaščito sluha** (izpostavljanje hrupu lahko povzroči izgubo sluha)
- **Uporabljajte stranske ročaje, ki so dobavljeni skupaj z orodjem** (izguba nadzora lahko povzroči telesne poškodbe)
- Izogibajte se poškodb zaradi vijakov, žebeljev ali drugih elementov v obdelovancu; odstranite jih pred začetkom dela
- Kabel naj bo vedno odmaknjen od gibljivih delov stroja
- **Zavarujte obdelovanec** (obdelovanec stisnjen v prižemi ali primežu je bolj varen kot v roki)
- Ko orodje postavite v stran, izklopite motor in pazite, da se vsi premikajoči se deli orodja popolnoma zaustavijo
- Uporabljajte povsem iztegnjene in varne električne podaljške, z jakostjo 16 amperov
- Če pride do električnih ali mehanskih okvar, takoj izklopite stroj in izvlecite vtiča iz vtičnice
- SKIL zagotavlja brezhibno delovanje orodja le z uporabo originalnega dodatnega pribora
- Uporabljajte lahko dodatni pribor, katerega dovoljena hitrost je najmanj enaka največji hitrosti orodja
- Orodja naj ne bi uporabljale osebe mlajše od 16 let

- **Za iskanje skritih električnih, plinskih in vodovodnih cevi uporabite primerne iskalne naprave (detektorje) ali se posvetujte z lokalnimi podjetji** (stik z električnimi vodniki lahko povzroči požar ali električni udar; poškodbe plinovoda lahko povzročijo eksplozijo, vdor v vodovodno omrežje pa materialno škodo ali električni udar)
- **Pri izvajanju del, kjer je mogoče, da orodje oz. pribor pride v stik s skritimi električnimi vodniki ali celo z lastnim priključnim kablom, držite električno orodje vedno za izolirane dele in ročaje** (stik orodja z vodniki pod napetostjo prenesejo napetost tudi na ostale kovinske dele električnega orodja, kar ima za posledico električni udar na uporabnika)
- **Ne obdelujte materiala, ki vsebuje azbest** (azbest povzroča rakasta obolenja)
- **Če bi pri delu lahko nastajal zdravju škodljiv, gorljiv ali eksploziven prah, poskrbite za ustrezne zaščitne ukrepe** (nekateri vrste prahu povzročajo rakasta obolenja); nosite masko za zaščito proti prahu in če je možna priključitev, uporabljajte napravo za odsesavanje prahu in ostružkov
- Če je priključni kabel poškodovan ali se med delom pretрга se ga ne dotikajte, temveč takoj potegnite električni vtiča iz vtičnice
- Nikoli ne uporabljajte orodja, če je kabel poškodovan; okvaro naj odpravi strokovnjak
- Pred uporabo preverite, če se omrežna napetost ujema z napetostjo navedeno na tablici orodja (orodje označene z napetostjo 230V in 240V se lahko priključijo tudi na 220V)
- Če se sveder pri vrtnanju nepričakovano zagodzi (zaradi nenadnih, nevarnih pritiskov), takoj izključite orodje
- Pazite na nenadne sile, ki nastanejo zaradi blokiranja pri vrtnanju (posebno pri vrtnanju v kovino); **vedno uporabljajte stranski ročaj H ②** in si zagotovite stabilno in varno pozicijo
- **Vedno izvlecite električni vtiča iz vtičnice preden spreminjate nastavitve ali menjate pribor**

## UPORABA

- Vklp/izklop ④
- Aretacija stikala ⑤
- Nastavitev števila vrtljajev za nežnejši start vrtnika ⑥
- Nastavitev maksimalne hitrosti ⑦
- Z gumbom B ② se lahko maksimalna hitrost brezstopenjsko nastavlja od nizke do visoke
- Menjava smeri vrtenja ⑧
  - v primeru, da preklopnik smeri vrtenja ni v pravilnem položaju ni možno vklopiti stikala A
- **! prekop smeri vrtenja izvesti le pri popolnoma mirujočem orodju**
- Nastavitev načina delovanja ⑨
  - pritisnite gumb F, da sprostite stikalo E
  - obrnite stikalo E na zeleni način delovanja, dokler se ne zaskoči

**! z delom prične le, ko se stikalo E zaskoči na mestu**

1 = običajno vrtnanje/vijačenje

2 = udarno vrtnanje

3 = klesanje z dletom, ki se vrtil

4 = klesanje z dletom, ki se ne vrtil

**! način delovanja izberite pri izključenem orodju**

- za vrtnanje v les, kovino in plastiko in tudi za vijačenje uporabite ustrezen vmesnik (glej: Uporabni nasveti)

- udarni mehanizem je aktiviran z rahlim pritiskom svedra na obdelovanec

- dober učinek udarnega vrtnja bo dosežen že z rahlim pritiskom na orodje, potrebnim za delovanje sklopke; vrtalni učinek se ne bo povečal z večjim pritiskom na orodje: SKIL POSKRBI DA ORODJE DELA ZA VAS

- Klesanje z dletom, ki se vrtil <sup>10</sup>

**! izklopite orodje in izvlecite vtičnik iz vtičnice**

- izberite način klesanja z dletom, ki se vrtil

- Klesanje z dletom, ki se ne vrtil <sup>11</sup>

**! izklopite orodje in izvlecite vtičnik iz vtičnice**

- izberite način klesanja z dletom, ki se vrtil

- namestite dleto v zelen položaj

- izberite način klesanja z dletom, ki se ne vrtil

- Menjava nastavkov <sup>12</sup>

- pred vpetjem pribor očistite in narahlo naoljite

- pritisnite nazaj sprednji del glave zapiralo G in vstavite pribor v glavo SDS+; med vstavljanjem pribor narahlo obračajte in ga potiskajte v glavo; pribor se bo samodejno zaskočil

- preverite pravilnost vpetja pribora s ponovnim izvlečenjem iz glave

- odstranite pribor s ponovnim pritiskom glave zapirala G nazaj

**! SDS+ pribor se prosto premika, ko ni obremenjen; med delom se avtomatsko centrirata, brez vpliva na točnost vrtnanja**

**! ne uporabljajte nastavke/dlet s poškodovanim stebлом**

- Varnostna sklopka

V primeru blokade pribora v obdelovancu se vrtenje gredi prekine (zazna se rožljajoč zvok)

- takoj izključite orodje

- odstranite blokirano orodje

- ponovno vključite orodje

- Nastavitev globine vrtnanja <sup>13</sup>

- Držanje in vodenje orodja <sup>14</sup>

- **vedno uporabljajte stranski ročaj H** <sup>2</sup> (nastavljiv, kot je ilustrirano)

- ventilacijske reže morajo biti nepokrite

- ne pritiskajte na orodje premočno, pustite da orodje sam opravi delo

## UPORABNI NASVETI

- Uporabljajte ustrezne nastavke <sup>15</sup>

**! vedno uporabljajte ostre nastavke/dlete**

- Pri vrtnanju v les, kovino in plastiko in tudi za vijačenje uporabite ustrezen vmesnik (SKIL 2610395660) <sup>16</sup>

- pred vpetjem vmesnik očistite in narahlo naoljite

- pritisnite nazaj sprednji del glave zapiralo G <sup>2</sup> in vstavite vmesnik v glavo SDS+; med vstavljanjem vmesnik narahlo obračajte in ga potiskajte v glavo; vmesnik se bo samodejno zaskočil

- preverite pravilnost vpetja vmesnika s ponovnim izvlečenjem iz glave SDS+

- narahlajte stikalo E <sup>2</sup> na običajno vrtnanje (**naravnati le pri izključenem orodju**)

- Pri vrtnanju v kovine

- naprej izvrčajte manjšo luknjo, šele nato večjo

- sveder občasno naoljite

- Pri vijačenju vijaka v les v bližini robu je potrebno predvrtati luknjo, s čimer boste preprečili pokanje lesa

- Vrtnanje v les brez odlomljenih koščkov <sup>17</sup>

- Vrtnanje v stene z zaščito proti prahu <sup>18</sup>

- Vrtnanje v strop z zaščito proti prahu <sup>19</sup>

- Vrtnanje v ploščice brez spodrsavanja <sup>20</sup>

- Za več nasvetov glejte pod [www.skileurope.com](http://www.skileurope.com)

## GARANCIJA / OKOLJE

- Priključni kabel in orodje naj bosta vedno čista (posebej še prezračevalne odprtine)

**! izvlecite vtičnik iz vtičnice pred čiščenjem**

- Ta stroj znamke SKIL je zavarovan v skladu z državnimi/pokrajinskimi-posebnimi odredbami; garancija ne pokriva škode, ki je nastala zaradi običajne izrabe ali prelomov, preobremenitve ali nepravilne uporabe

- V primeru okvare vašega orodja pošljite **nerazstavljeno** orodje skupaj s potrdilom o nakupu pri vašemu prodajalcu v najbližjo SKIL servisno delavnico (naslovi, kot tudi spisek rezervnih delov se nahaja na [www.skileurope.com](http://www.skileurope.com))

- **Električnega orodja, pribora in embalaže ne odstranjujte s hišnimi odpadki** (samo za države EU)

- v skladu z Evropsko direktivo 2002/96/EG o odpadnih električni in elektronski opremini in z njenim izvajanjem

v nacionalni zakonodaji je treba električna orodja ob koncu njihove življenjske dobe ločeno zbirati in jih predati v postopek okolju prijaznega recikliranja

- ko je potrebno odstranjevanje, naj vas o načinu spomni simbol <sup>21</sup>

EST

Puurvasar

1765

## SISSEJUHATUS

- Antud tööriist on ettenähtud betooni, müüritise ja kivimi lõõkpuurimiseks ning kergeteks meiseldustöödeks; puidu, metalli ja plastmaterjalide puurimiseks ning kruvikeeramistöödeks tuleb kasutada spetsiaalseid lisatarvikuid

- Antud tööriista lõõkpuurimissüsteem ületab betooni puurimiselvõimsuse poolest kõiki tavalisi lõõkpuurtrelle

- Antud tööriistaga on võimalik kasutada kõiki tavapäraseid SDS+ tarvikuid
- Palun lugege käesolev kasutusjuhend hoolikalt läbi ja hoidke alles ③

## TEHNILISED ANDMED ①

### SEADME OSAD ②

- A Lüliti tööriista sisse-/väljalülitamiseks ja kiiruse kontrollimiseks
- B Maksimumkiiruse kontrolliratas
- C Lüliti lukustusnupp
- D Reverslüliti
- E Tööreliimi lüliti
- F Lahtikeeramise nupp
- G Fikseerimisrõngas
- H Lisakäepide

## TÖÖOHUTUS

### ÜLDISED OHUTUSJUHISED

**⚠ TÄHELEPANU!** Kõik ohutusnõuded ja juhised tuleb läbi lugeda. Ohutusnõuete ja juhiste eiramise tagajärjeks võib olla elektrilöök, tulekahju ja/või rasked vigastused. **Hoidke kõik ohutusnõuded ja juhised edasiseks kasutamiseks hoolikalt alles.** Allpool kasutatud mõiste “elektriline tööriist” käib võrgutoitega (toitejuhtmega) elektriliste tööriistade kohta.

#### 1) OHUTUSNÕUDED TÖÖPIIRKONNAS

- Hoidke töökoht puhas ja korras.** Segadus või valgustamata tööpiirkonnad võivad põhjustada õnnetusi.
- Ärge kasutage seadet plahvatusohtlikus keskkonnas, kus leidub tuleohtlikke vedelikke, gaase või tolmu.** Elektrilistest tööriistadest lööb sädemeid, mis võivad tolmu või auru süüdata.
- Kui kasutate elektrilist tööriista, hoidke lapsed ja teised isikud töökohast eemal.** Kui Teie tähelepanu kõrvale juhitakse, võib seade Teie kontrolli alt väljuda.

#### 2) ELEKTROOHUTUS

- Seadme pistik peab pistikupessa sobima.** Pistiku kallal ei tohi teha mingid muudatusi. Ärge kasutage kaitsemaandusega seadmete puhul adapterpistikuid. Muutmata pistikud ja sobivad pistikupesad vähendavad elektrilöögi saamise riski.
- Vältige kehakontakti maandatud pindadega, nagu torud, radiaatorid, pliivid ja külmikud.** Kui Teie keha on maandatud, on elektrilöögi risk suurem.
- Hoidke seadet vihma ja niiskuse eest.** Kui elektriseadmesse on sattunud vett, on elektrilöögi saamise risk suurem.

- Ärge kasutage toitejuhet selleks mitte ettenähtud otstarbel seadme kandmiseks, ülesriputamiseks ega pistiku pistikupesast väljatõmbamiseks.** Hoidke toitejuhet kuumuse, õli, teravate servade ja seadme liikuvate osade eest. Kahjustatud või keeruldäänud toitejuhtmed suurendavad elektrilöögi saamise riski.
  - Kui töötate elektrilise tööriistaga vabas õhus, kasutage ainult selliseid pikendusjuhtmeid, mida on lubatud kasutada ka välistingimustes.** Välistingimustes kasutamiseks sobiva pikendusjuhtme kasutamine vähendab elektrilöögi saamise riski.
  - Kui elektrilise tööriista kasutamine niiskes keskkonnas on vältimatu, kasutage maandusega lekkevoolukaitset.** Maandusega lekkevoolukaitsme kasutamine vähendab elektrilöögi ohtu.
- ### 3) INIMESTE TURVALISUS
- Olge tähelepanelik, jälgige, mida Te teete, ning toimige elektrilise tööriistaga töötades mõistlikult.** Ärge kasutage seadet, kui olete väsinud või uimastite, alkoholi või ravimite mõju all. Hetkeline tähelepanematus seadme kasutamisel võib põhjustada tõsiseid vigastusi.
  - Kandke isikukaitsevahendeid ja alati kaitseprille.** Isikukaitsevahendite, nagu tolmutumask, libisemiskindlad turvajalatsid, kaitsekiiver või kuulmiskaitsevahendid, kandmine – sõltuvalt elektrilise tööriista tüübist ja kasutusalaalt – vähendab vigastuste riski.
  - Vältige seadme tahtmatut käivitamist. Enne pistiku ühendamist pistikupessa, seadme ülestõstmist ja kandmist veenduge, et elektriline tööriist on välja lülitatud.** Kui hoiate elektrilise tööriista kandmisel sõrme lülilil või ühendate vooluvõrku sisselülitatud seadme, võivad tagajärjeks olla õnnetused.
  - Enne seadme sisselülitamist eemaldage selle küljest reguleerimis- ja mutrivõtmed.** Seadme pöörleva osa küljes olev reguleerimis- või mutrivõti võib põhjustada vigastusi.
  - Ärge hinnake end üle. Võtke stabiilne tööasend ja hoidke kogu aeg tasakaalu.** Nii saate seadet ootamatutes olukordades paremini kontrollida.
  - Kandke sobivat rõivastust. Ärge kandke laiu riideid ega ehteid. Hoidke juuksed, rõivad ja kindad seadme liikuvatest osadest eemal.** Lotendavad riided, ehted või pikad juuksed võivad sattuda seadme liikuvate osade vahele.
  - Kui on võimalik paigaldada tolmueemaldus- ja tolmutukogumisseadiseid/seadmeid, veenduge, et need oleksid seadmega ühendatud ja et neid kasutatakse õigesti.** Tolmueemaldusseadise kasutamine vähendab tolmust põhjustatud ohte.
- ### 4) ELEKTRILISTE TÖÖRIISTADE HOOLIKAS KÄSITSEMIN JA KASUTAMINE
- Ärge koormake seadet üle.** Kasutage töö tegemiseks selleks ettenähtud elektrilist tööriista. Sobiva elektrilise tööriistaga töötate paremini ja turvalisemalt ettenähtud võimsusvahemikus.

- b) **Ärge kasutage elektrilist tööriista, mille lüliti on rikkis.** Elektriline tööriist, mida ei ole enam võimalik sisse ja välja lülitada, on ohtlik ning seda tuleb remontida.
  - c) **Tõmmake pistik pistikupesast välja enne seadme reguleerimist, tarvikute vahetamist ja seadme ärapanemist.** See ettevaatusabinõu väldib seadme tahtmatut käivitamist.
  - d) **Hoidke kasutusel mitteolevaid elektrilisi tööriistu lastele kättesaamatult. Ärge laske seadet kasutada isikutel, kes seda ei tunne või pole siintoodud juhiseid lugenud.** Kogenematute kasutajate käes kujutavad elektrilised tööriistad ohtu.
  - e) **Hoolitsege seadme eest. Kontrollige, kas seadme liikuvad osad funktsioneerivad korralikult ja ei kiildu kiini, ning ega mõned osad ei ole katki või sel määral kahjustatud, et võiksid piirata seadme funktsioneerimist.** Laske kahjustatud osad enne seadme kasutamist parandada. Paljude õnnetuste põhjuseks on halvasti hooldatud elektrilised tööriistad.
  - f) **Hoidke lõiketarvikud teravad ja puhtad.** Hoolikalt hoitud, teravate lõikeservadega lõiketarvikud kiilduvad harvemini kinni ja neid on lihtsam juhtida.
  - g) **Kasutage elektrilist tööriista, lisavarustust, tarvikuid jne vastavalt siintoodud juhistele ning nii. Arvestage seējuures töötingimuste ja teostatava töö iseloomuga.** Elektriliste tööriistade kasutamine mitte ettenähtud otstarbel võib põhjustada ohtlikke olukordi.
- 5) TEENINDUS**
- a) **Laske seadet parandada ainult kvalifitseeritud spetsialistidel ja ainult originaalvaruosadega.** Nii tagate seadme püsimise turvalisena.

## OHUTUSJUHISED PUURVASARATE KOHTA

- **Löökpüurtrellidega töötades kandke kõrvaklappe** (müra võib kuulmist kahjustada)
- **Kasutage tööriistaga kaasasolevaid külgakäepidemeid** (kontrolli kaotamine tööriista üle võib põhjustada vigastusi)
- Vältige töödeldavas esemes olevatest kruvidest, naeltest vms põhjustatud kahjustusi; eemaldage need enne töö alustamist
- Vältige toitejuhtme kokkupuutumist seadme pöörlevate osadega
- **Fikseerige toorik** (fiksaatoriga kinnitatud või kruustangide vahele pandud toorik püsib kindlamini paigal kui lihtsalt käega hoides)
- Enne tööriista juurest lahkumist lülitage see välja ning oodake, kuni selle liikuvad osad on täielikult seiskunud
- Pikendusjuhtmete kasutamisel jälgige, et juhe oleks lõpuni lahti keritud ja vastaks 16 A voolutugevusele
- Seadme elektrilise või mehhaanilise häire korral lülitage seade viivitamatult välja ja eemaldage pistik vooluvõrgust
- SKIL tagab seadme häireteta töö üksnes originaaltarvikute kasutamisel
- Kasutage vaid neid tarvikuid, mille lubatud pöörete arv on vähemalt sama suur nagu maksimaalsed tühikäigupöörded

- Antud tööriista kasutaja peab olema vähemalt 16 aastat vana
- **Varjatute paiknevate elektrijuhtmete, gaasi- või veetorude avastamiseks kasutage sobivaid otsimiseadmeid või pöörde kohaliku elektri-, gaasi- või vee-ettevõtte poole** (kokkupuutel elektrijuhtmetega tulekahju- ja elektrilöögioht; gaasitorustiku vigastamisel plahvatusoht; veetorustiku vigastamisel materiaalne kahju või elektrilöögioht)
- **Kui on oht, et tarvik võib puutuda kokku varjatud elektrijuhtme või seadme enda toitejuhtmega, tuleb elektrilist tööriista hoida ainult isoleeritud käepidemetest** (kokkupuude pingele all oleva juhtmega võib tekitada pinget seadme metallosades ja põhjustada elektrilöögi)
- **Asbestisaldava materjali töötlemine on keelatud** (asbest võib tekitada vähki)
- **Rakendage kaitsemeetmeid, kui töötamisel võib tekkida tervistkahjustavat, süttimis- või plahvatusohtlikku tolmu** (mõned tolmuliigid on vähkitekitava toimega); kandke tolmukaitsemaski ja võimaluse korral kasutage tolmu-/laastueemaldusseadist
- Kui toitejuhe saab töötamise ajal kahjustada või see lõigatakse läbi, ärge toitejuhet puutuge, vaid eemaldage koheselt pistik vooluvõrgust
- Ärge kunagi kasutage kahjustatud toitejuhtmega tööriista; laske see remonditöökojas välja vahetada
- Kontrollige, et võrgupinge vastaks tööriista andmesildile märgitud pingele (andmesildil lubatud 230 V või 240 V seadmeid võib kasutada ka 220 V pingele korral)
- Kui puur ootamatult blokeerub (põhjustades järsu, ohtliku reaktsiooni), lülitage seade koheselt välja
- Pöörake tähelepanu blokeerumisel tekkivatele jõududele (eriti metalli puurimisel); **hoidke tööriista alati külgakäepidemest H ②** ja võtke stabiilne tööasend
- **Enne seadme reguleerimist või tarvikute vahetust eemaldage seade vooluvõrgust (tõmmake pistik pistikupesast välja)**

## KASUTAMINE

- Sisse/välja ④
- Lülitit lukustamine pidevaks tööks ⑤
- Pöörete arvu reguleerimine sujuvaks käivituseks ⑥
- Maksimumkiiruse kontroll ⑦
- Regulaatoriga B ② saab maksimaalpöördeid vastavas vahemikus sujuvalt reguleerida
- Pöörlemisuuna ümberlülitamine ⑧
  - kui lüliti ei ole korralikult fikseerunud vasakus/paremas asendis, ei ole võimalik töölülitile A vajutada
- **! pöörlemisuunda tohib muuta üksnes siis, kui seade on täielikult seiskunud**
- Töörežiimi valik ⑨
  - vajutage nupule F lüliti E lahtikeeramiseks
  - pöörake lüliti E soovitud tööasendisse kuni see klõpsatab kinni

**! alutage töötamist vaid siis, kui lüliti E on lukustatud**

1 = tavaline puurimine/ kruvide keeramine

2 = lõõkpuurimine

3 = meiseldamine pöörleva meisliga

4 = meiseldamine fikseeritud meisliga

**! töörežiimi tohib muuta vaid siis, kui seade on välja lülitatud**

- puidu, metalli ja plastmaterjalide puurimiseks ning kruvide keeramiseks tuleb kasutada juurdekuuluvat adapterit (vt Tööjuhised)

- lõõkpuurimismehhanismi aktiveerib tööriistale avaldatav kerge surve, kui puur puutub vastu töödeldavat eset

- parimad puurimistulemused saate, kui rakendate tööriistale üksnes kergest survet; kerge surve on vajalik, et tekiks lõök; tugevam surve ei paranda puurimistulemust: SKIL LASEB TÖÖRIISTAL TEIE HEAKS TÖÖTADA

- Meiseldamine pöörleva meisliga ⑩

**! lülitage seade välja ja eemaldage pistik pistikupesast**

- valige “pöörlemisega” meiseldusrežiim

- Meiseldamine fikseeritud meisliga ⑪

**! lülitage seade välja ja eemaldage pistik pistikupesast**

- valige “pöörlemisega” meiseldusrežiim

- pöörake meisel soovitud asendisse

- valige fikseeritud meiseldusrežiim

- Otsakute vahetamine ⑫

- enne padrunisse asetamist tuleb tarvik puhastada ja kergelt määrada

- tõmmake fikseerimisrõngas G tagasi ja lükake tarvik pöördliigutusega SDS+ padrunisse; tarvik lukustub automaatselt

- kontrollige lukustust, tõmmates tarvikust

- tarviku eemaldamiseks tõmmake fikseerimisrõngast G tahapoole

**! SDS+ tarvik peab saama padrunis vabalt liikuda;**

**see põhjustab tühikäigul tarviku mõningase “viskumise”; puurimisel tsentreeerub tarvik padrunis automaatselt ja seetõttu ei mõjuta tühikäigul tekkiv “viskumine” puurimistäpsust**

**! ärge kasutage kahjustatud varrega otsakuid/ meisleid**

- Kaitsesidur

Peatab tarviku kinnikiidumisel spindli pöörlemise

- lülitage seade kohe välja

- eemaldage kinnikiidunud tarvik

- lülitage seade uuesti sisse

- Puurimissügavuse reguleerimine ⑬

- Tööriista hoidmine ja juhtimine ⑭

- **hoidke tööriista alati külkäepidemest H ②**

(reguleeritav vastavalt joonisele)

- hoidke õhutusavad kinnikatmata

- ärge suruge tööriistale liigselt; laske sellel enda heaks töötada

## TÖÖJUHISED

- Kasutage sobivaid otsakuid ⑮

**! kasutage ainult teravaid otsakuid/meisleid**

- Puidu, metalli ja plastmaterjalide puurimiseks ning kruvide keeramiseks kasutage juurdekuuluvat adapterit (SKIL lisatarvik 2610395660) ⑮

- enne paigaldamist tuleb adapter puhastada ja kergelt määrada

- tõmmake fikseerimisrõngas G ② tagasi ja lükake adapter pöördliigutusega SDS+ padrunisse; adapter lukustub automaatselt

- kontrollige lukustust, tõmmates adapterist

- ükake lüliti E ② tavalise puurimise asendisse (**kui seade on välja lülitatud**)

- Metalli puurimisel

- kui vajate suuremat auku, puurige alul ette väike auk

- määrige otsakuid aeg-ajalt õliga

- Kruvi keeramisel puidu otsapiirkonda on soovitatav auk ette puurida, et vältida puidu lõhenemist

- Puidu puurimine puitu kahjustamata ⑰

- Müüritse puurimine tolmu tekitamata ⑱

- Lagede puurimine tolmu tekitamata ⑲

- Keraamiliste plaatide puurimine, ilma et puur libiseks ⑳

- Rohkem nõuandeid leiata aadressil

[www.skileurope.com](http://www.skileurope.com)

## GARANTII / KESKKOND

- Hoidke seade ja toitejuhe alati puhtad (eriti õhutusavad)

**! enne puhastamist eemaldage seade vooluvõrgust**

- Sellele SKILI seadmele antav garantii on vastavuses seadustega/konkreetses riigi tingimustega; normaalsest kulumisest, ülekoormusest või seadme ebaõigest kasutamisest põhjustatud kahjustused ei kuulu garantiikorras hüvitamiseks

- Kaebuste korral toimetage **lahitmonteerimata** seade koos ostukviitungiga tarnijale või lähimasse SKILI lepingulisse töökotta (aadressid ja tööriista varuosade joonise leiata aadressil [www.skileurope.com](http://www.skileurope.com))

- **Ärge visake kasutuskõlbmatuks muutunud elektrilisi tööriistu, lisatarvikuid ja pakendeid ära koos olmejäätmetega** (üksnes EL liikmesriikidele)

- vastavalt Euroopa Parlamendi ja nõukogu direktiivile 2002/96/EÜ elektri- ja elektroonikaseadmete jäätmete kohta ning direktiivi nõuete kohaldamisele liikmesriikides tuleb kasutuskõlbmatuks muutunud elektrilised tööriistad koguda eraldi ja keskkonnasäästlikult korduvkasutada või ringlusse võtta

- seda meenutab Teile sümbol ⑳



## IEVADS

- Šis instruments ir paredzēts triecienurbšanai betonā, ķieģeli un akmeni, kā arī viegliem kalšanas darbiem; lai veiktu rotācijas urbšanu kokā, metālā un plastmasā, kā arī skrūvju ieskrūvēšanu, jālieto speciāli papildpiederumi
- Veicot urbšanu betonā, šā instrumenta triecienurbšanas sistēma pārspēj jebkuru tradicionālo triecienurbjmašīnu
- Šis instruments ir paredzēts izmantošanai kopā ar visiem SDS+ sistēmas darbinstrumentiem
- Izlasiet un saglabājiet šo pamācību ③

## TEHNISKIE PARAMETRI ①

### INSTRUMENTA ELEMENTI ②

- A Slēdzis instrumenta ieslēgšanai/izslēgšanai un ātruma regulators
- B Ritenītis maksimālā darbības ātruma iestādīšanai
- C Poga ieslēdzēja fiksēšanai
- D Svira darbvārpstas griešanās virziena pārslēgšanai
- E Darba režīma pārslēdzējs
- F Atbloķēšanas poga
- G Fiksējošā uzmava
- H Papildrokturis

## JŪSU DROŠĪBAI

### VISPĀRĪJIE DARBA DROŠĪBAS NOTEIKUMI

**⚠ UZMANĪBU!** Rūpīgi izlasiet visus drošības noteikumus. Šeit sniegto drošības noteikumu un norādījumu neievērošana var izraisīt aizdegšanos un būt par cēloni elektriskajam triecienam vai nopietnam savainojumam. **Pēc izlasīšanas uzglabājiet šos noteikumus turpmākai izmantošanai.** Turpmākajā izklāstā lietotais apzīmējums “elektroinstruments” attiecas gan uz tīkla elektroinstrumentiem (ar elektrokabēli).

#### 1) DROŠĪBA DARBA VIETĀ

- a) **Sekojiēt, lai darba vieta būtu tīra un sakārtota.** Nekārtīgā darba vietā vai sliktā apgaismojumā var viegli notikt nelaimes gadījums.
- b) **Nelietojiet elektroinstrumentu eksplozīvu vai ugunsnedrošu vielu tuvumā un vietās ar paaugstinātu gāzes vai putekļu saturu gaisā.** Darba laikā instruments nedaudz dzirksteļo, un tas var izsaukt viegli degošu putekļu vai tvaiku aizdegšanos.
- c) **Lietojot elektroinstrumentu, nelaujiet nepiederošām personām un jo īpaši bērniem tuvu darba vietai.** Citu personu klātbūtnē var novērst uzmanību, un tā rezultātā jūs varat zaudēt kontroli pār instrumentu.

#### 2) ELEKTRODROŠĪBA

- a) **Elektroinstrumenta kontaktdakšai jābūt piemērotai elektrotīkla kontaktligzdai. Kontaktdakšas konstrukciju nedrīkst nekādā veidā mainīt. Nelietojiet kontaktdakšas salāgotājus, ja elektroinstruments caur kabēli tiek savienots ar aizsargzēmējuma ķēdi.** Neizmainītas konstrukcijas kontaktdakšas, kas piemērota kontaktligzdai, ļauj samazināt elektriskā trieciena saņemšanas risku.
- b) **Darba laikā nepieskarieties saņemtiem priekšmetiem, piemēram, caurulēm, radiatoriem, plītim vai ledusskapjiem.** Pieskaroties saņemtam virsmām, pieaug risks saņemt elektrisko triecienu.
- c) **Nelietojiet elektroinstrumentu lietus laikā, neturiet to mitrumā.** Mitrumam iekļūstot instrumentā, pieaug risks saņemt elektrisko triecienu.
- d) **Nenesiet un nepiekariet elektroinstrumentu aiz elektrokabeļa. Neraujiet aiz kabēļa, ja vēlaties atvienot instrumentu no elektrotīkla kontaktligzdas. Sargājiet elektrokabēli no karstuma, eļļas, asām šķautnēm un instrumenta kustīgajām daļām.** Bojāts vai samezģojies elektrokabēlis var būt par cēloni elektriskajam triecienam.
- e) **Darbinot elektroinstrumentu ārpus telpām, izmantojiet tā pievienošanai vienīgi tādus pagarinātājkabeļus, kuru lietošana ārpus telpām ir atļauta.** Lietojot elektrokabēli, kas piemērots darbam ārpus telpām, samazinās risks saņemt elektrisko triecienu.
- f) **Ja elektroinstrumentu tomēr nepieciešams lietot vietās ar paaugstinātu mitrumu, izmantojiet tā pievienošanai noplūdes strāvas aizsargreleju.** Lietojot noplūdes strāvas aizsargreleju, samazinās risks saņemt elektrisko triecienu.

#### 3) PERSONISKĀ DROŠĪBA

- a) **Darba laikā saglabājiet paškontroli un rīkojieties saskaņā ar veselo saprātu. Pārtrauciet darbu, ja jūtaties noguris vai atrodaties alkohola, narkotiku vai medikamentu izraisītā reibumā.** Strādājot ar elektroinstrumentu, pat viens neuzmanības mirklis var būt par cēloni nopietnam savainojumam.
- b) **Izmantojiet individuālos darba aizsardzības līdzekļus un darba laikā vienmēr nēsājiet aizsargbrilles.** Individuālo darba aizsardzības līdzekļu (putekļu maskas, neslīdošu apavu un aizsargķiveres vai ausu aizsargu) pielietošana atbilstoši elektroinstrumenta tipam un veicamā darba raksturam ļauj izvairīties no savainojumiem.
- c) **Nepieļaujiet elektroinstrumenta patvaļīgu ieslēgšanos. Pirms elektroinstrumenta pievienošanas elektrotīklam, kā arī pirms elektroinstrumenta pārņemšanas pārliecinieties, ka tas ir izslēgts.** Pārnesot elektroinstrumentu, ja pirksts atrodas uz ieslēdzēja, kā arī pievienojot to elektrobarošanas avotam laikā, kad elektroinstruments ir ieslēgts, var viegli notikt nelaimes gadījums.

- d) Pirms instrumenta ieslēgšanas neaizmirstiet izņemt no tā regulējošos instrumentus vai skrūvjatslēgas. Patronatslēga vai skrūvjatslēga, kas instrumenta ieslēgšanas brīdī nav izņemta no tā, var radīt savainojumu.
- e) **Strādājot ar elektroinstrumentu, ieturiet stingru stāju. Darba laikā vienmēr saglabājiet līdzsvaru un centieties nepasīdēt.** Tas atvieglos instrumenta vadību neparedzētās situācijās.
- f) **Izvēlieties darbam piemērotu apģērbu. Darba laikā nenēsājiet brīvi plandošas drēbes un rotaslietas. Netuviniet matus, apģērbu un aizsargcimdus instrumenta kustīgajām daļām.** Vaļiņas drēbes, rotaslietas un gari mati var iekļerties instrumenta rotasliedzēs.
- g) **Ja elektroinstrumenta konstrukcija ļauj tam pievienot ārējo putekļu uzsūkšanas vai savākšanas/uzkrāšanas ierīci, sekojiet, lai tā tiktu pievienota elektroinstrumentam un pareizi darbotos.** Pielietojot putekļu uzsūkšanu vai savākšanu/uzkrāšanu, samazinās to kaitīgā ietekme uz strādājošās personas veselību.
- 4) ELEKTROINSTRUMENTU LIETOŠANA UN APKOPE**
- a) **Nepārslodojiet elektroinstrumentu. Katram darbam izvēlieties piemērotu instrumentu.** Elektroinstrumentu darbības laikā ir drošāk pie nominālās slodzes.
- b) **Nelietojiet elektroinstrumentu, ja ir bojāts tā ieslēdzējs.** Elektroinstrumentu, ko nevar ieslēgt un izslēgt, ir bīstams lietošanai un to nepieciešams remontēt.
- c) **Pirms apkopes, regulēšanas vai darbinstrumenta nomainīšanas atvienojiet elektroinstrumenta kontaktdakšu no barojošā elektrotīkla.** Šādi iespējams samazināt elektroinstrumenta nejaušanās ieslēgšanas risku.
- d) **Elektroinstrumentu, kas netiek darbināts, uzglabājiet piemērotā vietā, kur tas nav sasniedzams bērniem un personām, kuras neprot rīkoties ar instrumentu.** Ja elektroinstrumentu lieto nekompetentas personas, tas var apdraudēt cilvēku veselību.
- e) **Rūpīgi veiciet elektroinstrumenta apkalpošanu. Pārbaudiet, vai kustīgās daļas darbojas bez traucējumiem un nav iespīlētas, vai kāda no daļām nav salauzta vai bojāta, vai katra no tām pareizi funkcionē un pilda tai paredzēto uzdevumu. Nodrošiniet, lai bojātās daļas tiktu savlaicīgi nomainītas vai remontētas pilnvarotā remonta darbinicā.** Daudzi nelaimes gadījumi notiek tāpēc, ka elektroinstrumentu pirms lietošanas nav pienācīgi apkalpoti.
- f) **Savlaicīgi notīriet un uzasiniet griezošos darbinstrumentus.** Rūpīgi kopti instrumenti, kas apgādāti ar asiem griežējinstrumentiem, ļauj strādāt daudz ražīgāk un ir vieglāk vadāmi.

- g) **Lietojiet vienīgi tādus elektroinstrumentus, papildpiederumus, darbinstrumentus utt., kas paredzēti attiecīgajam pielietojuma veidam. Bez tam jāņem vērā arī konkrētie darba apstākļi un pielietojuma īpatnības.** Elektroinstrumentu lietošana citiem mērķiem, nekā to ir paredzējusi ražotājfirma, ir bīstama un var novest pie neparedzamām sekām.

## 5) APKALPOŠANA

- a) **Nodrošiniet, lai Instrumenta remontu veiktu kvalificēts personāls, nomainījot izmantoto oriģinālās rezerves daļas un piederumus.** Tikai tā iespējams panākt instrumenta ilgstošu un nevainojamu darbību bez atteikumiem.

## DARBA DROŠĪBAS NOTEIKUMI PERFORATORIEM

- **Strādājot ar triecienubmašīnām, valkājiet ausu aizsargus** (pretējā gadījumā instrumenta radītais troksnis var radīt dzirdes traucējumus)
- **Strādājot ar instrumentu, vienmēr izmantojiet tā piegādes komplektā ietilpstošos papildrokturus** (kontrolas zudums pār instrumenta vadību var būt pār iemeslu traumām)
- Izvairieties no instrumenta bojājumiem, kurus var izsaukt apstrādājamajā priekšmetā esošās skrūves, naglas vai citi līdzīgi objekti; tādēļ pirms darba uzsākšanas atbrīvojiet apstrādājamo materiālu no šādiem priekšmetiem
- Darba laikā sekojiet, lai elektrokabeļi atrastos drošā attālumā no instrumenta kustīgajām daļām
- **Nostipriniet detaļu** (drošāk detaļu nostiprināt ar spailēm vai skrūvspīlēm, nevis turēt rokā)
- Pirms instrumenta novietošanas izslēdziet tā elektrodzinēju un nogaidiet, līdz ir pilnīgi apstājušās visas instrumenta kustīgās daļas
- Lietojiet pilnīgi attīstus un drošus pagarinātājkabeļus, kas paredzēti 16 A strāvai
- Elektriska vai mehāniska rakstura kļūmes gadījumā nekavējoties izslēdziet instrumentu un atvienojiet kabeļa kontaktdakšu no elektrotīkla
- Firma SKIL garantē instrumenta nevainojamu darbību tikai tad, ja tiek lietoti oriģinālie papildpiederumi
- Lietojiet tikai tādus darbinstrumentus, kuru pieļaujamais darbības ātrums ir vismaz tikpat liels, kā instrumenta maksimālais tukšgaitas ātrums
- Šo instrumentu nedrīkst izmantot personas, kas jaunākas par 16 gadiem
- **Ar piemērota metālmeklētāja palīdzību pārbaudiet, vai apstrādes vietu nešķērso slēptas elektropārvades līnijas, kā arī gāzes vai ūdens caurules; šaubu gadījumā griezieties vietējā komunālās saimniecības iestādē** (darbinstrumentam skarot elektrotīkla fāzes līniju, var izcelties ugunsgrēks un strādājošais var saņemt elektrisko triecienu; gāzes vada bojājums var izraisīt sprādzienu; darbinstrumentam skarot ūdensvada cauruli, var tikt bojātas materiālās vērtības un strādājošais var saņemt elektrisko triecienu)

- **Veicot darbu apstākļos, kad darbinstruments var skart slēptu elektropārvades līniju vai paša instrumenta elektrokabeli, turiet instrumentu tikai aiz izolētajiem rokturiem** (darbinstrumentam skarot spriegumu nesošus vadus, šis spriegums nonāk arī uz instrumenta strāvu vadošajām daļām un var būt par cēloni elektriskajam triecienam)
- **Neapstrādājiet materiālus, kas satur azbestu** (azbestam piemīt kancerogēnas īpašības)
- **Veiciet nepieciešamos drošības pasākumus, ja darba gaitā var izdalīties veselībai kaitīgi, ugunsnedroši vai sprādzienbīstami putekļi** (daudzu materiālu putekļiem piemīt kancerogēnas īpašības); darba laikā nēsājiet aizsargmasku un pielietojiet putekļu un skaidu uzsūkšanu, ja instrumenta konstrukcija ļauj tam pievienot ārējo putekļu un skaidu uzsūkšanas ierīci
- Ja darba laikā tiek caurdurts vai citādi mehāniski bojāts instrumenta elektrokabelis, nepieskarieties tam, bet nekavējoties atvienojiet elektrokabeļa kontaktdakšu no barojošā elektrotīkla
- Neizmantojiet instrumentu, kuram ir bojāts elektrokabelis; tā nomaīņu drikst veikt tikai pieredzējis speciālists
- Sekojiet, lai elektrotīkla spriegums atbilstu instrumenta marķējuma plāksnītē uzrādītajai sprieguma vērtībai (230V vai 240V spriegumam paredzētie instrumenti var darboties arī no 220V elektrotīkla)
- Ja darba laikā urbis pēkšņi iesprūst urbumā, tas var radīt ievērojamu reaktīvo momentu, kas savukārt var būt par cēloni negadījumam; šādā gadījumā nekavējoties izslēdziet instrumentu
- Ņemiet vērā reaktīvo spēku, kas rodas darbinstrumentam iesprūstot (īpaši, veicot urbšanu metālā), **vienmēr izmantojiet papildrokturi H 2** un nodrošiniet stabilu pamatu zem kājām
- **Pirms instrumenta regulēšanas vai palīgpiederumu nomaīņas atvienojiet to no barojošā elektrotīkla**

## DARBS

- Ieslēgšana/izslēgšana ④
- Instrumenta ieslēgšana ilgstošai darbībai, fiksējot tā ieslēdzēju ⑤
- Darbvārpstas griešanās ātruma bezpakāpju regulēšana ⑥
- Maksimālā darbvārpstas griešanās ātruma ierobežošana ⑦  
Ar riteniša B ② palīdzību iespējams nodrošināt vienmērīgu maksimālā darbības ātruma regulēšanu no minimālās vērtības līdz maksimālai
- Rotācijas virziena pārslēgšana ⑧
  - ja darbvārpstas griešanās virziena pārslēdzējs nav precīzi iestādīts galējā labējā/kreisajā stāvoklī, ieslēdzēju A nav iespējams aktivēt
- ! **pārslēdziet instrumenta rotācijas virzieni tikai tad, kad instruments ir pilnībā apstājies**
- Darba režīma izvēle ⑨
  - piespiest pogu F, lai atbloķētu slēdzi E
  - pagrieziet slēdzi E uz vēlamo darba režīmu, līdz tas nofiksējas

- ! **sākt strādāt tikai tad, kad slēdzis E ir nobloķēts**
  - 1 = parastā urbšana/skrūvju ieskrūvēšana
  - 2 = triecienurbšana
  - 3 = kalšana ar rotējošu kaltu
  - 4 = kalšana ar fiksētu kaltu
- ! **darbības režīma pārslēgšanas brīdī instrumentam obligāti jābūt izslēgtam**
  - lai ar šo instrumentu veiktu urbšanu kokā, metālā un plastmasā, kā arī skrūvju ieskrūvēšanu, jāizmanto atbilstošs adapters (skatīt: Praktiski padomi)
  - perforatora triecienmehānisms tiek aktivēts, izdarot vieglu spiedienu uz instrumentu, kad tā urbja gals pieskaras apstrādājamajam priekšmetam augstu triecienurbšanas kvalitāti var panākt, izdarot tikai vieglu
  - spiedienu uz instrumentu, kas nepieciešams, lai darbotos automātiskais sajūgs; izdarot lielāku spiedienu uz instrumentu, urbšanas kvalitāte neuzlabojas: SKIL INSTRUMENTS STRĀDĀ JŪSU VIETĀ
- Kalšana ar rotējošu kaltu ⑩
  - ! **izslēdziet instrumentu un atvienojiet to no strāvas kontaktligzdas**
    - izvēlieties rotējoša kalta režīmu
- Kalšana ar fiksētu kaltu ⑪
  - ! **izslēdziet instrumentu un atvienojiet to no strāvas kontaktligzdas**
    - izvēlieties rotējoša kalta režīmu
    - novietojiet kaltu vajadzīgajā stāvoklī
    - izvēlieties fiksēta kalta režīmu
- Darbinstrumentu nomaīņa ⑫
  - pirms darbinstrumenta iestiprināšanas notīriet un ieeļļojiet to
  - pavelciet fiksējošo uznavu G virzienā uz instrumenta aizmuguri un ievietojiet darbinstrumenta kātu, to nedaudz pagrozot, SDS+ sistēmas urbjpatronā, līdz tas automātiski nofiksējas
  - pārbaudiet darbinstrumenta fiksāciju, nedaudz to pavelkot ārā no urbjpatronas
  - lai izņemtu darbinstrumentu no urbjpatronas, pavelciet fiksējošo uznavu G virzienā uz instrumenta aizmuguri
- ! **SDS+ sistēmas darbinstrumentiem piemīt īpatnība, ka, instrumentam darbojoties tukšgaitā, urbjpatronā iestiprinātais darbinstruments rotē ar zināmu radiālu ekscentritāti; taču tas neietekmē urbumu precizitāti, jo urbšanas laikā darbinstruments automātiski centrējas**
- ! **neizmantojiet darbinstrumentus/kaltus ar bojātu kātu**
- Pārslodzes sajūgs  
Ja darba gaitā darbinstruments iestrēgst urbumā, perforatora darbvārpstas piedziņa automātiski tiek pārtraukta (izsaucot grabēšanai līdzīgu troksni)
  - nekavējoties izslēdziet instrumentu
  - atbrīvojiet iestrēgušo darbinstrumentu
  - atkal ieslēdziet instrumentu

- Urbšanas dziļuma iestādīšana ⑬
- Instrumenta turēšana un vadīšana ⑭
  - **vienmēr izmantojiet papildrokturi H** ② (tā stāvoklis ir regulējams, kā parādīts zīmējumā)
  - nenosprostojiet instrumenta ventilācijas atveres
  - darba laikā pārlieku nespiediet instrumentu; ļaujiet tam darboties nominālā režīmā

## PRAKTISKI PADOMI

- Lietojiet tikai tādus darbinstrumentus, kuru tips atbilst apstrādājamajam materiālam ⑮
- ! **lietojiet tikai asus darbinstrumentus/kaltus**
- Lai veiktu urbšanu kokā, metālā un plastmasā, kā arī skrūvju ieskrūvēšanu, izmantojiet atbilstošu adapteru (SKIL papildpiederums 2610395660) ⑯
  - pirms pievienošanas adapteru notīriet un nedaudz ieeļļojiet
  - pavelciet fiksējošo uznavu G ② virzienā uz instrumenta aizmuguri un iestipriniet savienotos adapteru, tos nedaudz pagrozot, SDS+ sistēmas urbjpatronā, līdz adapters automātiski nofiksējas
  - pārbaudiet adaptera fiksāciju, nedaudz to pavelkot ārā no urbjpatronas
  - ar pārslēdzēja E ② palīdzību iestādiet urbšanas režīmu (**darba režīma pārslēgšanas brīdī instrumentam jābūt izslēgtam**)
- Melno metālu urbšana
  - ja nepieciešams izurbt atveri ar lielu diametru, vispirms izurbiet mazāku atveri
  - laiku pa laikam ieeļļojiet urbi
- Veicot skrūves ieskrūvēšanu tuvu koka priekšmetai vai konstrukcijas malai, vispirms ieteicams izurbt atveri, lai nepieļautu koksnes plaisāšanu
- Urbumu veidošana koksnē bez apstrādājamā materiāla daļiņu atšķelšanās ⑰
- Urbumu veidošana sienās, vienlaicīgi savācot urbšanas rezultātā radušos grūžus ⑱
- Urbumu veidošana griestos, vienlaicīgi savācot urbšanas rezultātā radušos grūžus ⑲
- Urbumu veidošana flīzēs, nepieļaujot to saplaisāšanu ⑳
- Papildu ieteikumi ir sniegti datortikla vietnē [www.skileurope.com](http://www.skileurope.com)

## GARANTĪJA / APKĀRTĒJĀS VIDES AIZSARDŽĪBA

- Uzturiet tīru instrumentu un elektrokabli (īpaši ventilācijas atveres)
  - ! **pirms instrumenta tīrīšanas atvienojiet to no elektrotīkla**
- Šim firmas SKIL izstrādājumam ir noteikta ražotāja garantija saskaņā ar starptautiskajā un nacionālajā likumdošanā noteiktajām prasībām un noteikumiem; taču tā neattiecas uz bojājumiem, kuru cēlonis ir instrumenta normāls nodilums, pārslodze vai nepareiza apiešanās ar to

- Rodoties pretenzijām, nogādājiet izstrādājumu kopā ar iegādes dokumentiem tuvākajā tirdzniecības vietā vai firmas SKIL pilnvarotā pēciegādes apkalpošanas un remontu iestādē **neizjauktā veidā** (adreses un instrumenta apkalpošanas shēma tiek sniegta interneta adresē [www.skileurope.com](http://www.skileurope.com))
- **Neizmetiet elektroiekārtas, piederumus un iesaiņojuma materiālus sadzīves atkritumos** (tikai ES valstīm)
  - saskaņā ar Eiropas Savienības direktīvu 2002/96/ES par nolietotajām elektriskajām un elektroniskajām iekārtām un tās atspoguļojumiem nacionālajā likumdošanā, nolietotās elektroiekārtas ir jāsavāc, jāizjauca un jānogādā atsevišķai pārstrādei apkārtējai videi draudzīgā veidā
  - īpašs simbols ㉑ atgādina par nepieciešamību tos utilizēt videi nekaitīgā veidā

LT

## Perforatius

1765

### ĪVADAS

- Šis įrankis skirtas smūginiam betono, plytų ir akmens gręžimui, o taip pat lengviems kirtimo darbams; gręžiant medieną, metalą, keramiką bei plastmasę ar sukant varžtus, reikia naudoti specialią papildomą įrangą
- Šio prietaiso smūginė gręžimo sistema, gręžiant betoną, yra daug pranašesnė, nei bet kurio smūginio gręžtuvo
- Su šiuo prietaisu galima naudoti visą standartinę SDS+ sistemoms papildomą įrangą
- Perskaitykite ir išsaugokite šią naudojimo instrukciją ③

## TECHNINĖS CHARAKTERISTIKOS ①

### PRIETAISO ELEMENTA ②

- A Jungiklis įjungimui/išjungimui ir greičiui valdyti
- B Ratukas maksimalių sūkių reguliavimui
- C Jungiklio A fiksatorius
- D Sukimosi krypties svirtelė
- E Darbo režimų perjungiklis
- F Išjungimo mygtukas
- G Užraktinis žiedas
- H Pagalbinė rankena

## DARBO SAUGA

### BENDROSIOS DARBO SAUGOS NUORODOS

**⚠ DĖMESIO! Perskaitykite visas šias saugos nuorodas ir reikalavimus.** Jei nepaisysite žemiau pateiktų saugos nuorodų ir reikalavimų, gali tenkti elektros smūgis, kilti gaisras ir/arba galite sunkiai susižaloti arba sužaloti kitus asmenis. **Išsaugokite šias saugos nuorodas ir reikalavimus, kad ir ateityje galėtumėte jas pasinaudoti.** Toliau pateiktame tekste vartojama sąvoka “elektrinis įrankis” apibūdina įrankius, maitinamus iš elektros tinklo (su maitinimo laidu).

## 1) DARBO VIETOS SAUGUMAS

- a) **Darbo vieta turi būti švari ir tvarkinga.** Tinkama ar blogai apšviesta darbo vieta gali tapti nelaimingų atsitikimų priežastimi.
- b) **Nedirbkite tokioje aplinkoje, kur yra degių skysčių, dujų ar dulkių.** Elektriniai įrankiai gali kibirkščiuoti, o nuo kibirkščių dulkės arba susikaupę garai gali užsidegti.
- c) **Dirbdami su elektriniu įrankiu neleiskite šalia būti žiūrovams, vaikams ir lankytojams.** Nukreipę dėmesį į kitus asmenis galite nebesuvaldyti prietaiso.

## 2) ELEKTROSAUGA

- a) **Maitinimo laido kištukas turi atitikti tinklo rozetės tipą.** Kištuko jokių būdų negalima modifikuoti. Nenaudokite jokių kištuko adapterių su žemintais prietaisais. Originalūs kištukai, tiksliai tinkantys elektros tinklo rozetei, sumažina elektros smūgio pavojų.
- b) **Venkite kūno kontakto su žemintais paviršiais, tokiais kaip vamzdžiai, šildytuvai, viryklės ar šaldytuvai.** Egzistuoja padidinta elektros smūgio rizika, jei Jūs kūnas bus žemintas.
- c) **Saugokite prietaisą nuo lietaus ir drėgmės.** Jei vanduo patenka į elektrinį prietaisą, padidėja elektros smūgio rizika.
- d) **Nenaudokite maitinimo laido ne pagal paskirtį, t. y. neneškite prietaiso paėmę už laido, nekabinkite prietaiso už laido, netraukite už jo, norėdami išjungti kištuką iš rozetės.** Laidą klokite taip, kad jo neveiktų karštis, jis neišsitemptų alyva ir jo nepažeistų aštrios detalės ar judančios prietaiso dalys. Pažeisti arba susipynę laidai gali tapti elektros smūgio priežastimi.
- e) **Jei su elektriniu įrankiu dirbate lauke, naudokite tik tokius ilginimo kabelius, kurie tinka lauko darbams.** Naudojant lauko darbams pritaikytus ilginimo kabelius, sumažinamas elektros smūgio pavojus.
- f) **Jei su elektriniu įrankiu neišvengiamai reikia dirbti drėgnoje aplinkoje, naudokite žemimo grandinės pertraukiklį.** Naudojant žemimo grandinės pertraukiklį, sumažėja elektros smūgio pavojus.

## 3) ŽMONIŲ SAUGA

- a) **Būkite atidūs, sutelkite dėmesį į tai, ką Jūs darote ir, dirbdami su elektriniu įrankiu, vadovaukitės sveiku protu.** Nedirbkite su prietaisu, jei esate pavargę arba vartojote narkotikus, alkoholį ar medikamentus. Akimirksniu neatidumas naudojant prietaisą gali tapti rimtų sužalojimų priežastimi.
- b) **Naudokite asmenines apsaugos priemones ir visuomet užsidėkite apsauginius akinius.** Naudojant asmenines apsaugos priemones, pvz., respiratorių ar apsauginę kaukę, neslystančius batus, apsauginį šalimą, klausos apsaugos priemones ir kt., rekomenduojamas dirbant su tam tikros rūšies įrankiais, sumažėja rizika susižeisti.
- c) **Saugokitės, kad neįjungtumėte prietaiso atsitiktinai. Prieš prijungdami elektrinį įrankį prie elektros tinklo, prieš pakeldami ar nešdami įsitinkinkite, kad jis yra išjungtas.** Jeigu nešdami elektrinį įrankį pirštą laikysite ant jungiklio arba prietaisą įjungsite į elektros tinklą, kai jungiklis yra įjungtas, gali įvykti nelaimingas atsitikimas

- d) **Prieš įjungdami prietaisą pašalinkite reguliavimo įrankius arba veržlių raktus.** Prietaiso besisukančioje dalyje esantis įrankis ar raktas gali tapti sužalojimų priežastimi.
  - e) **Nepervertinkite savo galimybių. Dirbdami atsistokite patikimai ir visada išlaikykite pusiausvyrą.** Patikima stovėsenai ir tinkama kūno laikysena leis geriau kontroliuoti prietaisą netikėtose situacijose.
  - f) **Dėvėkite tinkamą aprangą. Nedėvėkite plačių drabužių ir papuošalų.** Saugokite plaukus, drabužius ir pirštines nuo besisukančių prietaiso dalių. Laisvus drabužius, papuošalus bei ilgus plaukus gali įtraukti besisukančios dalys.
  - g) **Jei yra numatyta galimybė prijungti dulkių nusiurbimo ar surinkimo įrenginius, visada įsitikinkite, ar jie yra prijungti ir ar teisingai naudojami.** Naudojant dulkių nusiurbimo įrenginius sumažėja kenksmingas dulkių poveikis.
- ## 4) RŪPEŠTINGA ELEKTRINIŲ ĮRANKIŲ PRIEŽIŪRA IR NAUDOJIMAS
- a) **Neperkraukite prietaiso. Naudokite Jūsų darbui tinkamą elektrinį įrankį.** Su tinkamu elektriniu įrankiu Jūs dirbsite geriau ir saugiau, jei neviršysite nurodyto galimumo.
  - b) **Nenaudokite elektrinio įrankio su sugedusiu jungikliu.** Elektrinis įrankis, kurio nebegalima įjungti ar išjungti, yra pavojingas ir jį reikia remontuoti.
  - c) **Prieš reguliuodami prietaisą, keisdami darbo įrankius ar prieš valydami prietaisą ištraukite kištuką iš elektros tinklo rozetės.** Ši saugumo priemonė apsaugos jus nuo netikėto prietaiso įsijungimo.
  - d) **Nenaudokite prietaisą sandėliuokite vaikams ir nemokantiems juo naudotis asmenims neprieinamoje vietoje.** Elektriniai įrankiai yra pavojingi, kai juos naudoja nepatyrę asmenys.
  - e) **Rūpestingai prižiūrėkite prietaisą. Tikrinkite, ar besisukančios prietaiso dalys tinkamai veikia ir niekur neklūva, ar nėra sulūžusių ar šiaip pažeistų dalių, kurios įtakotų prietaiso veikimą.** Prieš vėl naudojant prietaisą pažeistos prietaiso dalys turi būti suremontuotos. Daugelio nelaimingų atsitikimų priežastis yra blogai prižiūrimi elektriniai įrankiai.
  - f) **Pjovimo įrankiai turi būti aštrūs ir švarūs.** Rūpestingai prižiūrėti pjovimo įrankiai su aštriomis pjaunamosiomis briaunomis mažiau stringa ir juos yra lengviau valdyti.
  - g) **Elektrinį įrankį, papildomą įrangą, darbo įrankius ir t. t. naudokite taip, kaip nurodyta šioje instrukcijoje. Taip pat atsižvelkite į darbo sąlygas bei atliekamo darbo pobūdį.** Naudojant elektrinius įrankius ne pagal jų paskirtį galima sukelti pavojingas situacijas.

## 5) APTARNAVIMAS

- a) **Prietaisą turi remontuoti tik kvalifikuotas specialistas ir naudoti tik originalias atsargines dalis.** Taip galima garantuoti, jog prietaisas išliks saugus.

## DARBŲ SAUGOS NUORODOS DIRBANTIEMS SUPERFORATORIAIS

- **Dirbdami su smūginiu gręžtuvu, naudokite klausos apsaugos priemones** (kylantis triukšmas gali pakenkti klausai)
- **Visuomet dirbkite tik pritvirtinę pagalbinę rankeną, tiekiamą kartu su įrankiu** (praradę prietaiso kontrolę dirbant, galite susižeisti)
- Saugokite, kad nepažeistumėte prietaiso į ruošinyje esančius varžtus, vinius ir pan; prieš pradėdami darbą juos pašalinkite
- Pasirūpinkite, kad maitinimo kabelis nebūtų arti besisukančių prietaiso dalių
- **Saugiai laikykite tvirtinamą dirbinį** (dirbinį, kuris segamas ar kalamas kabių kalimo įrankiais, saugiau laikyti spaustuviu nei ranka)
- Prieš padėdami prietaisą jį išjunkite ir palaukite, kol visos besisukančios jo dalys visiškai sustos
- Naudodami ilginamuosius kabelius atkreipkite dėmesį j tai, kad kabelis būtų iki galo išvyniotas ir būtų pritaikytas 16 A elektros srovei
- Atsiradus mechaninio ar elektrinio pobūdžio trikdžiai, tuojau pat išjunkite prietaisą ir ištraukite kištuką iš elektros tinklo lizdo
- SKIL gali garantuoti nepriekaištingą prietaiso veikimą tik tuo atveju, jei naudojama originali papildoma įranga ir priedai
- Leidžiama naudoti tik tokius įrankius, kurių maksimalus leistinas apsisukimų skaičius yra ne mažesnis, nei maksimalus Jūsų prietaiso sukčių skaičius
- Šį prietaisą turėtų naudoti tik asmenys, kuriems 16 ir daugiau metų
- **Naudodami tam skirtus paieškos prietaisus, patikrinkite, ar gręžimo vietoje nėra paslėptų komunalinių tinklų vamzdynų, arba pasikvieskite į pagalbą vietinius komunalinių paslaugų tiekėjus** (kontaktas su elektros laidais gali sukelti gaisro bei elektros smūgio pavojų; pažeidus dujotiekio vamzdį, gali įvykti sproginimas; pažeidus vandentiekio vamzdį, galima pridaryti daugybę nuostolių bei sukelti elektros smūgio pavojų)
- **Dirbdami ten, kur besisukantis įrankis galėtų kliudyti paslėptą laidą ar savo paties maitinimo laidą, laikykite prietaisą už izoliuotų rankenų** (dėl kontakto su laidininku, kuriuo teka elektros srovė, metalinėse prietaiso dalyse atsiranda įtampa ir naudotojas gali gauti elektros smūgį)
- **Draudžiama apdirbti medžiagas, kurių sudėtyje yra asbesto** (asbestas pasižymi vėžą sukeliančiu poveikiu)
- **Naudokite tinkamas apsaugos priemones, jei dirbant gali susidaryti pavojingos sveikatai, greitai užsiliepsnojantis arba sproginis dulkės** (kai kurių medžiagų dulkės gali sukelti vėžį); todėl yra būtina dirbti su apsauginiu respiratoriumi ir naudoti tinkamą išorinio nusiurbimo įrenginį, jei yra numatyta galimybė jį prijungti prie įrankio

- Jei dirbant bus pažeistas ar nutrauktas kabelis, būtina noliečiant kabelio tuojau pat ištraukti kištuką iš elektros tinklo lizdo
- Prietaisą su pažeistu kabeliu naudoti draudžiama; jį turi pakeisti kvalifikuotas elektrikas
- Visada patikrinkite, ar elektros tinklo įtampa atitinka prietaiso firminėje lentelėje nurodytą įtampą (prietaisus su nurodyta įtampa 230 V ir 240 V galima jungti į 220 V įtampos elektros tinklą)
- Netikėtai užstrigus gręžtui (atsiranda pavojingos reakcijos jėgos), tuojau pat išjunkite prietaisą
- Užstrigus gręžtui (ypač gręžiant metalą) dėl prietaiso sukimo momento atsiranda reakcijos jėgos, todėl dirbdami visada; **visuomet naudokite pagalbinę rankeną H** <sup>(2)</sup> bei patikimai stovėkite
- **Prieš reguliuojant prietaisą arba keičiant darbo įrankius, ištraukite kištuką iš el. tinklo lizdo**

## NAUDOJIMAS

- Įjungimas/išjungimas <sup>(4)</sup>
- Jungiklio fiksavimas ilgalaikiam darbui <sup>(5)</sup>
- Greičio reguliavimas, švelniai pradedant gręžimą <sup>(6)</sup>
- Maksimalaus sukčių skaičiaus reguliavimas <sup>(7)</sup>
- Ratuuku B <sup>(2)</sup> galima parinkti sukčių skaičių nuo mažiausio iki didžiausio
- Sukimosi krypties perjungiklis <sup>(8)</sup>
  - kol šis perjungiklis neužsifiksavo kairėje arba dešinėje padėtyje, negalėsite nuspausti jungiklio A
- ! **sukimosi kryptį perjungti tik prietaisui visiškai sustojus**
- Darbo režimų perjungimas <sup>(9)</sup>
  - paspauskite mygtuką F, kad išjungtumėte perjungiklį E
  - nustatykite perjungiklį E pageidaujamu darbo režimu, kol išgirsite spragtelėjimą
- ! **darbą pradėkite tik tuomet, kai perjungiklis E bus išjungtas**
  - 1 = normalus gręžimas ir varžtų sukimas
  - 2 = smūginis gręžimas
  - 3 = kalimas besisukančiu kaltu
  - 4 = kalimas fiksuotu kaltu
- ! **režimus keisti galite tik prietaisui neveikiant**
  - medienai, plienui ir plastmasei normaliai gręžti ir varžtams sukti naudokite atitinkamu adapteriu (žr. Naudojimo patarimai)
  - perforatoriaus smūginis mechanizmas įsijungia tuomet, kai, įjungę prietaisą, grąžtą lengvai prispaudžiame prie ruošinio
  - geriausių gręžimo rezultatų pasieksime tik lengvai spausdami įrankį prie ruošinio; sis prispaudimas yra reikalingas, norint sujungti automatinę sankabą; stipresnis prispaudimas gręžimo rezultatu nepagerins: SKIL SUKŪRĖ PRIETAISĄ, KURIS ATLIEKA DARBĄ UŽ JUS
- Kalimas besisukančiu kaltu <sup>(10)</sup>
  - ! **išjunkite prietaisą ir ištraukite kištuką iš lizdo**
  - pasirinkite "sukamojo" kalimo režimą

- Kalimas fiksuotu kalnu ①
  - ! **išjunkite prietaisą ir ištraukite kištuką iš lizdo**
  - pasirinkite "sukamojo" kalimo režimą
  - pridėkite kalną prie reikiamos vietos
  - pasirinkite "fiksuoto" kalimo režimą
- Antgalių pakeitimas ⑫
  - prieš įdėdami įrankį, jį nuvalykite ir lengvai sutepkite
  - užrakinį žiedą G patraukite atgal ir sukdami įrankį įstatykite į SDS+ gręžimo griebtuvą ir įstumkite, kol jis užsifiksuos; įrankis užsifiksuoja savaime
  - patraukdami įrankį patikrinkite, ar jis tinkamai užsifiksavo
  - įrankį išimkite užrakinį žiedą G patraukę atgal
  - ! **SDS+ įrankis turi judėti laisvai, todėl sukdamasis laisvąja eiga jis gali šiek tiek klibėti, bet gręžimo metu įrankis savaime centruojasi; tai neturi jokios įtakos gręžiamos skylės tikslumui**
  - ! **nenaudokite antgalių/tinkamo su pažeistu kotu**
- Apsauginė sankaba
 

Jei grąžtas užstringa, sukamojo judesio perdavimas sukliui yra nutraukiamas (pasigirsta terkslės garsas)

  - tuojau pat išjunkite prietaisą
  - išimkite užstrigusį įrankį
  - vėl įjunkite prietaisą
- Gręžimo gylio nustatymas ⑬
- Prietaiso laikymas ir valdymas ⑭
  - **visuomet naudokite pagalbinę rankeną H** ② (tvirtinti, kaip parodyta pav.)
  - ventiliacines angas laikykite neuždengtas
  - nespauskite prietaiso pemelyg stipriai; tegul prietaisas dirba už Jus

## NAUDOJIMO PATARIMAI

- Naudokite tinkamus darbo antgalius ⑮
  - ! **naudokite tik antgalių/tinkamo tipo grąžtus ir kaltus**
- Gręžiant plieną, medieną bei plastmasę ar sukant varžtus reikia naudoti atitinkamu adapteriu (SKIL papildoma įranga 2610395660) ⑯
  - prieš įstatydami adapterį jį nuvalykite ir lengvai sutepkite
  - užrakinį žiedą G ② patraukite atgal ir adapterį sukdami įstatykite į SDS+ griebtuvą ir įstumkite, kol jis užsifiksuos; adapteris užsifiksuoja automatiškai
  - patraukdami adapterį patikrinkite, ar jis tinkamai užsifiksavo
  - perjungiklį E ② nustatykite į normalaus gręžimo padėtį (**galima perjungti tik prietaisui neveikiant**)
- Gręžiant metalą
  - jei reikia gręžti didelio skersmens skylę, prieš tai išgręžkite mažą skylutę
  - retkarčiais patepkite grąžtą alyva
- Prieš sukant varžtą medinio ruošinio gale, visų pirma reikia išgręžti skylutę, kad medis nesuskiltų
- Medžio gręžimas be atplaišų ⑰
- Mūro sienos gręžimas be dulkių ⑱

- Lubų gręžimas be dulkių ⑲
- Plytelių gręžimas be įskilimų ⑳
- Daugiau patarimų rasite internete [www.skileurope.com](http://www.skileurope.com)

## GARANTIJA / APLINKOSAUGA

- Periodiškai valykite prietaisą ir kabelį (ypač ventiliacines angas)
  - ! **prieš valydami ištraukite kištuką iš elektros tinklo lizdo**
- Šiam SKIL gaminiui mes suteikiame garantiją pagal galiojančius įstatymus; gedimams, kurie atsirado dėl natūralaus susidėvėjimo, perkrovų arba netinkamo naudojimo, garantijos negalioja
- Pretenzijos atveju **neišardytą** prietaisą kartu su pirkimo čekiu siųskite tiekėjui arba į artimiausią SKIL firmos įgaliotą elektros prietaisų techninio aptarnavimo tarnybą (adresus bei atsarginių dalių brėžinius rasite [www.skileurope.com](http://www.skileurope.com))
- **Nemeskite elektrinių įrankių, papildomos įrangos ir pakuotės į buitinių atliekų konteinerius** (galioja tik ES valstybėms)
  - pagal ES Direktyvą 2002/96/EG dėl naudotų elektrinių ir elektroninių prietaisų atliekų utilizavimo ir pagal vietinius valstybės įstatymus atitarnavę elektriniai įrankiai turi būti surenkami atskirai ir gabenami į antrinių žaliavų tvarkymo vietas, kur jie turi būti sunaikinami ar perdirbami aplinkai nekenksmingu būdu
  - apie tai primins simbolis ㉑, kai reikės išmesti atitarnavusį prietaisą

- GB CE DECLARATION OF CONFORMITY** We declare under our sole responsibility that this product is in conformity with the following standards or standardized documents: EN 60 745, EN 55 014, in accordance with the provisions of the directives 73/23/EC, 2004/108/EC, 98/37/EC.  
**NOISE/VIBRATION** Measured in accordance with EN 60 745 the sound pressure level of this tool is 95 dB(A) and the sound power level 106 dB(A) (standard deviation: 3 dB), and the vibration \* m/s<sup>2</sup> (hand-arm method).  
**Technical file at:** SKIL Europe BV (PT-SEU/PJE), 4825 BD Breda, NL.
- F CE DÉCLARATION DE CONFORMITÉ** Nous déclarons sous notre propre responsabilité que ce produit est en conformité avec les normes ou documents normalisés suivants: EN 60 745, EN 55 014, conforme aux réglementations 73/23/EC, 2004/108/EC, 98/37/EC.  
**BRUIT/VIBRATION** Mesuré selon EN 60 745 le niveau de la pression sonore de cet outil est 95 dB(A) et le niveau de la puissance sonore 106 dB(A) (déviatoin standard: 3 dB), et la vibration \* m/s<sup>2</sup> (méthode main-bras).  
**Dossier technique auprès de:** SKIL Europe BV (PT-SEU/PJE), 4825 BD Breda, NL.
- D CE KONFORMITÄTSEKTLÄRUNG** Wir erklären in alleiniger Verantwortung, daß dieses Produkt mit den folgenden Normen oder normativen Dokumenten übereinstimmt: EN 60 745, EN 55 014, gemäß den Bestimmungen der Richtlinien 73/23/EG, 2004/108/EG, 98/37/EG.  
**GERÄUSCH/VIBRATION** Gemessen gemäß EN 60 745 beträgt der Schalldruckpegel dieses Gerätes 95 dB(A) und der Schalleistungspegel 106 dB(A) (Standard- abweichung: 3 dB), und die Vibration \* m/s<sup>2</sup> (Hand-Arm Methode).  
**Technische Unterlagen bei:** SKIL Europe BV (PT-SEU/PJE), 4825 BD Breda, NL.
- NL CE CONFORMITEITSVERKLARING** Wij verklaren, dat dit product voldoet aan de volgende normen of normatieve documenten: EN 60 745, EN 55 014, overeenkomstig de bepalingen van de richtlijnen 73/23/EG, 2004/108/EG, 98/37/EG.  
**GELUID/VIBRATIE** Gemeten volgens EN 60 745 bedraagt het geluidsrukniveau van deze machine 95 dB(A) en het geluidsvermogen-niveau 106 dB(A) (standaard deviatie: 3 dB), en de vibratie \* m/s<sup>2</sup> (hand-arm methode).  
**Technisch dossier bij:** SKIL Europe BV (PT-SEU/PJE), 4825 BD Breda, NL.
- S CE KONFORMITETSFÖRKLARING** Vi intygar och ansvarar för, att denna produkt överensstämmer med följande norm och dokument: EN 60 745, EN 55 014, enl. bestämmelser och riktlinjerna 73/23/EG, 2004/108/EG, 98/37/EG.  
**LJUD/VIBRATION** Ljudtrycksnivån som uppmätts enligt EN 60 745 är på denna maskin 95 dB(A) och ljudeffektnivån 106 dB(A) (standard deviation: 3 dB), och vibration \* m/s<sup>2</sup> (hand-arm metod).  
**Teknisk tillverkningsdokumentation finns hos:** SKIL Europe BV (PT-SEU/PJE), 4825 BD Breda, NL.
- DK CE KONFORMITETSEKTLÆRING** Vi erklærer under almindeligt ansvar, at dette produkt er i overensstemmelse med følgende normer eller normative dokumenter: EN 60 745, EN 55 014, i henhold til bestemmelserne i direktiverne 73/23/EF, 2004/108/EF, 98/37/EF.  
**STØJ/VIBRATION** Måles efter EN 60 745 er lydtrykniveau af dette værktøj 95 dB(A) og lydteffektniveau 106 dB(A) (standard deviation: 3 dB), og vibrationsniveauet \* m/s<sup>2</sup> (hånd-arm metoden).  
**Teknisk dossier hos:** SKIL Europe BV (PT-SEU/PJE), 4825 BD Breda, NL.
- N CE SAMSVARERKLÆRING** Vi erklærer at det er under vårt ansvar at dette produkt er i samsvar med følgende standarder eller standard- dokumenter: EN 60 745, EN 55 014, i samsvar med reguleringer 73/23/EF, 2004/108/EF, 98/37/EF.  
**STØY/VIBRASJON** Målt ifølge EN 60 745 er lydtryknivået av dette verktøyet 95 dB(A) og lydstyrkenivået 106 dB(A) (standard deviasjon: 3 dB), og vibrasjonsnivået \* m/s<sup>2</sup> (hånd-arm metode).  
**Tekniske underlag hos:** SKIL Europe BV (PT-SEU/PJE), 4825 BD Breda, NL.
- FIN CE TODISTUS STANDARDINMUKAISUUEDESTA** Todistamme läten ja vastaamme yksin siitä, että nämä tuote en allalueteltujen standardien ja standardoimisasiakirjojen vaatimusten mukainen EN 60 745, EN 55 014, seuraavien sääntöjen mukaisesti 73/23/ETY, 2004/108/ETY, 98/37/ETY.  
**MELU/TÄRINÄ** Mitattuna EN 60 745 mukaan työkalun melutaso on 95 dB(A) ja yleensä työkalun äänen voimakkuus on 106 dB(A) (keskihajonta: 3 dB), ja äärinän voimakkuus \* m/s<sup>2</sup> (käsi-käsivarsi metodi).  
**Tekninen tiedosto kohdasta:** SKIL Europe BV (PT-SEU/PJE), 4825 BD Breda, NL.
- E CE DECLARACION DE CONFORMIDAD** Declaramos bajo nuestra sola responsabilidad que este producto está en conformidad con las normas o documentos normalizados siguientes: EN 60 745, EN 55 014, de acuerdo con las regulaciones 73/23/CE, 2004/108/CE, 98/37/CE.  
**RUIDOS/VIBRACIONES** Medido según EN 60 745 el nivel de la presión acústica de esta herramienta se eleva a 95 dB(A) y el nivel de la potencia acústica 106 dB(A) (desviación estándar: 3 dB), y la vibración a \* m/s<sup>2</sup> (método brazo-mano).  
**Expediente técnico en:** SKIL Europe BV (PT-SEU/PJE), 4825 BD Breda, NL.



- P** **CE DECLARAÇÃO DE CONFIRMIDADE** Declaramos sob nossa exclusiva responsabilidade que este producto cumple as seguintes normas ou documentos normativos: EN 60 745, EN 55 014, conforme as disposições das directivas 73/23/CE, 2004/108/CE, 98/37/CE.  
**RUIDO/VIBRAÇÕES** Medido segundo EN 60 745 o nível de pressão acústica desta ferramenta é 95 dB(A) e o nível de potência acústica 106 dB(A) (espaço de erro: 3 dB), e a vibração \* m/s<sup>2</sup> (método braço-mão).  
**Processo técnico em:** SKIL Europe BV (PT-SEU/PJE), 4825 BD Breda, NL.
- I** **CE DICHIARAZIONE DI CONFORMITÀ** Dichiaramo, assumendo la piena responsabilità di tale dichiarazione, che il prodotto è conforme alle seguenti normative e ai relativi documenti: EN 60 745, EN 55 014 in base alle prescrizioni delle direttive CE 73/23, CE 2004/108, CE 98/37.  
**RUMOROSITÀ/VIBRAZIONE** Misurato in conformità al EN 60 745 il livello di pressione acustica di questo utensile è 95 dB(A) ed il livello di potenza acustica 106 dB(A) (deviazione standard: 3 dB), e la vibrazione \* m/s<sup>2</sup> (metodo mano-braccio).  
**Fascicolo tecnico presso:** SKIL Europe BV (PT-SEU/PJE), 4825 BD Breda, NL.
- H** **CE MINŐSÉGI TANUSÍTVÁNY** Teljes felelősségünk tudatában kijelentjük, hogy jelen termék a következő szabványoknak vagy kötelező hatósági előírásoknak megfelel: EN 60 745, EN 55 014, a 73/23/EK, 2004/108/EK, 98/37/EK előírásoknak megfelelően.  
**ZAJ/REZGÉS** Az EN 60 745 alapján végzett mérések szerint ezen készülék hangnyomás szintje 95 dB(A) a hangteljesítmény szintje 106 dB(A) (normál eltérés: 3 dB), a kézre ható rezgésszám \* m/s<sup>2</sup>.  
**A műszaki dokumentáció a következő helyen található:** SKIL Europe BV (PT-SEU/PJE), 4825 BD Breda, NL.
- CZ** **CE STRVZUJICI PROHLÁŠENÍ** Potvrzujeme na odpovědnost, že tento výrobek odpovídá následujícím normám nebo normativním podkladům: EN 60 745, EN 55 014, podle ustanovení směrníc 73/23/EG, 2004/108/EG, 98/37/EG.  
**HLUČNOSTI/VIBRACÍ** Měřeno podle EN 60 745 číni tlak hlukové vlny tohoto přístroje 95 dB(A) a dávka hlučnosti 106 dB(A) (standardní odchylka: 3 dB), a vibrací \* m/s<sup>2</sup> (metoda ruka-paže).  
**Technická dokumentace u:** SKIL Europe BV (PT-SEU/PJE), 4825 BD Breda, NL.
- TR** **CE STANDARDIZASYON BEYANI** Yeğane sorumlu olarak, bu ürünün aşağıdaki standartlara veya standart belgelerine uygun olduğunu beyan ederiz: EN 60 745, EN 55 014, yönetmeliği hükümleri uyarınca 73/23/EC, 2004/108/EC, 98/37/EC.  
**GÜRÜLTÜ/TİTREŞİM** Ölçülen EN 60 745 göre ses basıncı bu makinanın seviyesi 95 dB(A) ve çalışma sırasındaki gürültü 106 dB(A) (standart sapma: 3 dB), ve titreşim \* m/s<sup>2</sup> (el-kol metodu).  
**Teknik belgelerin bulunduğu merkez:** SKIL Europe BV (PT-SEU/PJE), 4825 BD Breda, NL.
- PL** **OŚWIADCZENIE ZGODNOŚCI CE** Niniejszym oświadczamy ponosząc osobistą odpowiedzialność, że produkt wykonany jest zgodnie z następującymi normami i dokumentami normalizującymi: EN 60 745, EN 55 014, z zgodnie z wytycznymi 73/23/WE, 2004/108/WE, 98/37/WE.  
**HAŁASU/WIBRACJE** Pomiarów dokonano zgodnie z normą EN 60 745 ciśnienie akustyczne narzędzia wynosi 95 dB(A) zaś poziom mocy akustycznej 106 dB(A) (poziom odchylenie: 3 dB), zaś vibracje \* m/s<sup>2</sup> (metoda dłoń-reka).  
**Dokumentacja techniczna:** SKIL Europe BV (PT-SEU/PJE), 4825 BD Breda, NL.
- RU** **ЗАЯВЛЕНИЕ О СООТВЕТСТВИИ** Мы с полной ответственностью заявляем, что это изделие соответствует следующим стандартам или стандартизованным документам: EN 60 745, EN 55 014, в соответствии с инструкциями 73/23/EC, 2004/108/EC, 98/37/EC.  
**ШУМНОСТИ/ВИБРАЦИИ** При измерении в соответствии со стандартом EN 60 745 уровень звукового давления для этого инструмента составляет 95 дБ (А) и уровень звуковой мощности - 106 дБ (А) (стандартное отклонение: 3 дБ), и вибрации - \* м/с<sup>2</sup> (по методу для рук).  
**Техническая документация у:** SKIL Europe BV (PT-SEU/PJE), 4825 BD Breda, NL.
- UA** **CE ВІДПОВІДНІСТЬ** Ми заявляємо, що відповідність даного продукту наступним стандартам і регулюючим документам повністю нашу відповідальністю: EN 60 745, EN 55 014, відповідно до положень директив 73/23/ЄС, 2004/108/ЄС, 98/37/ЄС.  
**ШУМ/ВІБРАЦІЯ** Зміряний відповідно до EN 60 745 рівень тиску звуку даного інструменту 95 дБ(А) і потужність звуку 106 дБ(А) (стандартне відхилення: 3 дБ), і вібрація \* м/с<sup>2</sup> (ручна методика).  
**Технічні документи в:** SKIL Europe BV (PT-SEU/PJE), 4825 BD Breda, NL.
- GR** **CE ΔΗΛΩΣΗ ΣΥΜΒΑΤΟΤΗΤΑΣ** Δηλώνουμε υπευθύνως ότι το προϊόν αυτό είναι κατασκευασμένο σύμφωνα με τους εχής κανονισμούς ή κατασκευαστικές συστάσεις: EN 60 745, EN 55 014, κατά τις διατάξεις των κανονισμών της Κοινής Αγοράς 73/23/ΕΚ, 2004/108/ΕΚ, 98/37/ΕΚ.  
**ΘΟΡΥΒΟ/ΚΡΑΔΑΣΜΟΥΣ** Μετρημένη σύμφωνα με EN 60 745 η στάθμη ακουστικής πίεσης αυτού του εργαλείου ανέρχεται σε 95 dB(A) και η στάθμη ηχητικής ισχύος σε 106 dB(A) (κοινή απόκλιση: 3 dB), και ο κραδασμός σε \* m/s<sup>2</sup> (μεθοδος χειρός/βραχίονα).  
**Τεχνικός φακέλος από:** SKIL Europe BV (PT-SEU/PJE), 4825 BD Breda, NL.



07 SKIL Europe BV A. v.d. Kloot



- RO** **DECLARAȚIE DE CONFORMITATE CE** Declarăm pe proprie răspundere că acest product este conform cu următoarele standarde sau documente standardizate: EN 60 745, EN 55 014, în conformitate cu regulile 73/23/EC, 2004/108/EC, 98/37/EC. **ZGOMOT/VIBRAȚII** Măsurat în conformitate cu EN 60 745 nivelul de presiune a sunetului generat de acest instrument este de 95 dB(A) iar nivelul de putere a sunetului 106 dB(A) (abaterea standard: 3 dB), iar nivelul vibrațiilor \* m/s<sup>2</sup> (metoda mână - braț). **Documentație tehnică la:** SKIL Europe BV (PT-SEU/PJE), 4825 BD Breda, NL.
- BG** **CE ДЕКЛАРАЦИЯ ЗА СЪОТВЕТСТВИЕ** Декларираме на изцяло наша отговорност, че това изделие е съобразено със следните стандарти или стандартизирани документи: EN 60 745, EN 55 014, в съответствие с нормативната уредба на 73/23/EG, 2004/108/EG, 98/37/EG. **ШУМ/ВИБРАЦИИ** Измерено в съответствие с EN 60 745 нивото на звуково налягане на този инструмент е 95 dB(A) а нивото на звукова мощност е 106 dB(A) (стандартно отклонение: 3 dB), а вибрациите са \* m/s<sup>2</sup> (метод ръка-рамо). **Подробни технически описания при:** SKIL Europe BV (PT-SEU/PJE), 4825 BD Breda, NL.
- SK** **CE PREHLÁSENIE O ZHODE** Výhradne na našu vlastnú zodpovednosť prehlasujeme, že tento výrobok zodpovedá nasledujúcim normám alebo normovaným dokumentom: EN 60 745, EN 55 014, v súlade s predpismi 73/23/EEC, 2004/108/EEC, 98/37/EEC. **HLUKU/VIBRÁCIÁCH** Merané podľa EN 60 745 je úroveň akustického tlaku tohto nástroja 95 dB(A) a úroveň akustického výkonu je 106 dB(A) (štandardná odchýlka: 3 dB), a vibrácie sú \* m/s<sup>2</sup> (metóda ruka - brat). **Súbor technickej dokumentácie sa nachádzajú na adrese:** SKIL Europe BV (PT-SEU/PJE), 4825 BD Breda, NL.
- HR** **CE IZJAVA O USKLA ĐENOSTI** Izjavljujemo uz punu odgovornost da je ovaj proizvod usklađen sa slijedećim normama i normativnim dokumentima: EN 60 745, EN 55 014, prema odredbama smjernica 73/23/EG, 2004/108/EG, 98/37/EG. **BUCI/ VIBRACIJAMA** Mjereno prema EN 60 745, prag zvučnog tlaka ovog električnog alata iznosi 95 dB(A) a jakost zvuka 106 dB(A) (standardna devijacija: 3 dB), a vibracija \* m/s<sup>2</sup> (postupkom na šaci-rući). **Tehnička dokumentacija se može dobiti kod:** SKIL Europe BV (PT-SEU/PJE), 4825 BD Breda, NL.
- SCG** **CE IZJAVA O USKLA ĐENOSTI** Pod punom odgovornošću izjavljujemo da je ovaj proizvod usklađen sa sledećim standardima ili standardizovanim dokumentima: EN 60 745, EN 55 014, u skladu sa odredbama smernica 73/23/EG, 2004/108/EG, 98/37/EG. **BUKA/VIBRACIJE** Mereno u skladu sa EN 60 745, nivo pritiska zvuka ovog alata iznosi 95 dB(A), a jačina zvuka 106 dB(A) (normalno odstupanje: 3 dB), a vibracija \* m/s<sup>2</sup> (mereno metodom na šaci-rući). **Tehnička dokumentacija kod:** SKIL Europe BV (PT-SEU/PJE), 4825 BD Breda, NL.
- SLO** **IZJAVA O USTREZNOSTI CE** Odgovorno izjavljamo, da je ta izdelek v skladu z naslednjimi standardi ali standardnimi dokumenti: EN 60 745, EN 55 014, v skladu s predpisi navodil 73/23/EG, 2004/108/EG, 98/37/EG. **HRUP/VIBRACIJA** Izmerjeno v skladu s predpisom EN 60 745 je raven zvočnega pritiska za to orodje 95 dB(A) in jakosti zvoka 106 dB(A) (standarden odmik: 3 dB), in vibracija \* m/s<sup>2</sup> (metoda 'dlan-roka'). **Tehnična dokumentacija se nahaja pri:** SKIL Europe BV (PT-SEU/PJE), 4825 BD Breda, NL.
- EST** **CE VASTAVUSDEKLARATSIIOON** Kinnitame ainuvastutajana, et see toode vastab järgmistele standarditele või normdokumentidele: EN 60 745, EN 55 014 vastavalt direktiivide 73/23/EÜ, 2004/108/EÜ, 98/37/EÜ nõuetele. **MÜRA/VIBRATSIIOON** Vastavalt kooskõlas normiga EN 60 745 läbi viidud mõõtmistele on antud seadme heliõhk 95 dB(A) ja helitugevus 106 dB(A) (standardkõrvalekalle: 3 dB), ja vibratsioon \* m/s<sup>2</sup> (käe-randme-meetod). **Tehniline toimik saadaval aadressil:** SKIL Europe BV (PT-SEU/PJE), 4825 BD Breda, NL.
- LV** **CE DEKLARĀCIJA PAR ATBILSTĪBU STANDARTIEM** Mēs ar pilnu atbildību paziņojam, ka šis izstrādājums atbilst standartiem vai standartizācijas dokumentiem EN 60 745, EN 55 014 un ir saskaņā ar direktīvām 73/23/EG, 2004/108/EG, 98/37/EG. **TRUKSNIS/VIBRĀCIJA** Saskaņā ar standartu EN 60 745 noteiktās instrumenta radītā trokšņa skaņas spiediena līmenis ir 95 dB(A) un skaņas jaudas līmenis ir 106 dB(A) (pie tipiskās izkliedes: 3 dB), un vibrācijas intensitāte ir \* m/s<sup>2</sup> (strādājot rokas režīmā). **Tehniškā lieta no:** SKIL Europe BV (PT-SEU/PJE), 4825 BD Breda, NL.
- LT** **CE KOKYBĖS ATITIKTIES DEKLARACIJA** Mes atsakingai pareiškiame, kad šis gaminyus atitinka tokius standartus ir normatyvinius dokumentus: EN 60 745, EN 55 014 pagal EEB reglamentų 73/23/EG, 2004/108/EG, 98/37/EG nuostatas. **TRIUKŠMINGUMAS/ VIBRACIJA** Šio prietaiso triukšmingumas buvo išmatuotas pagal EN 60 745 reikalavimus keliamo triukšmo garso slėgio lygis siekia 95 dB(A) ir akustinio galingumo lygis 106 dB(A) (standartinis nuokrypis: 3 dB), ir vibracijos pagreitis rankos plaštakos srityje tipiniu atveju yra mažesnis, kaip \* m/s<sup>2</sup>. **Techinė byla laikoma:** SKIL Europe BV (PT-SEU/PJE), 4825 BD Breda, NL.



07 SKIL Europe BV A. v.d. Kloot



\*

## 1765

- 1      23,8 m/s<sup>2</sup>
- 2      15,6 m/s<sup>2</sup>
- 3      1,5 m/s<sup>2</sup>

	1	2	3
(GB)	When hammer drilling in concrete	When chiseling	Uncertainty (K)
(F)	Pendant le perçage de percussion du béton	Pendant le burinage	Incertitude (K)
(D)	Beim Schlagbohren in Beton	Beim Meißeln	Unsicherheit (K)
(NL)	Bij het klopboren in beton	Bij het beitelen	Onzekerheid (K)
(S)	För slagborring i betong	För mejsling	Onoggrannhet (K)
(DK)	Ved slagboring i beton	Ved mejsling	Usikkerhed (K)
(N)	Ved slagboring i betong	Ved meisling	Usikkerhet (K)
(FIN)	Betoniin iskuporattaessa	Piikkattaessa	Epävarmuus (K)
(E)	Al taladrar con percusión en hormigón	Al cincelar	Incertidumbre (K)
(P)	Ao perfurar com percussão em betão	Ao cincelar	Incerteza (K)
(I)	Nella foratura a percussione nel cemento	Nella scalpellatura	Incertezza (K)
(H)	Beton ütvefúrásakor	Véséskor	Szórás (K)
(CZ)	Při vrtání do betonu s přiklepem	Při sekání	Nepřesnost (K)
(TR)	Betonde darbeli delerken	Keskileme esnasında	Tolerans (K)
(PL)	Podczas wiercenia udarowego w betonie	Podczas dłutowania	Błąd pomiaru (K)
(RU)	При сверлении с ударом в бетоне	При долблении	Недостоверность (K)
(UA)	При свердлінні з ударом в бетоні	При довбанні	Похибка (K)
(GR)	Όταν τρυπάτε με κρούση σε μπετόν	Όταν σμίλευσετε	Ανασφάλεια (K)
(RO)	Când găuriți cu percuteție în beton	Când dăltuiți	Incertitudine (K)
(BG)	При ударно пробиване в бетон	При използване	Неопределеност (K)
(SK)	Pri vrtání do betónu s príklepom	Pri sekaní	Nepresnosť (K)
(HR)	Kod udarnog bušenja u betonu	Kod dljetanja	Nesigurnost (K)
(SCG)	Pri udarnom bušenju betona	Pri klesanju	Nesigurnost (K)
(SLO)	Pri udarnem vrtanju v beton	Pri klesanju	Netočnost (K)
(EST)	Betooni löökpuurimisel	Meiseldustöödel	Mõõtemääramatus (K)
(LV)	Veicot triecienurbšanu betonā	Veicot izciršanu	Izkliede (K)
(LT)	Grężiant betoną smūginiu režimu	Kirtimo režime	Paklaida (K)

